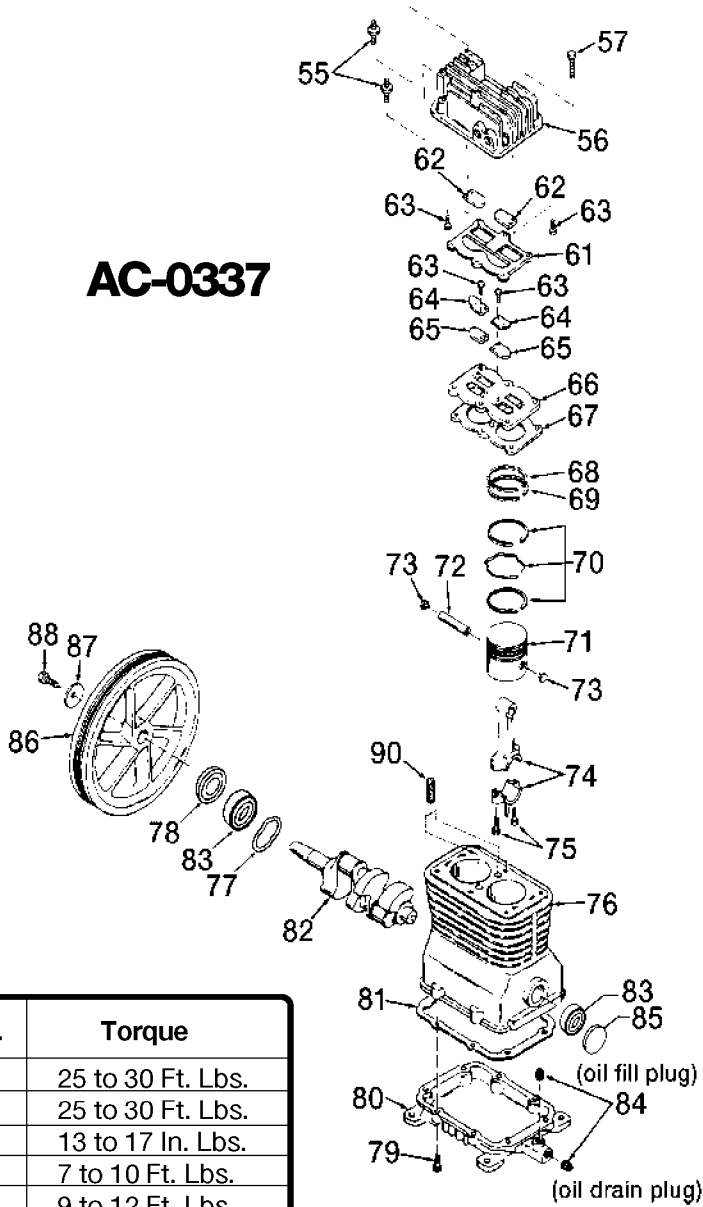
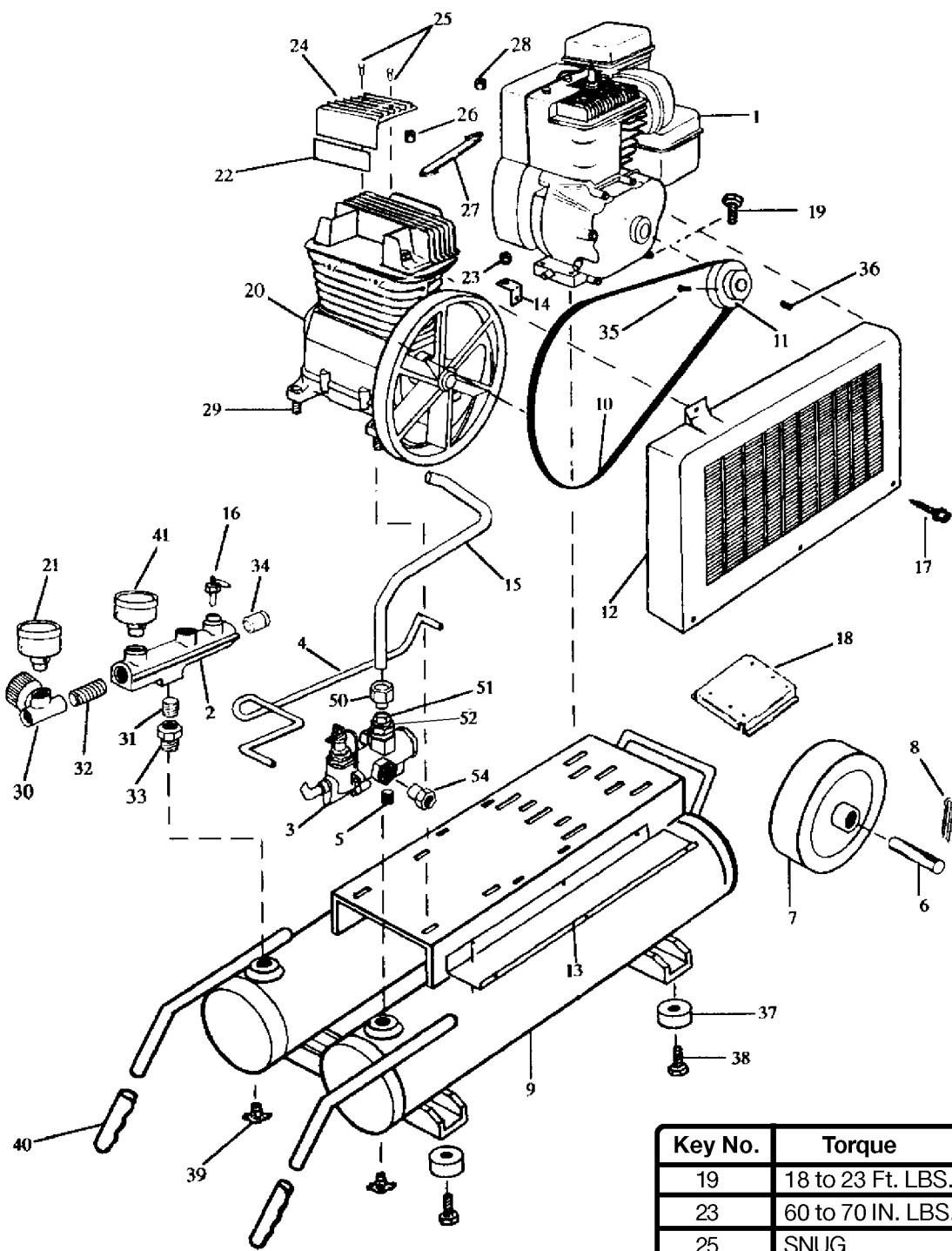


# AC-0337



Key No.	Torque
55	25 to 30 Ft. Lbs.
57	25 to 30 Ft. Lbs.
63	13 to 17 In. Lbs.
75	7 to 10 Ft. Lbs.
79	9 to 12 Ft. Lbs.
88	15 to 20 Ft. Lbs.

**Recommended Oils - One Stage Compressor Units**  
 Use a compressor oil such as SAE 20-20W SF motor oil. (Crankcase oil capacity is 16 fluid ounces.) Under extreme winter conditions use 10 weight oil. Multiviscosity oil, 10W30, will leave carbon deposits on critical components, reducing performance and compressor life.



Key No.	Torque
19	18 to 23 Ft. LBS.
23	60 to 70 IN. LBS.
25	SNUG
26	17 to 23 FT. LBS.
28	17 to 23 FT. LBS.
29	15 to 20 Ft. Lbs.
35	70 to 80 IN. LBS.
38	SNUG

## Parts List for SDS5G8D Type 0

Item Number	Part Number	Description	Qty Required
1	000000-00	No Longer Available	1
2	CAC-95	MANIFOLD	1
3	DAC-237	VALVE UNLOADER # 125	1
4	000000-00	No Longer Available	1
5	000000-00	No Longer Available	1
6	DAC-138	AXLE WHEELBARROW	1
7	000000-00	No Longer Available	1
8	000000-00	No Longer Available	2
9	000000-00	No Longer Available	1
10	C-BT-215	BELT 6J 45.8 EFF	1
11	C-PU-2862	PULLEY 6J-SEC 2.80 O	1
12	CAC-87-1	BELTGUARD	1
13	CAC-142	CLOSURE BELTGUARD	1
14	000000-00	No Longer Available	1
15	DAC-203	TUBE OUTLET O/L WB	1
16	TIA-4150	VALVE SAFETY 150 .25	1
17	SSF-953-ZN	SCREW #10X.625 HHW S	1
18	000000-00	No Longer Available	1
19	D22996	SCREW .313-18X1.50 U	4
20	000000-00	No Longer Available	1
21	Z-D23004	GAUGE 1.5OD 200PSI .	1
22	265-17	FILTER FELT	1
23	SSF-8113-ZN	NUT .375-16X.563 HEX	1
24	000000-00	No Longer Available	1
25	5140123-08	SCREW	2
26	SSF-8111-ZN	NUT .375-16 HEX WHIZ	1
27	000000-00	No Longer Available	1

## Parts List for SDS5G8D Type 0

Item Number	Part Number	Description	Qty Required
28	SSF-8150	NUT .312-18 UNC HEX	1
29	SSF-928	SCREW .313-18X.875 H	4
30	CAC-4296-1	REGULATOR 3PORT P2 L	1
31	000000-00	No Longer Available	1
32	N044990	NIPPLE CLOSE 1/4-18	1
33	SSP-1142	REDUCER 7/8 HEX NIPP	1
34	SS-3222-CD	PLUG PIPE	1
35	SS-391	SCREW .250-20 .625 S	1
36	000000-00	No Longer Available	1
37	SST-5314-1	BUMPER RECESS RUBBER	1
38	SSF-925	SCREW .250-20X.875 H	1
39	N286039	DRAIN VALVE	1
40	000000-00	No Longer Available	1
41	Z-D23004	GAUGE 1.5OD 200PSI .	1
50	SSP-7812	ASSY NUT SLEEVE 1/2	2
51	SSP-1142	REDUCER 7/8 HEX NIPP	1
52	SS-8553	CONNECTOR BODY	1
54	000000-00	No Longer Available	1
55	SSF-6627	STUD SHOULDER 3/8-16	2
56	Z-CAC-4213	ASSY HEAD	1
57	SSF-955	SCREW .375-16X1.50 H	4
61	5140118-80	GASKET	1
62	KK-4275	KIT VALVE	1
63	KK-4275	KIT VALVE	1
64	CAC-294	PLATE RESTRICTOR	2
65	KK-4275	KIT VALVE	1
66	Z-CAC-4212-1	ASSY VALVE PLATE	1

## Parts List for SDS5G8D Type 0

Item Number	Part Number	Description	Qty Required
67	5140118-79	GASKET	1
68	000000-00	No Longer Available	1
69	000000-00	No Longer Available	1
70	000000-00	No Longer Available	1
71	CAC-55-1	PISTON MACHINE DWG 2	1
72	265-19	PIN PISTON	2
73	CAC-207	PLUG PISTON PIN	1
74	265-410	ASSY CONNECTING ROD	1
75	SSF-927	SCREW .250-20X1.125	4
76	Z-AC-0205	CRANKCASE & CYLINDER	1
77	SSN-1018	WASHER WAVY SPRING 2	1
78	AC-0169	SEAL OIL	1
79	SSF-925	SCREW .250-20X.875 H	8
80	000000-00	No Longer Available	1
81	265-16-1	GASKET BASE	1
82	Z-D22270	CRANKSHAFT MACH BALL	1
83	SST-104	BEARING 6205C3	2
84	SSP-486	PLUG PIPE 3/8 - 18 N	2
85	SSP-505	PLUG 52MM OIL	1
86	265-2	FLYWHEEL 10 OD CI PO	1
87	SSN-1014-ZN	WASHER .339/.344 ID	1
88	SSF-3039-ZN	SCREW .313-18X.750 H	1
90	265-6	VENT FILTER	2
856	000000-00	No Longer Available	1
856	000000-00	No Longer Available	1
856	5140123-08	SCREW	1
856	5140118-37	GASKET KIT	1

## Parts List for SDS5G8D Type 0

Item Number	Part Number	Description	Qty Required
856	265-17	FILTER FELT	1
856	39124607	SCREW .250-20X.625 H	6
856	KK-4275	KIT VALVE	1
856	265-18	RETAINER FILTER	1