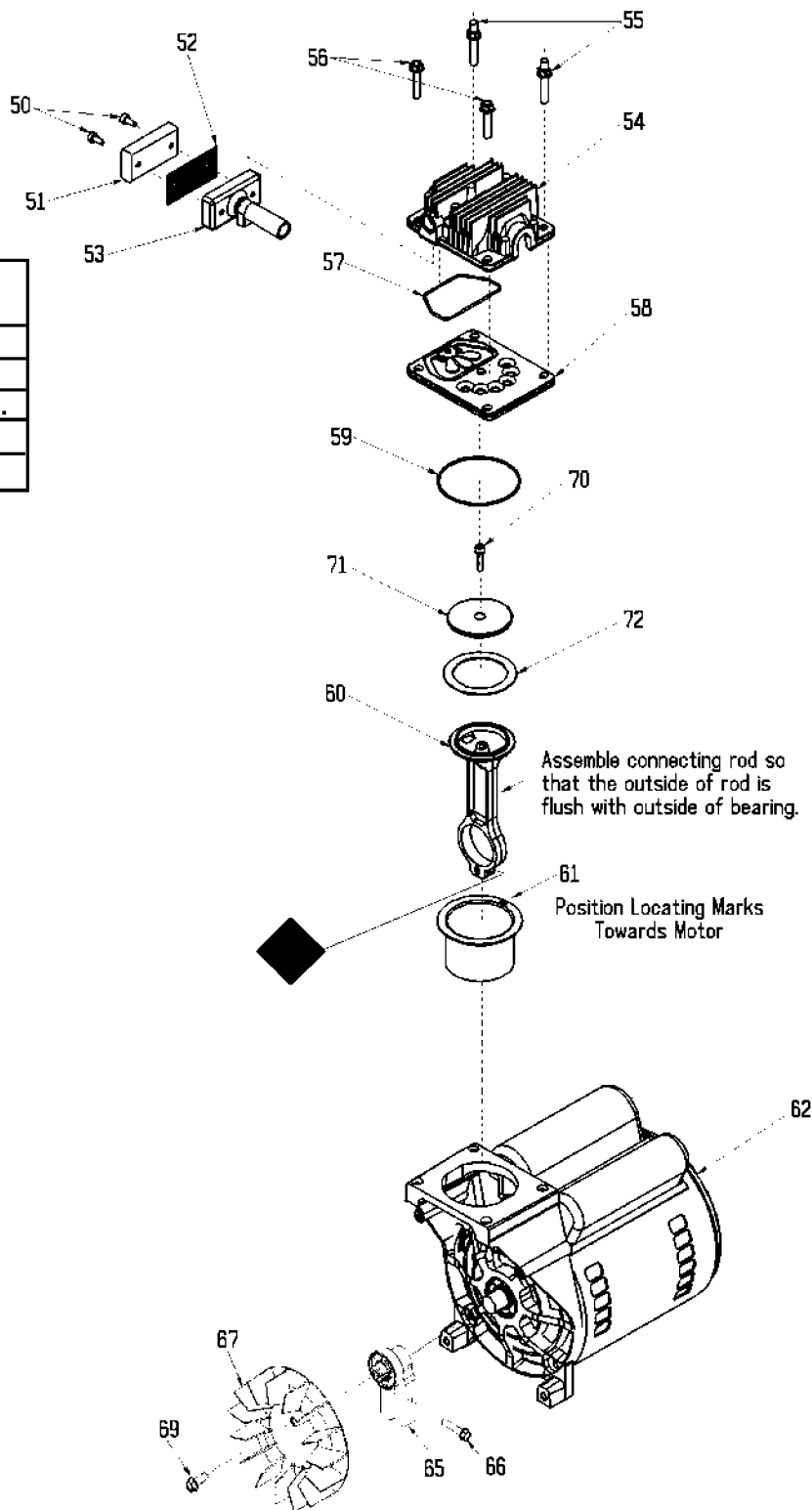


Key#	Torque Diagram
5	Torque 100-120 in. lbs.
10	Torque 90-105 in. lbs.
15	Torque Snug
16	Torque 100-120 in. lbs.
19	Torque 75-90 in. lbs.
29	Torque 50-60 in. lbs.



KEY NO.	TORQUE
55	7 to 10 Ft. Lbs.
56	7 to 10 Ft. Lbs.
66	100 to 120 In. Lbs.
69	80 to 100 In. Lbs.
◆	42 to 48 In. Lbs.

## Parts List for SDSC150E4TTD Type 1

Item Number	Part Number	Description	Qty Required
1	000000-00	No Longer Available	1
2	000000-00	No Longer Available	1
3	CAC-1121	BRACKET SHROUD	1
4	000000-00	No Longer Available	1
5	SSP-6050	CONNECTOR MALE 1/4NP	1
6	000000-00	No Longer Available	4
7	SUDL-403-1	ASSY CORD POWER SJT	1
8	TIA-4150	VALVE SAFETY 150 .25	1
9	A19711	VALVE CHECK 1/2NPT X	1
10	SSF-928	SCREW .313-18X.875 H	2
11	SSG-3105	ORING 306/296ID 073/	1
12	SSP-7821-1	NUT .563-18 UNF HEX	1
13	5130039-00	SLEEVE	1
14	000000-00	No Longer Available	1
15	SSF-928	SCREW .313-18X.875 H	4
16	SSP-7813	ASSY NUT SLEEVE 3/8	1
17	33821-00	BUSHING	2
17	438010040063	HEYCO BUSHINGS	1
18	SST-5314-1	BUMPER RECESS RUBBER	4
19	SSF-925	SCREW .250-20X.875 H	4
20	000000-00	No Longer Available	1
21	SSP-7811	ASSY NUT SLEEVE 1/4	1
22	N044990	NIPPLE CLOSE 1/4-18	1
23	000000-00	No Longer Available	1
24	000000-00	No Longer Available	1
25	A18885	GAUGE	1
26	Z-D23004	GAUGE 1.5OD 200PSI .	1

## Parts List for SDSC150E4TTD Type 1

Item Number	Part Number	Description	Qty Required
27	CAC-4296-1	REGULATOR 3PORT P2 L	1
28	N053094	NIPPLE	1
29	038738-00	NUT	2
30	N286039	DRAIN VALVE	2
32	330016-13	WASHER	2
50	KK-4981	KIT MUFFLER FILTER	1
51	DAC-143	FILTER INTAKE	1
52	KK-4981	KIT MUFFLER FILTER	1
53	KK-4981	KIT MUFFLER FILTER	1
54	000000-00	No Longer Available	1
55	SSF-589	STUD 1/4 - 20 X 1.12	1
56	SSF-927	SCREW .250-20X1.125	1
57	ACG-45	ORING P/L HEAD	1
58	Z-AC-0032	ASSY VALVE PLATE	1
59	SSG-8156	ORING 2.759/2.719ID	1
60	KK-4835	KIT CONNECTING ROD L	1
61	KK-4835	KIT CONNECTING ROD L	1
62	000000-00	No Longer Available	1
65	Z-AC-0140	ASSY ECCENTRIC BEARI	1
66	SSF-990	SCREW .250-20X1.25 U	1
67	AC-0108	FAN 5.75 DIA	1
69	SSF-586	SCREW .250-20X.750 U	1
70	KK-4835	KIT CONNECTING ROD L	1
71	KK-4835	KIT CONNECTING ROD L	1
72	KK-4835	KIT CONNECTING ROD L	1
856	KK-4835	KIT CONNECTING ROD L	1
856	KK-4981	KIT MUFFLER FILTER	1

## Parts List for SDSC150E4TTD Type 1

Item Number	Part Number	Description	Qty Required
856	K-0650	KIT COMP RING REPLAC	1
856	KK-4315	KIT VALVE REPLACEMEN	1