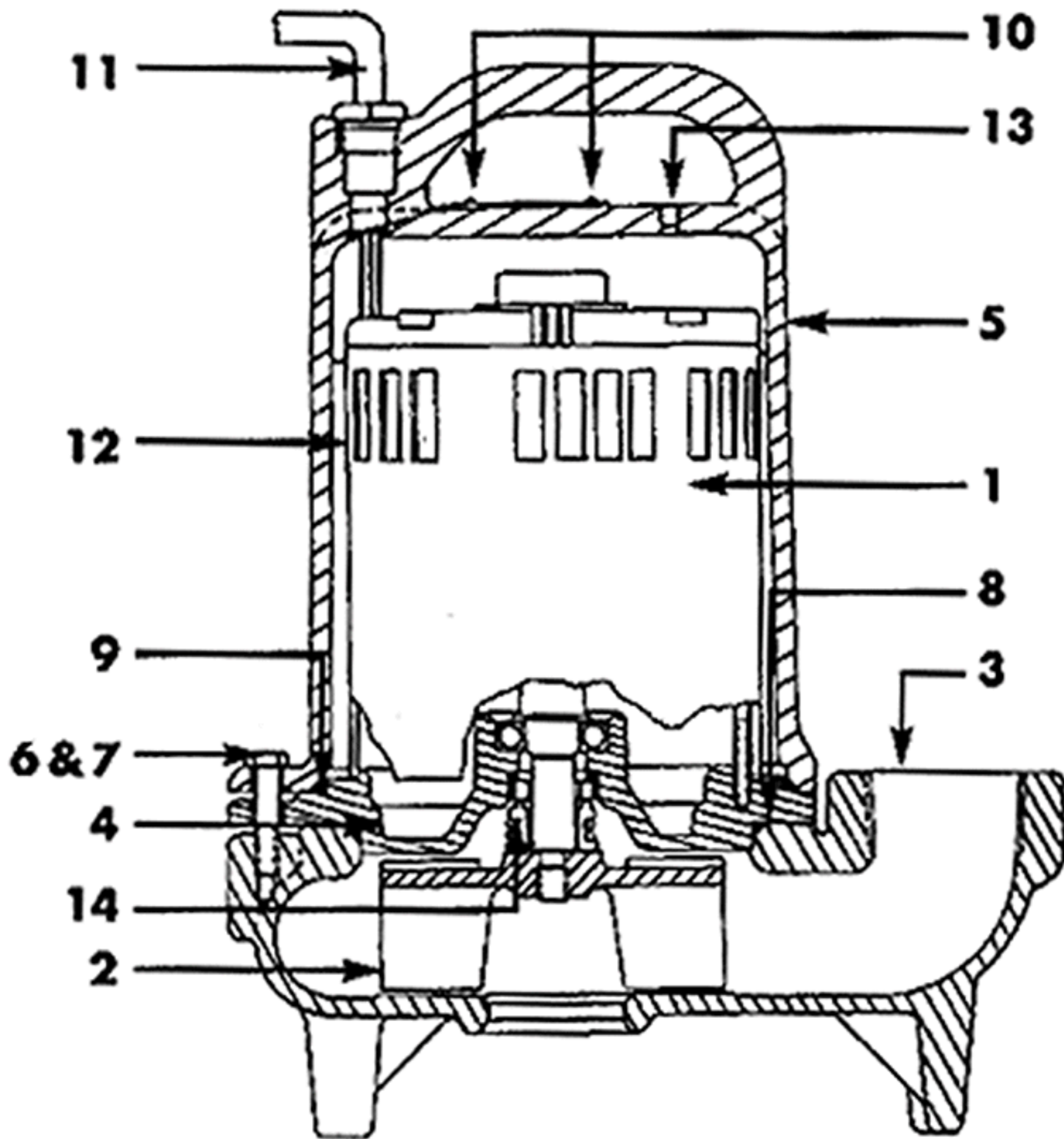


## Ridgid SEC-400 Sewage Pump



Key No.	Part Number	Details
1	90312	<i>not available online</i>
2	90322	<i>not available online</i>
3	90332	VOLUTE, SEC
4	90337	PLATE, SEC-SEAL
5	90342	HOUSING, SEC-MOTOR
6	90347	BOLT, 3/8-16 X .75 SEC
7	90352	BOLT, 3/8-16 X 1.50 SEC
8	90357	GASKET, SEC SQ RING
9	90362	GASKET, SEC O-RING
10	90367	SCREW, 2 X 3/16 SEC-DRIVE
11	90372	LINECORD, SEC
12	90297	OIL, 1 PT DIELECTRIC
13	90307	PLUG, 1/4 NPT SEP500
14	90377	SEAL, ASM SEC SHAFT
15	90377	SEAL, ASM SEC SHAFT