

**SENCO<sup>®</sup>**

# *SFN30*

## *15 ga. Finish Nailer*

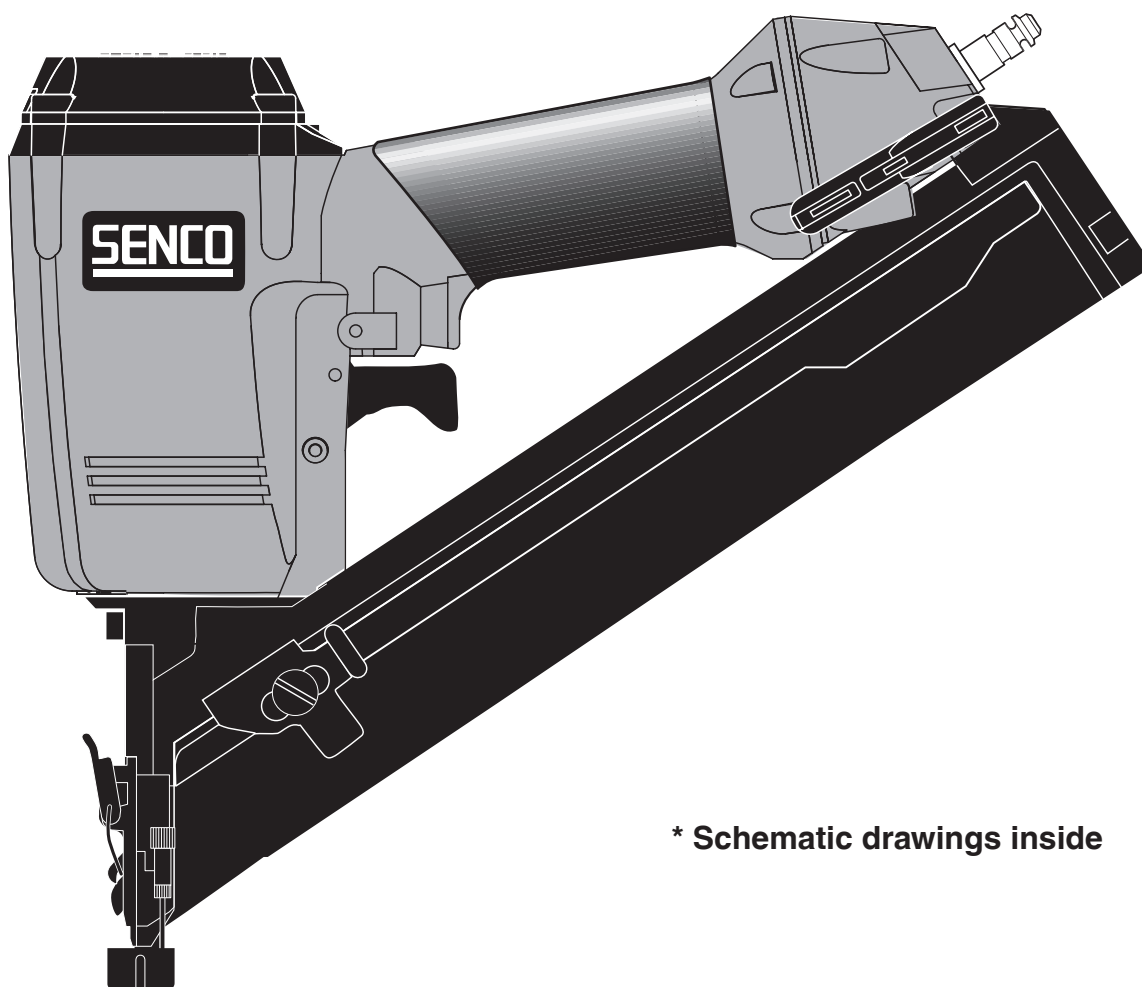


### *Parts Reference Guide*



*Repair Kit*

**YK0368**



\* Schematic drawings inside

*Senco Products, Inc.  
8485 Broadwell Rd.  
Cincinnati, OH 45244*

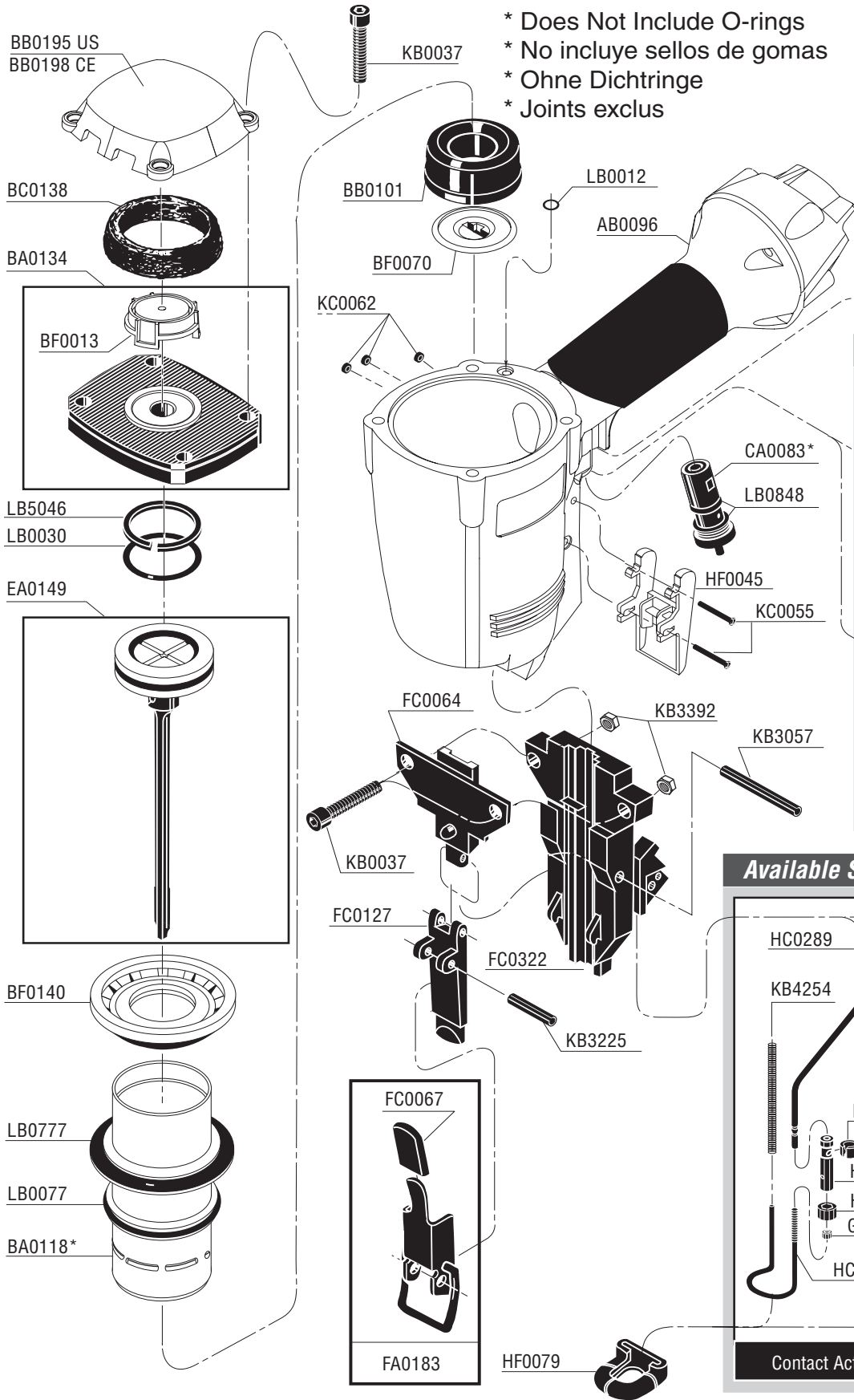
*Visit our Website: [www.senco.com](http://www.senco.com)*

*Questions? Comments? call Senco's toll-free Action-line:  
1-800-543-4596 (North & south America only)  
or e-mail: [toolprof@senco.com](mailto:toolprof@senco.com)*

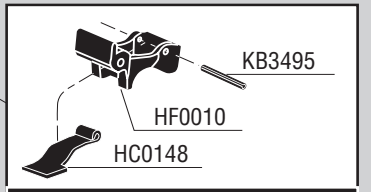
NFG062 Revised August 25, 2006 (Replaces 5/12/06) © 1998, 2006 by Senco Products, Inc. Cincinnati, Ohio 45244 - U.S.A.

- \* Does Not Include O-rings
- \* No incluye sellos de gomas
- \* Ohne Dichtringe
- \* Joints exclus

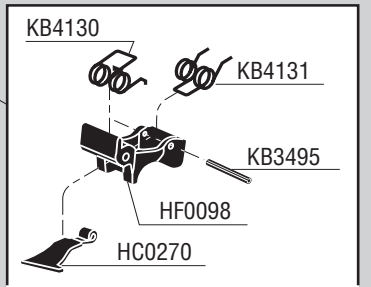
TOOL #	
620002N	Single Sequential w/case
622002N	Contact Actuation w/case
622003N	Single Sequential w/case
623002N	Contact Actuation w/case



### Available Triggers

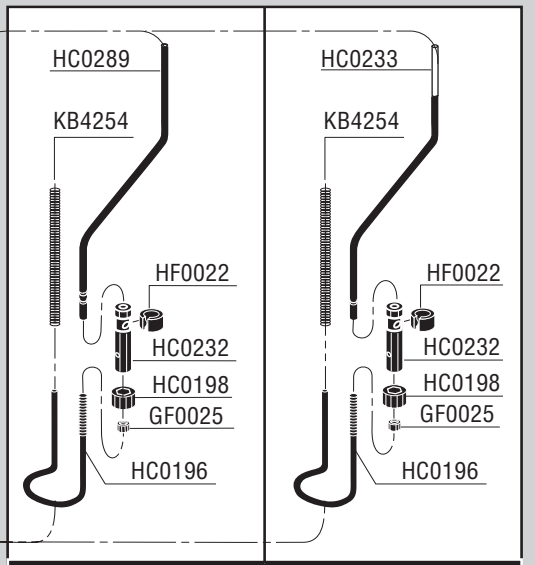


Contact Actuation HA0110



Single Sequential HA0109

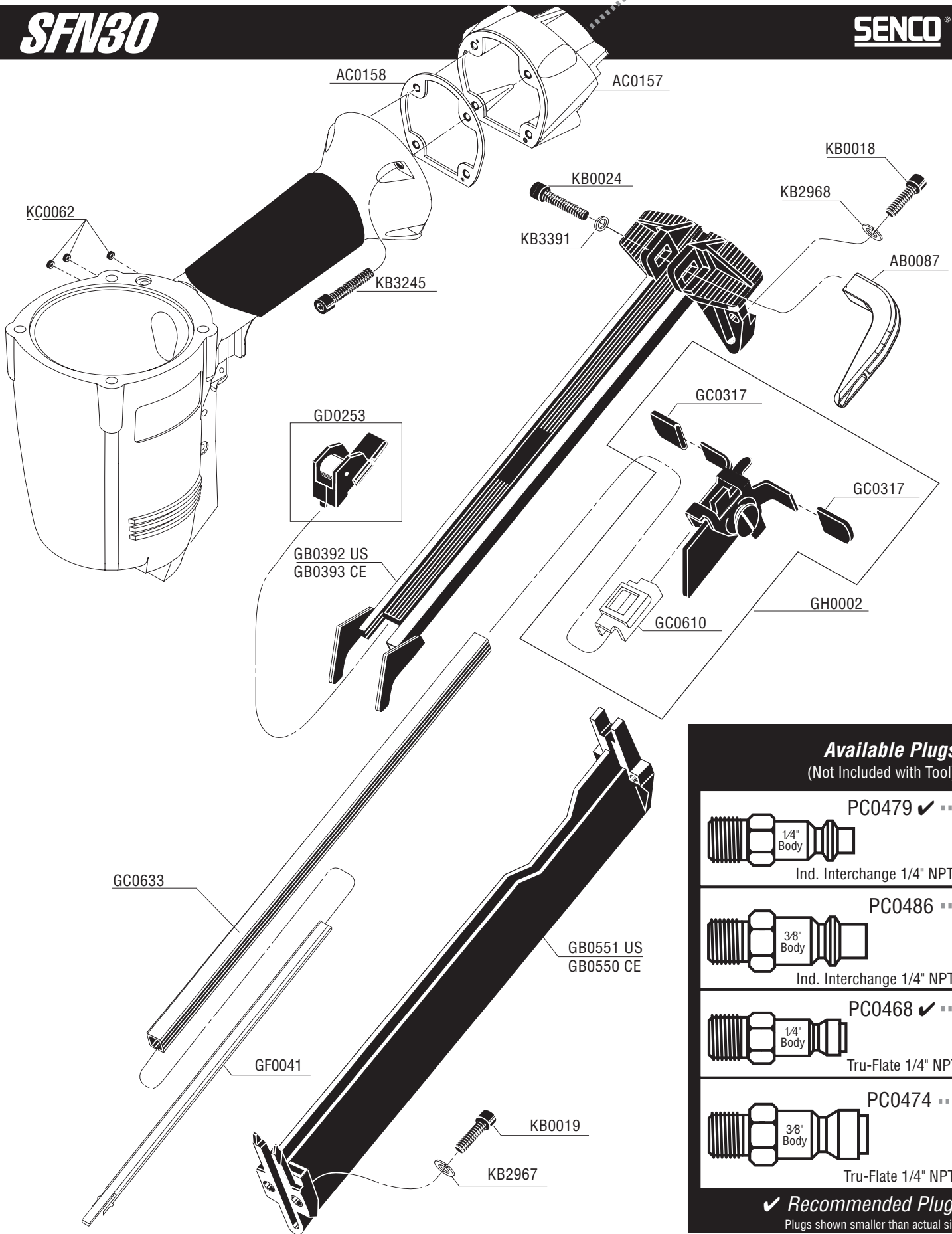
### Available Safety Elements



Contact Actuation Single Sequential

# SFN30


# SENCO®



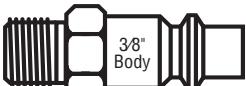
NFG062 Revised August 25, 2006 (Replaces 5/12/06) ©1998, 2006 by SENC0 Products, Inc. Cincinnati, Ohio 45244 - U.S.A.

### Available Plugs


(Not Included with Tool)

- 


**PC0479** ✓

1/4"  
Body  
 Ind. Interchange 1/4" NPT
- 

**PC0486**

3/8"  
Body  
 Ind. Interchange 1/4" NPT
- 

**PC0468** ✓

1/4"  
Body  
 Tru-Flate 1/4" NPT
- 

**PC0474**

3/8"  
Body  
 Tru-Flate 1/4" NPT

✓ **Recommended Plugs**  
 Plugs shown smaller than actual size

PART NO.	DESCRIPTION	DESCRIPCIÓN	BESCHREIBUNG	DÉSIGNATION
AB0087	BELT HOOK	GANCHO DE CINTURÓN	GURTHAKEN	CROCHET DE CEINTURE
AB0096	MAIN BODY ASSEMBLY	ASAMBLE DE CARCASA	GEHÄUSE-ZUSAMMENBAU	CORPS D'ASSEMBLÉE
AC0157	CAP	TAPA	KAPPE	BOUCHON
AC0158	GASKET	JUNTA	DICHTUNG	JOINT
BA0118	CYLINDER	CILINDRO	ZYLINDER	CYLINDRE
BA0134	VALVE ASSEMBLY	ASAMBLE DE VALVULA	VENTIL-ZUSAMMENBAU	VALVE D'ASSEMBLÉE
BB0101	STOP	TOPE	PUFFER	ARRÊT
BB0195	DEFLECTOR (US)	DEFLECTOR	ABWEISER	DÉFLECTEUR
BB0198	DEFLECTOR (CE)	DEFLECTOR	ABWEISER	DÉFLECTEUR
BC0138	MUFFLER	SILENCIADOR	DÄMPFER	SILENCIEUX
BF0013	SEAL	SELLO	DICHTUNG	JOINT
BF0070	SEAL	SELLO	DICHTUNG	JOINT
BF0140	RETAINER	JUNTA TÓRICA	SICHERUNGSRING	RETENUE
CA0083	VALVE ASSEMBLY	ASAMBLE DE VALVULA	VENTIL-ZUSAMMENBAU	VALVE D'ASSEMBLÉE
EA0149	DRIVER ASSEMBLY	ASAMBLE DE PERCUSOR	TREIBER-ZUSAMMENBAU	COUPEAU D'ASSEMBLÉE
FA0183	LATCH ASSEMBLY	ASAMBLE DE UÑETA	VERSCHLUSS-ZUSAMMENBAU	DOIGT DE RETENUE D'ASSEMBLÉE
FC0064	PLATE	PLACA	PLATTE	PLAQUE
FC0067	FINGER GRIP	AGARRADERO	FINGERGRIF	GAINÉ EN CAOUTCHOUC
FC0127	DOOR	PUERTA	ABDECKSCHIEBER	PORTE
FC0322	GUIDE BODY	PLACA DE NARIZ	NAGELFÜHRUNG	FRONT
GB0550	LOWER RAIL (CE)	CARRIL INFERIOR	UNTERSCHIENE	RAIL INFÉRIEUR
GB0551	LOWER RAIL (US)	CARRIL INFERIOR	UNTERSCHIENE	RAIL INFÉRIEUR
GB0392	SHROUD (US)	PROTECTOR	ABDECKUNG	CACHE
GB0393	SHROUD (CE)	PROTECTOR	ABDECKUNG	CACHE
GC0317	FINGER GRIP	AGARRADERO	FINGERGRIF	GAINÉ EN CAOUTCHOUC
GC0610	INSERT	ACOPLAMIENTO	EINSATZ	INSERT
GC0633	UPPER RAIL	CARRIL SUPERIOR	OBERSCHIENE	RAIL SUPÉRIEUR
GD0253	FEEDER SPRING ASSY.	ENSEMBLAGE DEL ALIMENTADOR	ROLLFEDER	RESSORT DE POUSSOIR
GF0025	BUMPER	AMORTIGUADOR	PUFFER	AMORTISSEUR
GF0041	RAIL	CARRIL	SCHIENE	RAIL
GH0002	FEEDER SHOE ASSY.	ASAMBLE DE ALIMENTADOR	NAGELSCHIEBER-ZUSAMMENBAU	POUSSOIR D'ASSEMBLÉE
HA0109	TRIGGER ASSEMBLY	ASAMBLE DE GATILLO	AUSLÖSER-ZUSAMMENBAU	GACHETTE D'ASSEMBLÉE
HA0110	TRIGGER ASSEMBLY	ASAMBLE DE GATILLO	AUSLÖSER-ZUSAMMENBAU	GACHETTE D'ASSEMBLÉE
HC0148	TRIGGER	GATILLO	AUSLÖSER	GACHETTE
HC0196	SAFETY ELEMENT (LOWER)	SEGURO DE INFERIOR	UNTERSICHERHEITSVORRICHTUNG	SÉCURITÉ EN DESSOUS
HC0198	WHEEL	MANIVELA	RÄNDELSCHRAUBE	MOLETTE
HC0232	LINK	VARILLA DE CONEXIÓN	GESTÄNGE	BIELLETTÉ
HC0233	SAFETY ELEMENT (UPPER)	SEGURO DE SUPERIOR	OBERSICHERHEITSVORRICHTUNG	SÉCURITÉ EN DESSUS
HC0270	TRIGGER	GATILLO	AUSLÖSER	GACHETTE
HC0289	SAFETY ELEMENT (UPPER)	SEGURO DE SUPERIOR	OBERSICHERHEITSVORRICHTUNG	SÉCURITÉ EN DESSUS
HF0010	TRIGGER	GATILLO	AUSLÖSER	GACHETTE
HF0022	RETAINER	JUNTA TÓRICA	SICHERUNGSRING	RETENUE
HF0045	COVER	CUBIERTA	ABDECKUNG	COUVERCLE
HF0079	CUSHION	AMORTIGUADOR	SCHUTZ	COUSSIN
HF0098	TRIGGER	GATILLO	AUSLÖSER	GACHETTE
KB0018	SCREW	TORNILLO	SCHRAUBE	VIS
KB0019	SCREW	TORNILLO	SCHRAUBE	VIS
KB0024	SCREW	TORNILLO	SCHRAUBE	VIS
KB0037	SCREW	TORNILLO	SCHRAUBE	VIS
KB2967	WASHER	ARANDELA	SCHEIBE	RONDELLE
KB2968	WASHER	ARANDELA	SCHEIBE	RONDELLE
KB3057	PIN	PASADOR	STIFT	GOUPILLE
KB3225	PIN	PASADOR	STIFT	GOUPILLE
KB3245	SCREW	TORNILLO	SCHRAUBE	VIS
KB3320	PIN	PASADOR	STIFT	GOUPILLE
KB3391	WASHER	ARANDELA	SCHEIBE	RONDELLE
KB3392	NUT	TUERCA	MUTTER	ÉCROU
KB3495	PIN	PASADOR	STIFT	GOUPILLE
KB4130	SPRING	MUELLE	FEDER	RESSORT
KB4131	SPRING	MUELLE	FEDER	RESSORT
KB4254	SPRING	MUELLE	FEDER	RESSORT
KC0055	PIN	PASADOR	STIFT	GOUPILLE
KC0062	RETAINER	JUNTA TÓRICA	SICHERUNGSRING	RETENUE
LB0012	SEAL	SELLO	DICHTUNG	JOINT
LB0030	SEAL	SELLO	DICHTUNG	JOINT
LB0077	SEAL	SELLO	DICHTUNG	JOINT
LB0777	SEAL	SELLO	DICHTUNG	JOINT
LB0848	SEAL	SELLO	DICHTUNG	JOINT
LB5046	SEAL	SELLO	DICHTUNG	JOINT