

DUO-FAST

NAILERS STAPLERS FASTENERS

7/16" Crown Pneumatic Staplers

SM-7648 SM-7664

1015002

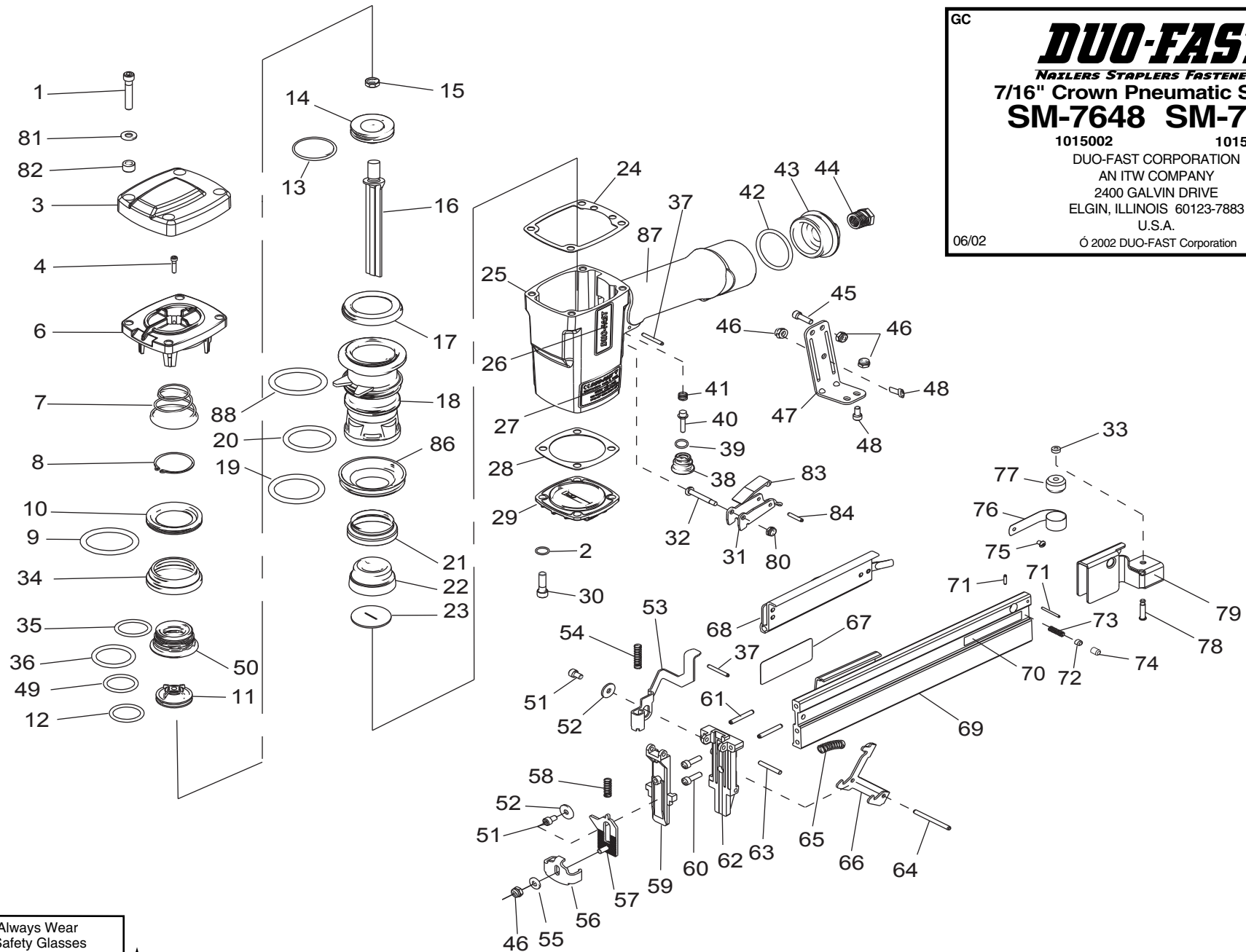
1015003

DUO-FAST CORPORATION
 AN ITW COMPANY
 2400 GALVIN DRIVE
 ELGIN, ILLINOIS 60123-7883
 U.S.A.

06/02

© 2002 DUO-FAST Corporation

SM-186-1



Always Wear
 Safety Glasses



When Using
 Power Tools

XA-1011 CLEAR
 XA-1022 TINTED

▲ DENOTES CHANGE

TOOLS MUST BE REPAIRED ONLY
 WITH FACTORY AUTHORIZED PARTS
 SIEMPRE REPRE LAS HERRAMIENTAS
 SOLAMENTE CON PARTES DE REPUESTO
 AUTORIZADAS POR DUO-FAST

SM-7648 SM-7664

Parts Legend SM 7648, SM 7664

Key	Eurocode	Qty	Description	Key	Eurocode	Qty	Description	Key	Eurocode	Qty	Description
1	091362	4	S.H.C.S., 1/4-20 x 1-1/2" SM 7648	▲30	009041	4	Socket Head Capscrew	60	404232	2	S.H.C.S 8-32 x 13/16"
	404229	4	S.H.S.C.1/4-20 x 2-1/4" SM7664	31	405144	1	Trigger	61	404698	2	Roll Pin Assembly
2	002187	8	Loek Washer, 1/4"	32	402079	1	Pin, Trigger	62	403852	1	Back Plate SM 7648
3	404242	1	Air Diffuser	33	402668	1	Retaining Washer		403459	1	Back Plate SM 7664
▲4	006310	1	S.H.C.S.6-32 x 1/2" A	34	404054	1	Seal Main Valve	63	402730	1	Pivot Pin, Front Guide
6	402704	1	Cap SM 7648	*35	090927	1	O-Ring	64	092176	1	Roll Pin, 5/32" Dia. x 1-3/8" Lg
	402705	1	Cap SM7664	*36	092775	1	O-Ring	65	405078	1	Spring, Front Guide Latch
7	402717	1	Conical Spring	37	026133	2	Roll Pin, 1/8" Dia. x 1" Lg.		405079	1	Spring, Front Guide Latch
8	404230	1	Retaining Ring	38	401958	1	Valve Body	66	402789	1	Latch, Front Guide SM 7648
9	091537	1	O-Ring, Main Valve Assembly	*39	092174	1	O- Ring, Valve Body		403206	1	Latch, Front Guide SM 7664
10	404122	1	Upper Valve Piston	40	097746	1	Valve Pin	67	500459	1	Warning Sign
11	404055	1	Post, Main Valve	41	097748	1	Spring, Valve Pin	68	402780	1	Pivoting Rail Cover Ass'y SM 7648
*12	404256	1	O-Ring, Main Valve Post	42	091591	1	O-Ring, End Plug		402749	1	Pivoting Rail Cover Ass'y SM 7664
*13	402723	1	O-Ring, Piston SM 7648	▲43	401940	1	End Plug	69	403508	1	Rail and Rail Cover Ass'y SM 7648
14	403563	1	Piston	44	091622	1	Reducing Pipe Bushing		402518	1	Rail and Rail Cover Ass'y SM 7664
15	403582	1	Jam Nut (3200/50 116P, 116PO)	45	004502	4	Socket Head Capscrew, #10-32 x 5/8	70	402731	1	Logo, Rail
*16	404021	1	Driver Blade SM7648	46	092037	4	Lock Nut, #10-32	71	402740	2	Roll Pin, 3/32" Dia x 7/16" Lg
	403726	1	Driver Blade SM7664	47	402741	1	Rail Bracket SM 7648	72	402798	1	Latch, Follower Butt
17	402725	1	Seal, Sleeve		402781	1	Rail Bracket SM 7664	73	402799	1	Spring, Follower Latch
18	405245	1	Sleeve SM 7648	▲48	004224	3	S.H.C.S 10 - 32 X 3/8	74	402797	1	Retaining Bushing
	405246	1	Sleeve SM 7664	*49	092773	1	O-Ring	75	091568	1	Pan Head Screw, #6-32 x 1/4"
*19	402728	1	O-Ring, Sleeve	50	404056	1	Lower Valve Pistor	*76	091532	1	Negator
*20	402729	1	O-Ring, Sleeve	51	403716	2	S.H.C.S. 10-32 x 1/4"	77	091534	1	Drum, Negator
21	403854	1	Retainer, Bumper	52	402629	2	Hardened Washer	78	402743	1	Pin, Negator Drum
*22	403853	1	Bumper	53	402794	1	Intermediate W. C. E	79	402516	1	Follower
23	402509	1	Seal, Driver Blade	54	402738	1	Spring	80	404325	1	Stop Nut, #8-32
*24	402707	1	Gasket, Cap	55	402736	1	Flat Washer, #10	81	091447	4	Flat Washer
25	402701	1	Housing	56	402793	1	Work Contacting Element SM 7648	82	404243	4	Spaeer, Diffuser
26		2	Logo, Housing (All Models		403207	1	Work Contacting Element SM 7664	83	405147	1	Lever, Trigger
27		1	Nameplate SM 7648	57	402792	1	Upper Work Contacting Elemen	84	005849	1	Roll Pin
		1	Nameplate SM 7664)	58	402734	1	Spring	86	405243	1	Flange, Sleeve
28	402708	1	Gasket, Nose flange	59	403851	1	Front Guide SM7648	87	500488	1	Grip Handle
29	402706	1	Nose flange		403458	1	Front Guide SM 7664	88	091966	1	O-Ring

* Denotes normal wear items.

Make sure warning label (500459) is properly affixed.

Replace if necessary. Label available at no charge through the Service Dept.

▲ Apply Loctite 242 (blue) Part No. 093500