

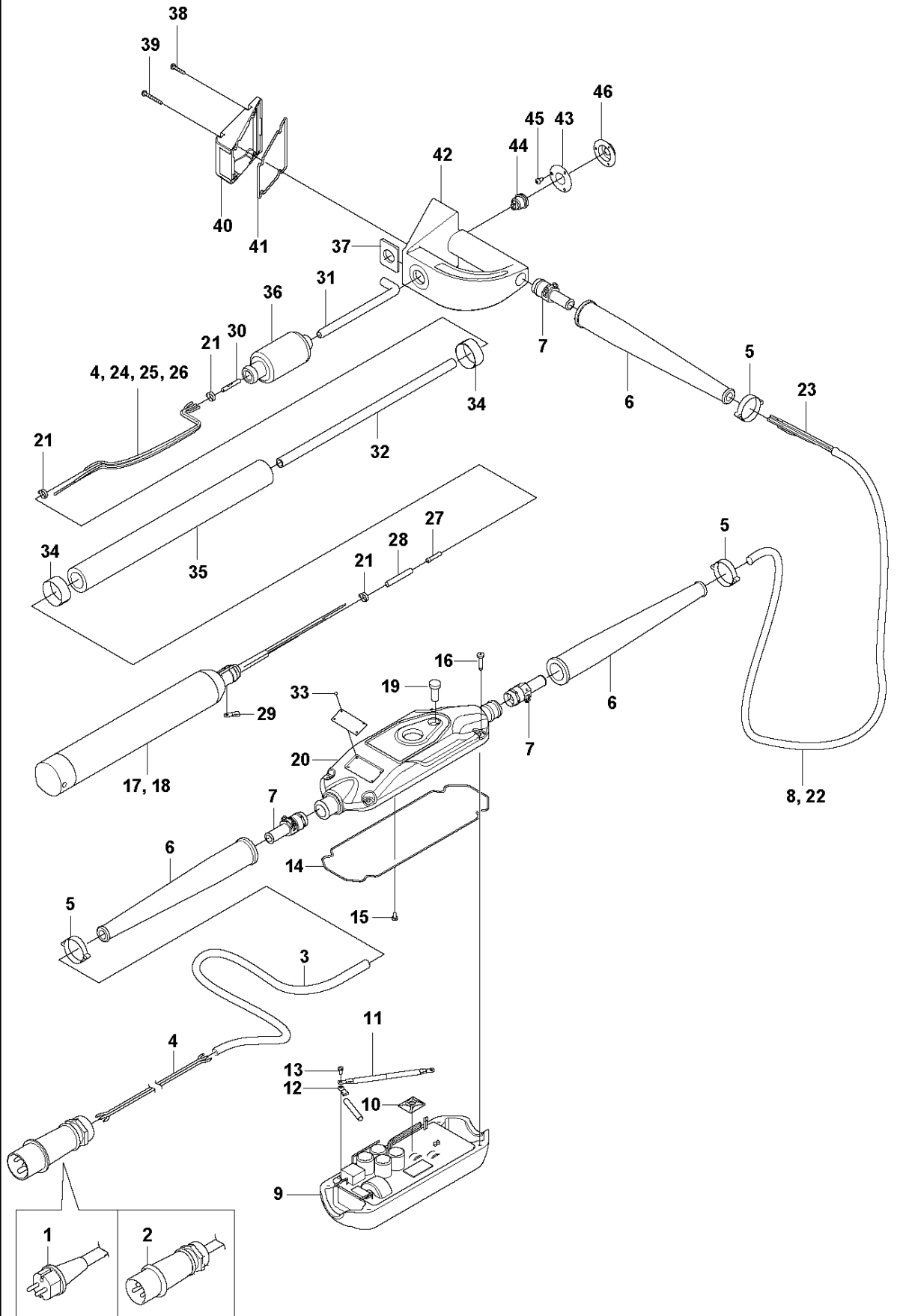


# SPARE PARTS LIST

## POKERS

SMART 48/SMART 48E, 967855904,  
967855905, 967940201, 967940202,  
967940203, 2019-08

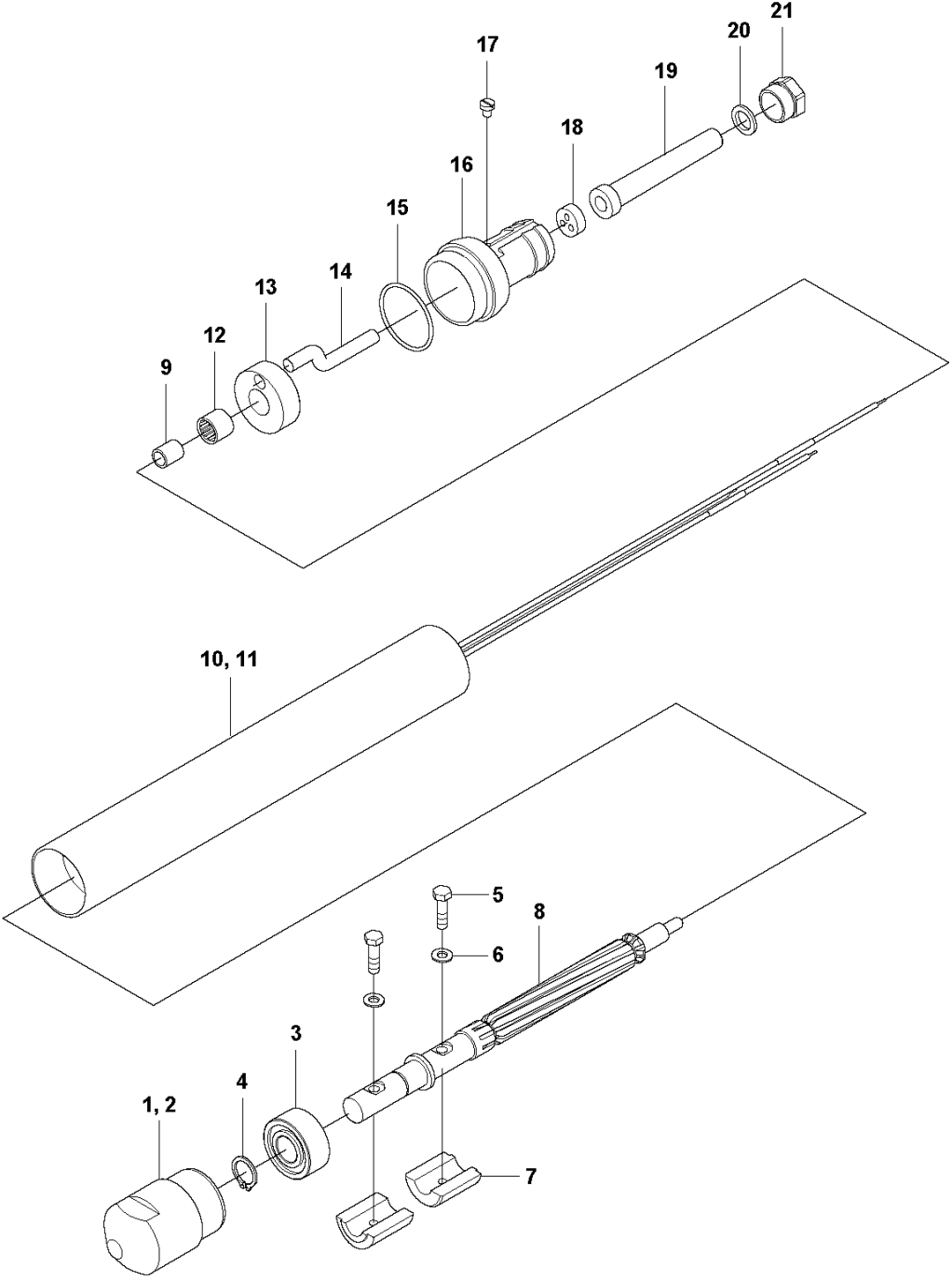
**B** SMART 48E  
PRODUCT COMPLETE



PRODUCT COMPLETE SMART 48/SMART 48E, 967855904, 967855905, 967940201, 967940202, 967940203, 2019-08

Ref	Part No	Description	Remark	QTY KIT
1	594 36 96-01	PLUG	EU plug	1
2	595 16 26-01	PLUG	UK plug	1
3	595 46 89-01	CABLE		1
4	598 47 91-01	WIRE	Red wire	1
5	594 25 52-01	CLAMP		3
6	594 25 68-01	SHEET		3
7	594 61 93-01	PISTON		3
8	594 41 31-02	CABLE	15m, 230V	1
9	594 61 98-01	UNIT		1
10	595 19 65-01	CLIP		1
11	594 63 07-01	WIRE		1
12	594 85 36-01	UNIT		1
13	594 28 61-01	SCREW	M4x8 BRASS DIN84A	1
14	594 62 14-01	O-RING	233x3 NBR 70 shore	1
15	594 62 03-01	SCREW	M4x8 DIN 7500	1
16	594 62 04-01	SCREW	M5x30 DIN 7500C	4
17	594 62 69-01	HEAD	Vibrating head SMART 48 230V	1
18	594 62 70-01	HEAD	Vibrating head SMART 48 115V	1
19	594 62 02-01	HANDLE		1
20	594 62 29-01	COVER		1
21	594 28 64-01	CLAMP		4
22	594 41 31-03	CABLE	10m, 115V	1
23	595 14 59-01	WIRE		2
24	594 28 77-03	CABLE	White wire	1
25	594 28 59-02	WIRE	Blue wire	1
26	594 52 78-03	CABLE	Ground wire, yellow/green	1
27	595 11 85-01	SLEEVE		8
28	594 25 75-01	INSULATION		3
29	594 79 47-01	CLIP		1
30	594 27 67-01	TERMINAL		4
31	594 25 71-01	HOSE		1
32	594 25 49-03	HOSE		1
33	595 14 14-01	RIVET		4
34	594 28 17-01	CLAMP		2
35	594 38 84-04	HOSE		1
36	594 37 71-01	ABSORBER		1
37	594 38 03-01	NUT		1
38	594 50 08-01	SCREW	ST 4,2x25 DIN7971 C	2
39	594 50 09-01	SCREW	ST 4,2x38 DIN7971 C	2
40	594 62 65-01	COVER		1
41	595 04 75-01	O-RING	120.32x2.62 NBR 70 shore	1
42	594 62 25-01	HANDLE		1
43	594 62 00-01	PLATE		1
44	594 62 01-01	SWITCH		1
45	594 62 32-01	SCREW		3
46	594 61 99-01	DIAPHRAGM		1

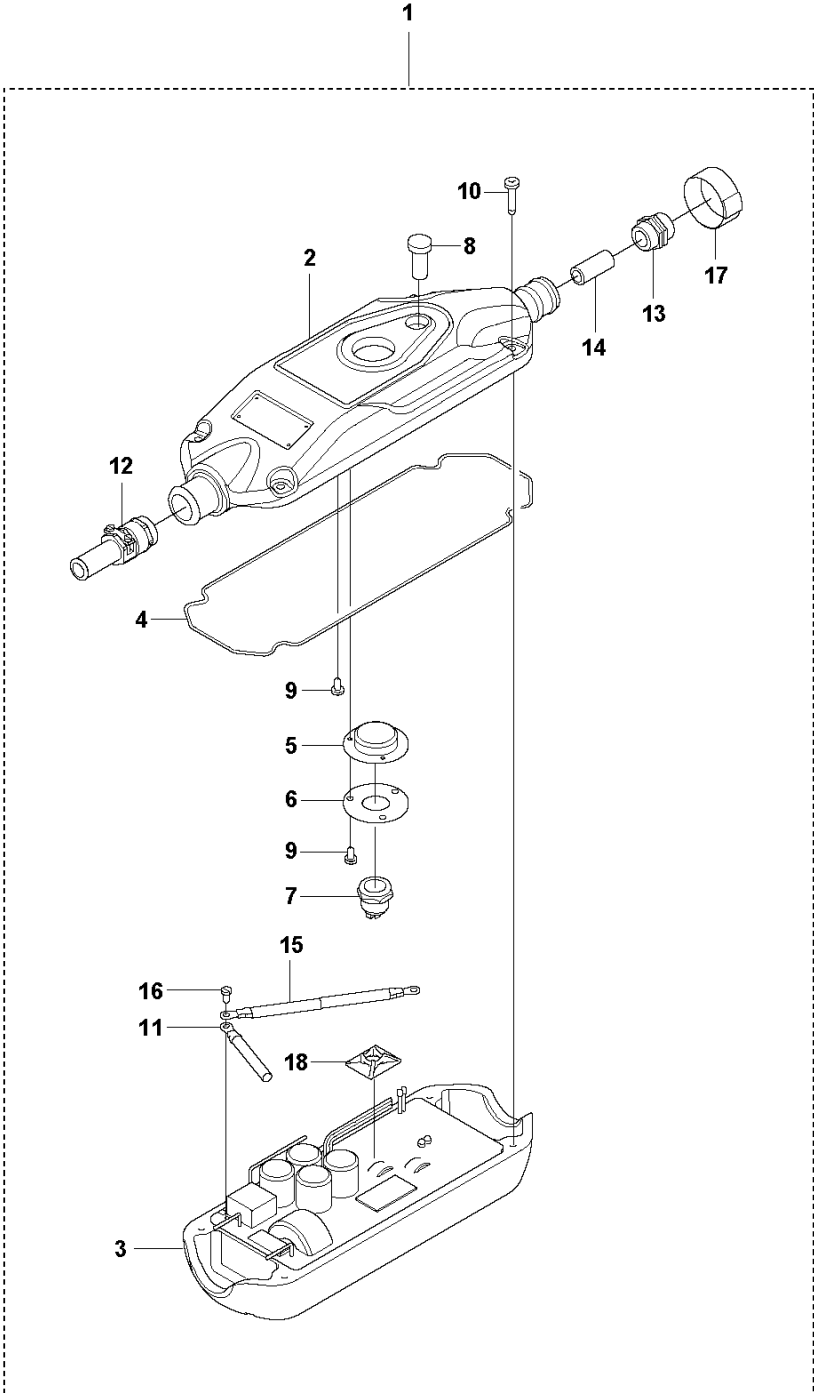
**C** SMART 48 / SMART 48E  
VIBRATOR



VIBRATOR SMART 48/SMART 48E, 967855904, 967855905, 967940201, 967940202, 967940203, 2019-08

Ref	Part No	Description	Remark	QTY KIT
1	594 28 94-01	CAP		1
2	595 15 68-01	CAP	Rubber end cap, optional	1
3	594 28 96-01	BEARING	NUP 2203 E TVP2 C3	1
4	594 28 63-01	RETAINER RING	17x1.5 DIN471	1
5	595 46 63-01	SCREW	M6x25 ISO4017 8.8 A2K	2
6	594 39 94-01	WASHER	ZM6 NFE25-511 FZB	2
7	595 52 36-01	EXCENTER		2
8	594 28 95-01	ROTOR		1
9	594 27 23-01	BUSHING		1
10	594 62 17-01	TUBE	Stator, complete 230 V	1
11	595 19 64-01	TUBE	Stator, complete 115 V	1
12	594 27 22-01	BEARING	HK 1012 B	1
13	594 26 50-01	BEARING		1
14	594 27 78-02	HOSE		1
15	594 26 69-01	O-RING	35x2 NBR 70 shore	1
16	594 26 49-01	NIPPLE		1
17	594 27 27-01	SCREW	M4x5 BRASS DIN84A	1
18	594 28 90-01	GASKET		1
19	594 29 04-01	PROTECTION		1
20	594 28 75-01	RING		1
21	594 28 73-01	SCREW		1

**D** SMART 48 / SMART 48E  
ELECTRONIC CONVERTER

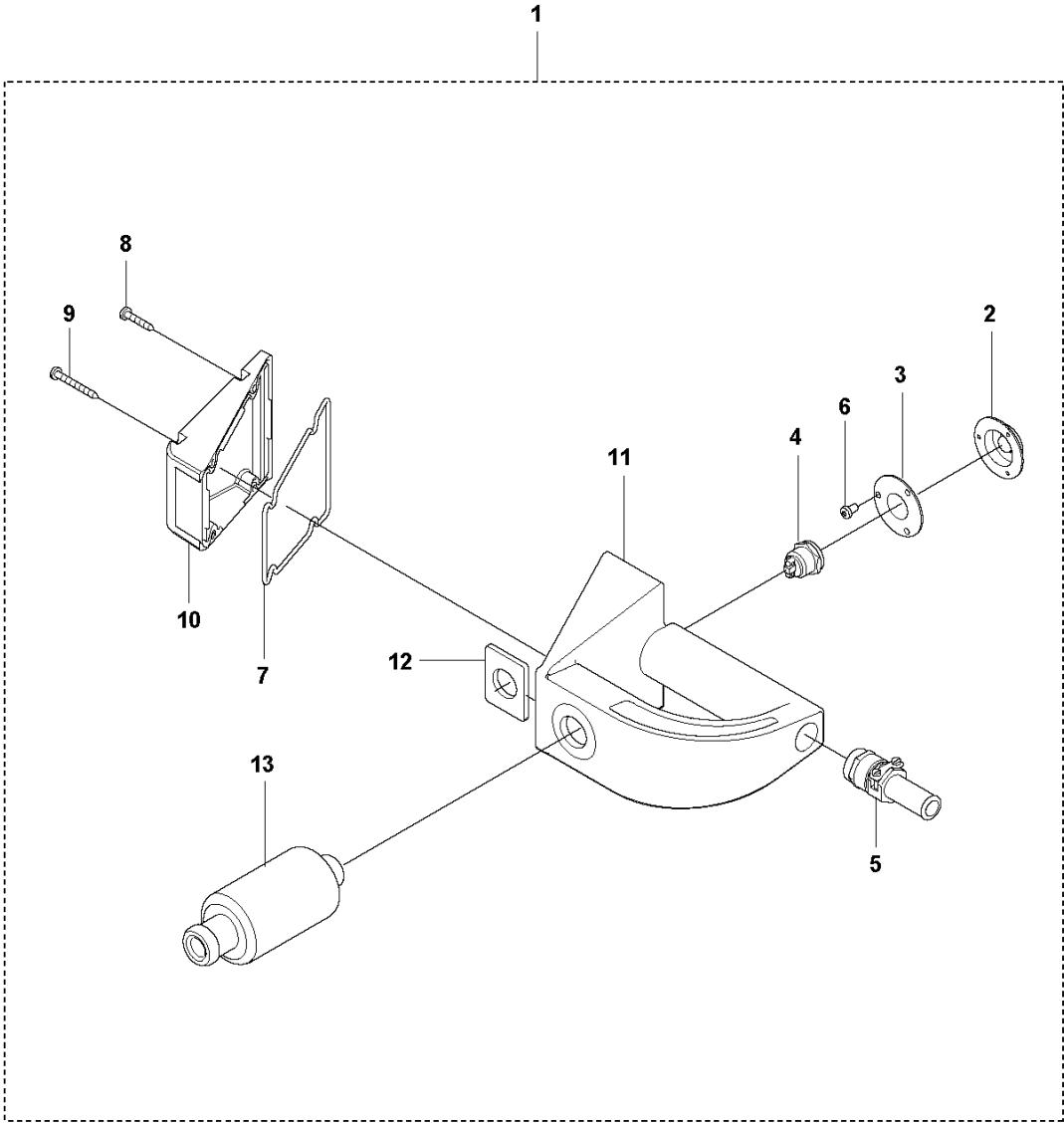


ELECTRONIC CONVERTER  
 967940202, 967940203, 2019-08

SMART 48/SMART 48E, 967855904, 967855905, 967940201,

Ref	Part No	Description	Remark	QTY KIT	
1	598 48 80-01	ELECTRONIC BOX	Kit without cable	1	
2	594 62 30-01	COVER		1	1
3	594 61 98-01	UNIT		1	1
4	594 62 14-01	O-RING	233x3 NBR 70 shore	1	1
5	594 61 99-01	DIAPHRAGM		1	1
6	594 62 00-01	PLATE		1	1
7	594 62 01-01	SWITCH		1	1
8	594 62 02-01	HANDLE		1	1
9	594 62 03-01	SCREW	M4x8 DIN 7500	4	1
10	594 62 04-01	SCREW	M5x30 DIN 7500C	4	1
11	594 85 36-01	UNIT		1	1
12	594 61 93-01	PISTON		1	1
13	594 40 88-01	BOX		1	1
14	594 25 71-01	HOSE		1	1
15	594 63 07-01	WIRE		1	1
16	594 28 61-01	SCREW	M4x8 BRASS DIN84A	1	1
17	594 28 17-01	CLAMP		1	1
18	595 19 65-01	CLIP		1	1

**E** SMART 48 / SMART 48E  
HANDLE

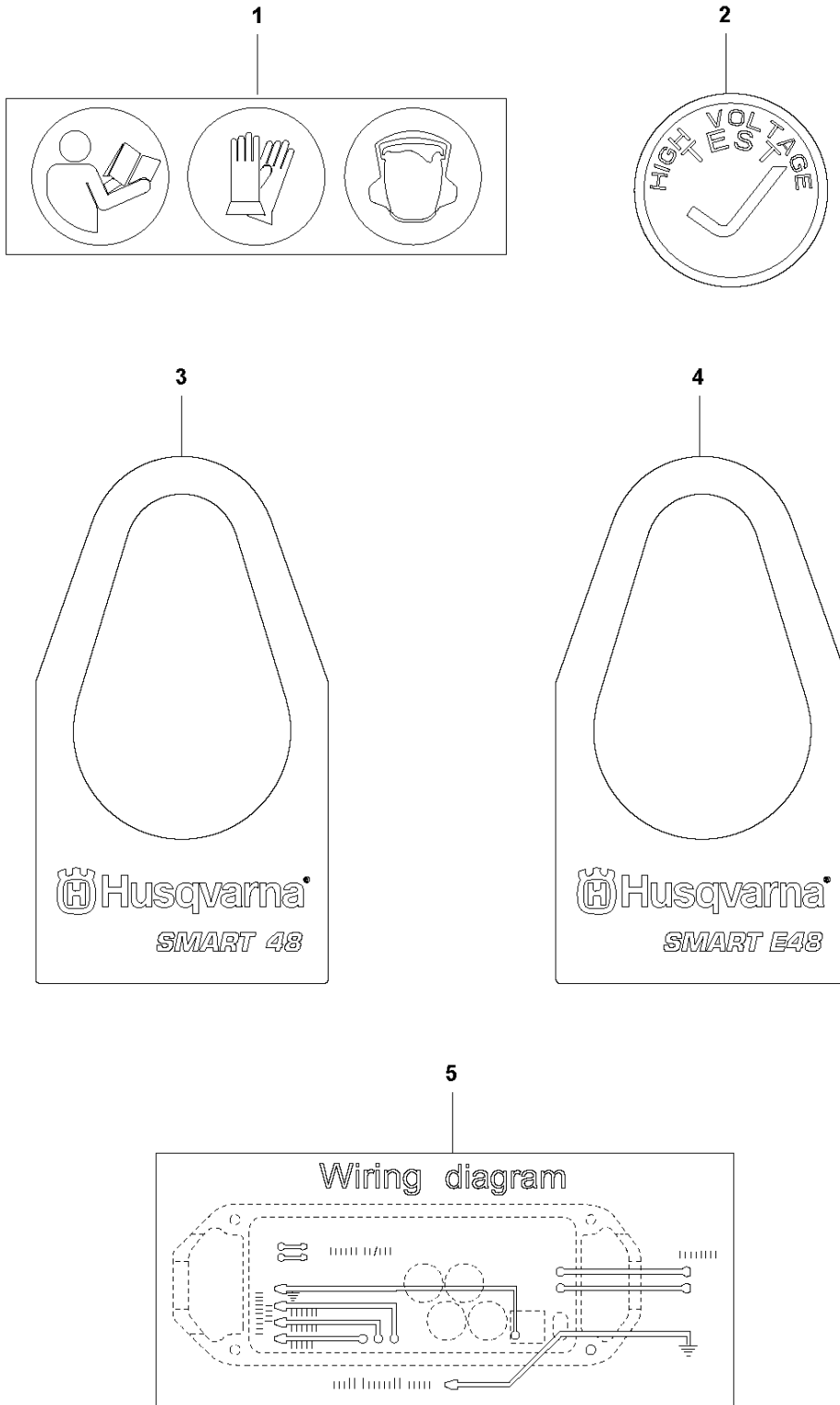




HANDLE SMART 48/SMART 48E, 967855904, 967855905, 967940201, 967940202, 967940203,  
2019-08

Ref	Part No	Description	Remark	QTY KIT	
1	594 62 86-01	HANDLE	Ergonomic handle kit	1	
2	594 61 99-01	DIAPHRAGM		1	1
3	594 62 00-01	PLATE		1	1
4	594 62 01-01	SWITCH		1	1
5	594 61 93-01	PISTON		1	1
6	594 62 32-01	SCREW		3	1
7	595 04 75-01	O-RING	120.32x2.62 NBR 70 shore	1	1
8	594 50 08-01	SCREW	ST 4,2x25 DIN7971 C	2	1
9	594 50 09-01	SCREW	ST 4,2x38 DIN7971 C	2	1
10	594 62 65-01	COVER		1	1
11	594 62 25-01	HANDLE		1	1
12	594 38 03-01	NUT		1	1
13	594 37 71-01	ABSORBER		1	1

**F** SMART 48 / SMART 48E  
DECALS



DECALS SMART 48/SMART 48E, 967855904, 967855905, 967940201, 967940202, 967940203,  
2019-08

Ref	Part No	Description	Remark	QTY KIT
1	594 62 75-01	DECAL		1
2	595 50 49-01	LABEL		1
3	596 31 14-01	DECAL		1
4	596 31 19-01	DECAL		1
5	594 62 26-01	DECAL		1