

SNS45XP



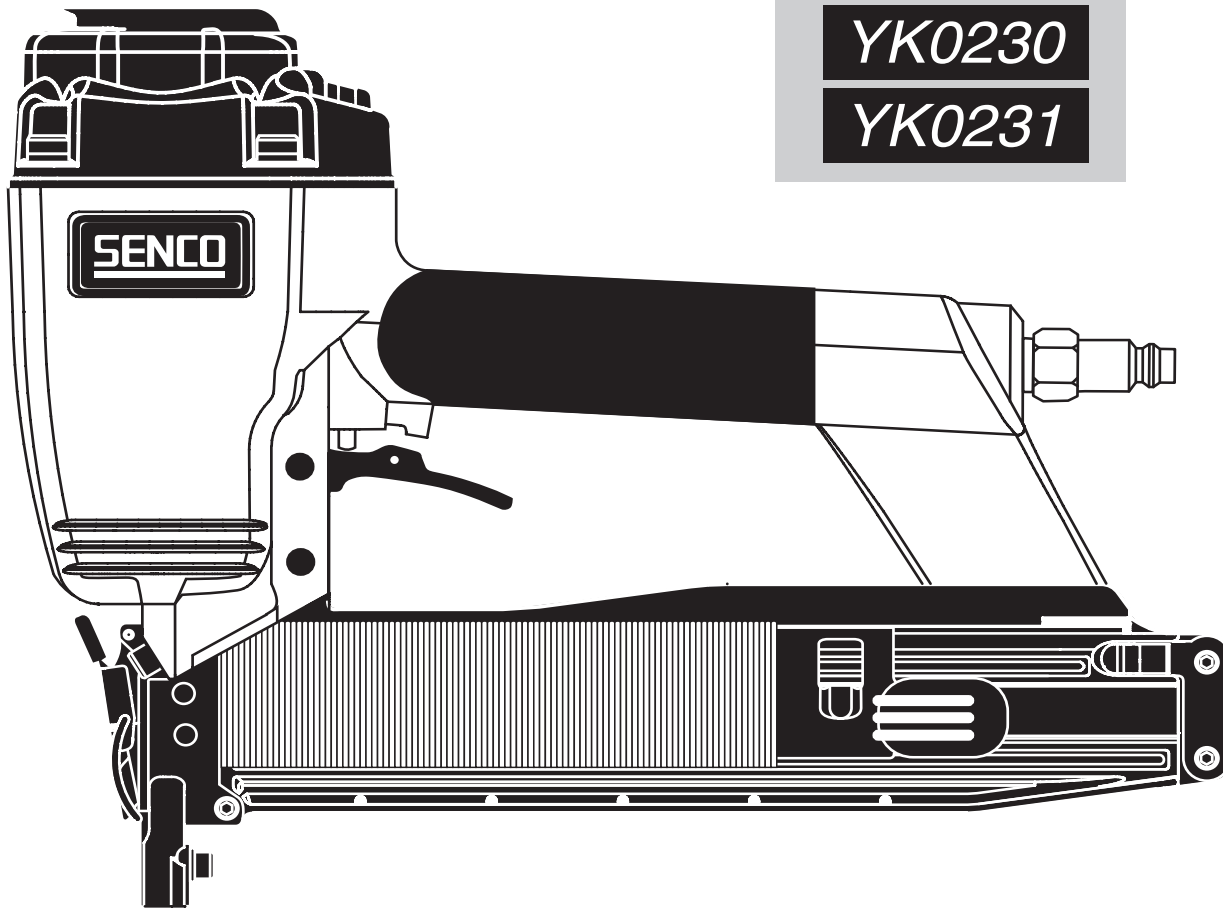
Parts Reference Guide



Repair Kits

YK0230

YK0231



*** Schematic drawings inside**

NFG058 Revised June 19, 2012 (Replaces 2/16/12) © 2012 by SENCO Brands, Inc. Cincinnati, Ohio 45245 - U.S.A.

Senco Brands Inc.
4270 Ivy Pointe Blvd.
Cincinnati, Ohio 45245
Visit Our Website: www.senco.com
EMEA Website: www.senco-emea.com

Questions? Comments? call SENCO's toll-free Action-line:
1-800-543-4596 or e-mail: toolprof@senco.com

SNS45XP

SENCO®

KB3422

BC0310

BF0179

KB0067

KB5301

AC0326

AC0144

LB0126

BC0376*

LB0863

BF0142

BF0156

BF0188*

LB0865

LB0864

BF0154

LB0089

LB3505

BC0369*

LB0132

LB0132

LB0858

LB0034

LB0858

LB0034

LB0858

LB0034

LB0858

LB0034

LB0858

LB0034

LB0858

LB0034

LB0858

LB0034

A*

BB0152

LB0012

CB0032*

LB0015

CF0035

LB0057

Tool # Model

580101N Contact Actuation

582001N Contact Actuation

580102N Single Sequential

582002N Single Sequential

580103N Contact Actuation w/Case

582003N Contact Actuation w/Case

580004N Single Sequential w/Case

582004N Single Sequential w/Case

A*

EA0113

EA0113

EA0113

EA0113

EA0113

EA0113

EA0113

EA0113

EA0113

EA0114

EA0114

EA0114

EA0114

EA0114

EA0114

EA0114

EA0114

EA0114

EA0114

EA0114

EA0114

EA0114

EA0114

EA0114

EA0114

EA0114

EA0114

EA0114

EA0114

EA0114

EA0114

EA0114

EA0114

EA0114

EA0114

EA0114

EA0114

EA0114

EA0114

EA0114

EA0114

EA0114

EA0114

EA0114

EA0114

EA0114

EA0114

EA0114

EA0114

EA0114

EA0114

EA0114

EA0114

EA0114

EA0114

EA0114

EA0114

EA0114

EA0114

EA0114

EA0114

EA0114

EA0114

OPTIONAL

KB4177

EA0114 3/16" CSK

LB0057

CF0007

LB0057

KC0062

AB0078

KB3239

KB0067

KB3420

FC0297

KB3225

FA0201

LB0056

FA0186

FA0202

FA0203

enclosed 10-FA0202

HF0035

KC0055

KC0055

KC0055

KC0055

KC0055

KC0055

KC0055

KC0055

KC0055

KC0055

KC0055

KC0055

KC0055

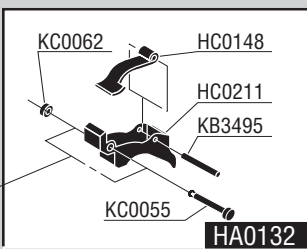
KC0055

KC0055

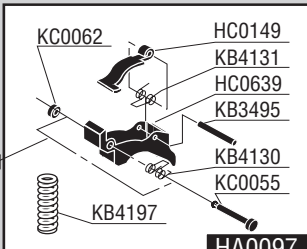
KC0055

- * Does Not Include O-rings
- * No incluye sellos de gomas
- * Ohne Dichtringe
- * Joints exclus

Available Triggers



Contact Actuation



Single Sequential

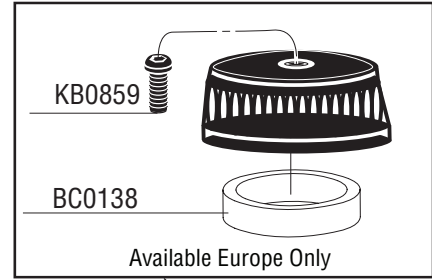
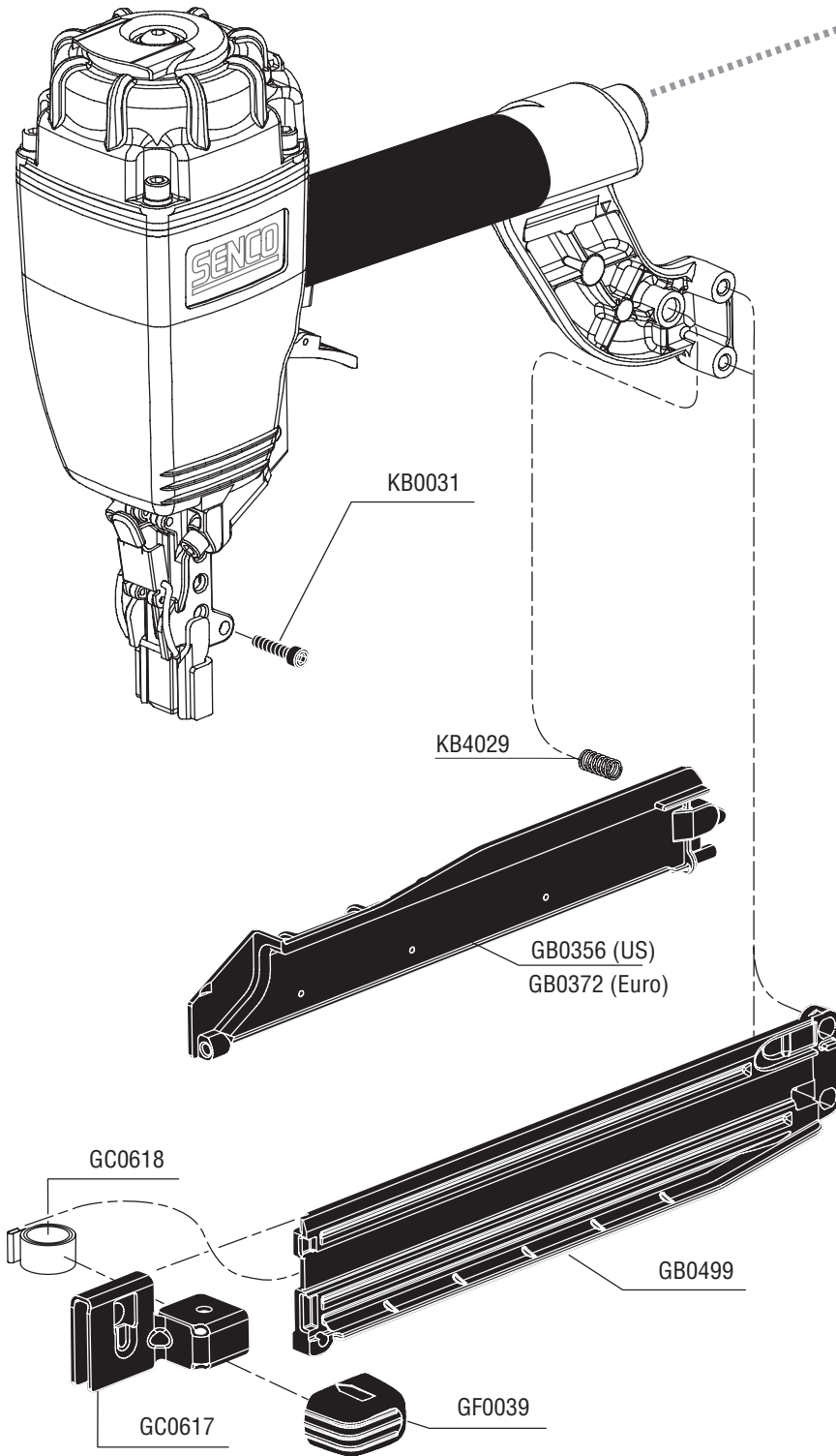
KB0161

KB3311

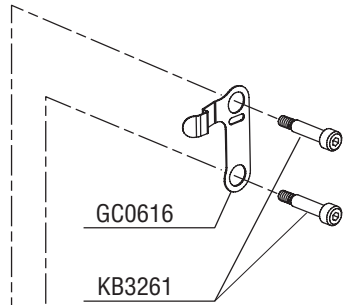
HC0238

SNS45XP

SENCO[®]



BA0143



Available Plugs
(Not Included with Tool)

| | |
|--|---------------------------|
| | PC0480 |
| | Ind. Interchange 3/8" NPT |
| | PC0485 ✓ |
| | Ind. Interchange 3/8" NPT |
| | PC0469 |
| | Tru-Flate 3/8" NPT |
| | PC0475 ✓ |
| | Tru-Flate 3/8" NPT |

✓ **Recommended Plugs**
Plugs shown smaller than actual size

NFG058 Revised June 19, 2012 (Replaces 2/16/12) © 2012 by SENC0 Brands, Inc. Cincinnati, Ohio 45245 - U.S.A.

| PART NO. | DESCRIPTION | DESCRIPCIÓN | BESCHREIBUNG | DÉSIGNATION |
|----------|------------------------|--------------------|------------------------|------------------------------|
| AB0078 | MAIN BODY | CARCASA | GEHÄUSE | CORPS |
| AC0144 | SEAL | SELLO | DICHTUNG | JOINT |
| AC0326 | CAP | TAPA | KAPPE | BOUCHON |
| BA0143 | DEFLECTOR ASY (EUROPE) | DESVIADOR | ABWEISER | DÉFLECTEUR |
| BB0152 | STOP | TOPE | PUFFER | ARRÊT |
| BC0138 | MUFFLER (EUROPE) | SILENCIADOR | DÄMPFER | SILENCIEUX |
| BC0310 | BUSHING | CASQUILLO | HÜLSE | DOUILLE |
| BC0369 | CYLINDER | CILINDRO | ZYLINDER | CYLINDRE |
| BC0376 | VALVE | VÁLVULA | VENTIL | VALVE |
| BF0142 | SEAL | SELLO | DICHTUNG | JOINT |
| BF0154 | SEAL | SELLO | DICHTUNG | JOINT |
| BF0156 | BUMPER | AMORTIGUADOR | PUFFER | AMORTISSEUR |
| BF0179 | DEFLECTOR | DESVIADOR | ABWEISER | DÉFLECTEUR |
| BF0188 | VALVE | VÁLVULA | VENTIL | VALVE |
| CB0032 | CORE | VÁSTAGO | VENTILSTIFT | NOYAU |
| CF0007 | HOUSING | ALOJAMIENTO | GEHÄUSE | CORPS |
| CF0035 | HOUSING | ALOJAMIENTO | GEHÄUSE | CORPS |
| EA0113 | PISTON ASSEMBLY | ASAMBLE DE PISTON | KOLBEN-ZUSAMMENBAU | ENSEMBLE PISTON-COUTEAU |
| EA0114 | PISTON ASSEMBLY | ASAMBLE DE PISTON | KOLBEN-ZUSAMMENBAU | ENSEMBLE PISTON-COUTEAU |
| FA0186 | GUIDEBODY | PLACA DE NARIZ | KLAMMERFÜHRUNG | FRONT |
| FA0201 | LATCH ASSEMBLY | ASAMBLE DE UÑETA | VERSCHLUSS-ZUSAMMENBAU | DOIGT DE RETENUE D'ASSEMBLÉE |
| FA0202 | INSERT | ACOPLAMIENTO | EINSATZ | INSERT |
| FA0203 | INSERT (10) | ACOPLAMIENTO (10) | EINSTATZ (10) | INSERT (10) |
| FC0297 | DOOR | PUERTA | ABDECKSCHIEBER | PORTE |
| GB0356 | DOOR (US) | PUERTA | ABDECKSCHIEBER | PORTE |
| GB0372 | DOOR (EUROPE) | PUERTA | ABDECKSCHIEBER | PORTE |
| GC0616 | LATCH | UÑETA | VERSCHLUSS | DOIGT DE RETENUE |
| GC0617 | FEEDER SHOE | ALIMENTADOR | NAGELSCHIEBER | POUSSOIR |
| GC0618 | SPRING | RESORTE | FEDER | RESSORT |
| GB0499 | MAGAZINE | CARGADOR | MAGAZIN | MAGASIN |
| GF0039 | COVER | CUBIERTA | ABDECKUNG | COUVERCLE |
| HA0097 | TRIGGER ASSEMBLY | ASAMBLE DE GATILLO | AUSLÖSER-ZUSAMMENBAU | GÂCHETTE D'ASSEMBLÉE |
| HA0132 | TRIGGER ASSEMBLY | ASAMBLE DE GATILLO | AUSLÖSER-ZUSAMMENBAU | GÂCHETTE D'ASSEMBLÉE |
| HC0148 | TRIGGER | GATILLO | AUSLÖSER | GÂCHETTE |
| HC0149 | TRIGGER | GATILLO | AUSLÖSER | GÂCHETTE |
| HC0211 | TRIGGER | GATILLO | AUSLÖSER | GÂCHETTE |
| HC0238 | SAFETY ELEMENT | SEGURO | SICHERHEITSVORRICHTUNG | PALPEUR DE SÉCURITÉ |
| HC0242 | SAFETY ELEMENT | SEGURO | SICHERHEITSVORRICHTUNG | PALPEUR DE SÉCURITÉ |
| HC0639 | TRIGGER | GATILLO | AUSLÖSER | GÂCHETTE |
| HF0035 | COVER | CUBIERTA | ABDECKUNG | COUVERCLE |
| KB0031 | SCREW | TORNILLO | SCHRAUBE | VIS |
| KB0067 | SCREW | TORNILLO | SCHRAUBE | VIS |
| KB0161 | SCREW | TORNILLO | SCHRAUBE | VIS |
| KB0859 | SCREW | TORNILLO | SCHRAUBE | VIS |
| KB3225 | PIN | PASADOR | STIFT | GOUPILLE |
| KB3239 | PIN | PASADOR | STIFT | GOUPILLE |
| KB3261 | SCREW | TORNILLO | SCHRAUBE | VIS |
| KB3311 | WASHER | ARANDELA | SCHIBE | RONDELLE |
| KB3420 | SCREW | TORNILLO | SCHRAUBE | VIS |
| KB3422 | SCREW | TORNILLO | SCHRAUBE | VIS |
| KB3495 | PIN | PASADOR | STIFT | GOUPILLE |
| KB4029 | SPRING | RESORTE | FEDER | RESSORT |
| KB4130 | SPRING | RESORTE | FEDER | RESSORT |
| KB4131 | SPRING | RESORTE | FEDER | RESSORT |
| KB4177 | SPRING | RESORTE | FEDER | RESSORT |
| KB4197 | SPRING | RESORTE | FEDER | RESSORT |
| KB5301 | WASHER | ARANDELA | SCHIBE | RONDELLE |
| KC0055 | PIN | PASADOR | STIFT | GOUPILLE |
| KC0062 | RETAINER | RETÉN | SICHERUNGSRING | RETENUE |
| LB0012 | SEAL | SELLO | DICHTUNG | JOINT |
| LB0015 | SEAL | SELLO | DICHTUNG | JOINT |
| LB0034 | SEAL | SELLO | DICHTUNG | JOINT |
| LB0056 | SEAL | SELLO | DICHTUNG | JOINT |
| LB0057 | SEAL | SELLO | DICHTUNG | JOINT |
| LB0089 | SEAL | SELLO | DICHTUNG | JOINT |
| LB0126 | SEAL | SELLO | DICHTUNG | JOINT |
| LB0132 | SEAL | SELLO | DICHTUNG | JOINT |
| LB0858 | SEAL | SELLO | DICHTUNG | JOINT |
| LB0863 | SEAL | SELLO | DICHTUNG | JOINT |
| LB0864 | SEAL | SELLO | DICHTUNG | JOINT |
| LB0865 | SEAL | SELLO | DICHTUNG | JOINT |
| LB3505 | SEAL | SELLO | DICHTUNG | JOINT |