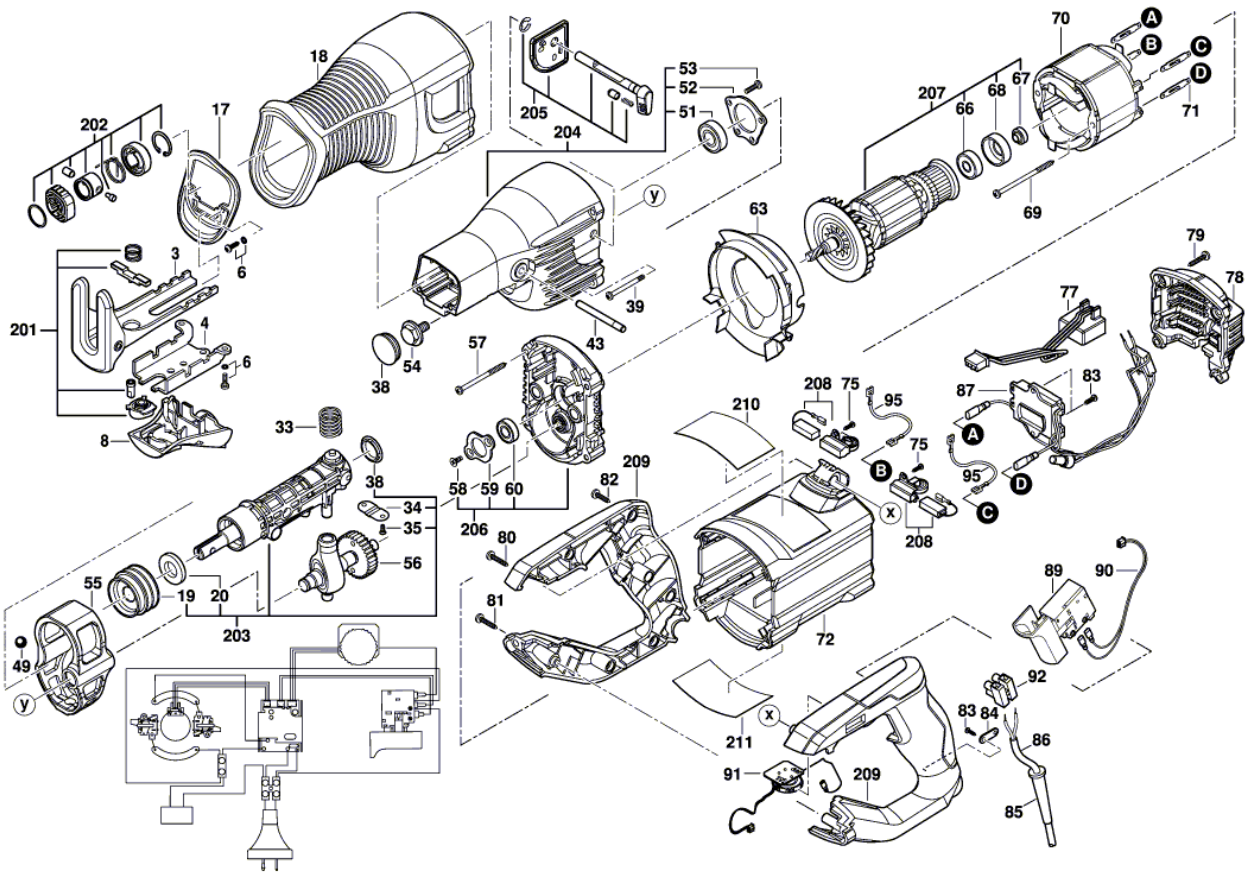




Product Description: Reciprocating Saw
Model Number: SPT44-10
Body Number: 0600138001
Version: A
Issue Date: 2020/04/01



No.	Product Model#	Part Number	Description	Qty
3	SPT44-10	2825150001	Pivot Shoe	1
4	SPT44-10	3705515001	Mounting Plate	1
6	SPT44-10	5620551001	Screw with Washer	4
8	SPT44-10	3126347001	Support Plate	1
17	SPT44-10	3705218001	Front Handle Support	1
18	SPT44-10	3128617001	Front Handle	1
33	SPT44-10	3660532001	Compression Spring	1
38	SPT44-10	3125117001	Seal Cap	1
39	SPT44-10	5610312001	Hexagon Socket Screw	4
43	SPT44-10	5670423001	Pin	1
49	SPT44-10	5700225001	Steel Ball	1
54	SPT44-10	5620149007	Flange Screw	1
55	SPT44-10	2825019001	Counterweight Assembly	1
56	SPT44-10	2825342001	Gear Set	1
57	SPT44-10	5610320001	Hexagon Socket Screw	1
63	SPT44-10	3126929001	Fan Baffle	1
69	SPT44-10	5610310001	Hexagon Socket Screw	2
70	SPT44-10	2740118012	Stator	1
71	SPT44-10	4930352001	Terminal	4
72	SPT44-10	3128618001	Motor Housing	1
75	SPT44-10	5610008001	Tapping Screw	4
77	SPT44-10	2830072002	Electric Assembly	1
78	SPT44-10	3126930001	Rear Cover	1
79	SPT44-10	5610215001	Hexagon Socket Screw	4
80	SPT44-10	5610278003	Hexagon Socket Screw	1
81	SPT44-10	5610317001	Hexagon Socket Screw	1
82	SPT44-10	5610316001	Hexagon Socket Screw	6
83	SPT44-10	5610313001	Hexagon Socket Screw	4
84	SPT44-10	3700345001	Cord Anchorage	1
85	SPT44-10	3121050002	Cord Guard	1
86	SPT44-10	4810003220	Power Cord & Plug	1
87	SPT44-10	2825355001	Control Assembly	1
89	SPT44-10	4870602001	Trigger Switch	1
90	SPT44-10	4860543001	Internal Wire ASSY	1
91	SPT44-10	4900287001	Speed Adjuster ASSY	1
92	SPT44-10	4930003002	Connector	1
95	SPT44-10	4860539001	Internal Wire ASSY	2
201	SPT44-10	2825347001	Support ASSY	1
202	SPT44-10	2825017001	Quick Clamp Assembly	1
203	SPT44-10	2825018001	Bevel Support Assembly	1
19	SPT44-10	3402868001	Seal Cover	1
20	SPT44-10	5690363001	Felt Ring	1
34	SPT44-10	3706251001	Clamp	1
35	SPT44-10	5610079002	Thread Forming Screw	2
38	SPT44-10	3125117001	Seal Cap	1
204	SPT44-10	2825341001	Gear Case ASSY	1
51	SPT44-10	5700014005	Ball Bearing	1
52	SPT44-10	3706141001	Bearing Retainer	1
53	SPT44-10	5610315001	Hexagon Socket Screw	4
205	SPT44-10	2825351001	Pendulum Lever ASSY	1
206	SPT44-10	2825343001	Gear Case Cover ASSY	1
58	SPT44-10	5610314001	Hexagon Socket Screw	2
59	SPT44-10	3706249001	Bearing Retainer	1
60	SPT44-10	5700048008	Ball Bearing	1
207	SPT44-10	2825290001	Rotor Assembly	1
66	SPT44-10	5700005003	Ball Bearing	1
67	SPT44-10	3680192002	Magnet Ring	1

No.	Product Model#	Part Number	Description	Qty
68	SPT44-10	3123738001	Bearing Holder	1
208	SPT44-10	2825349001	Carbon Brush Set	1
209	SPT44-10	2825346001	Handle ASSY	1