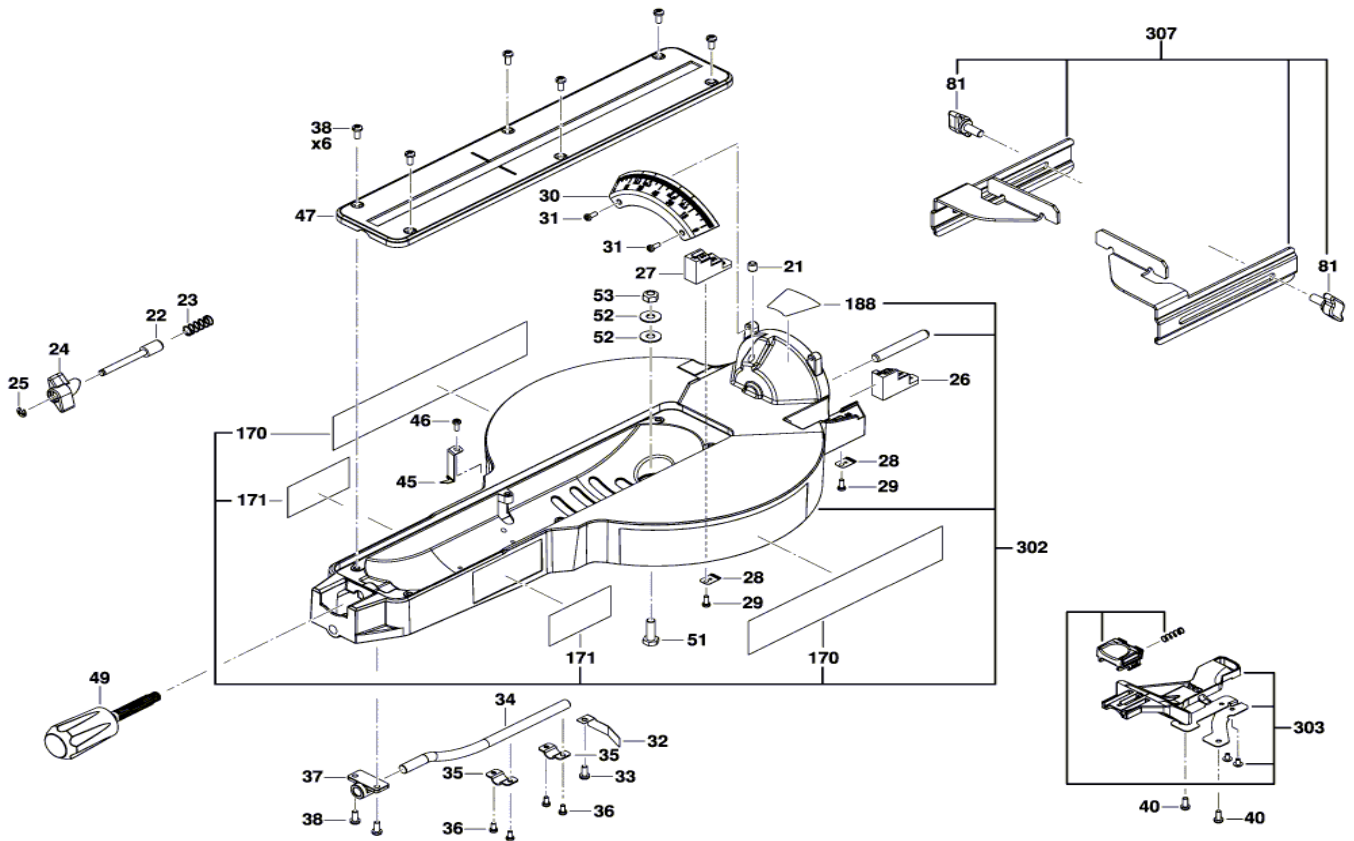
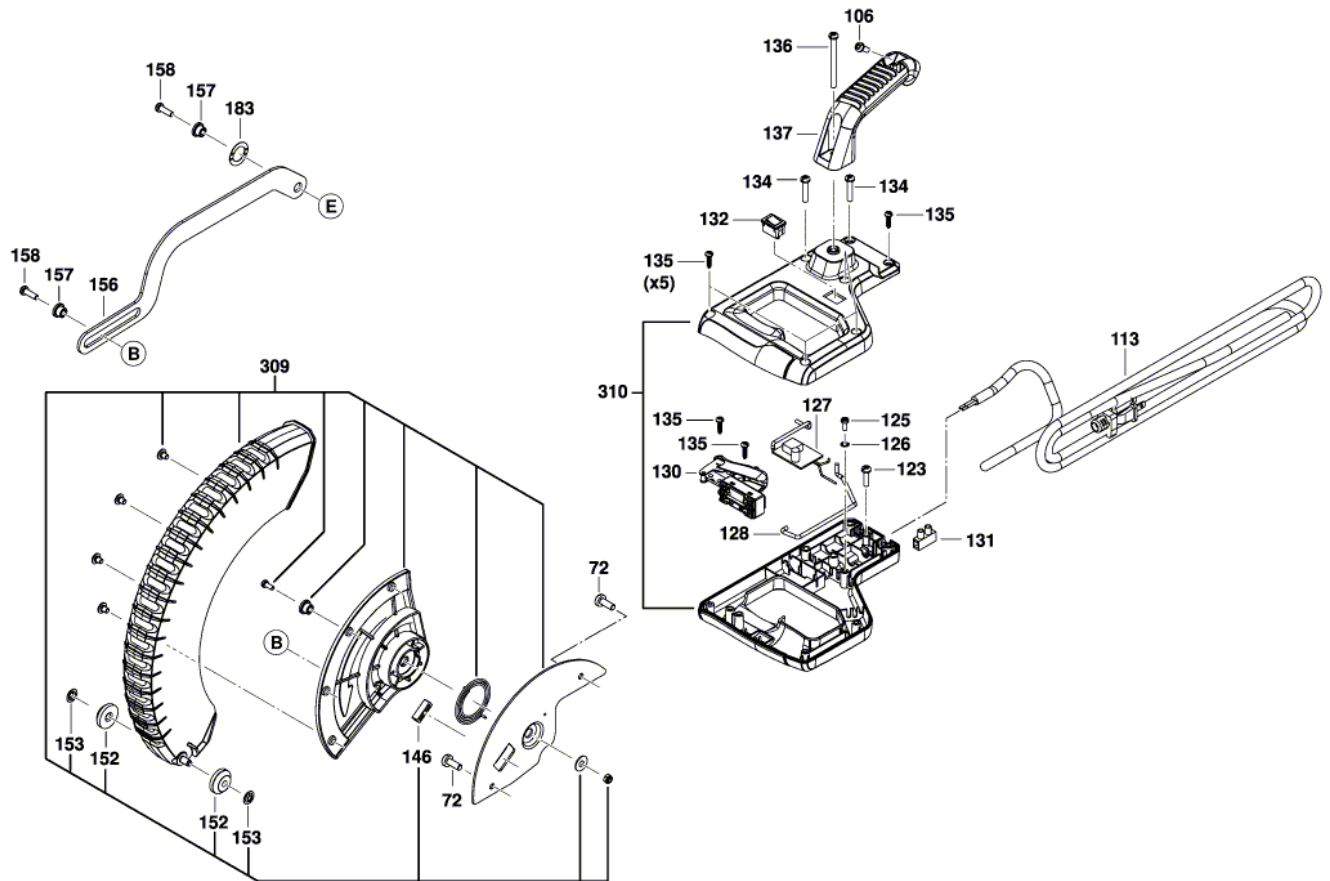




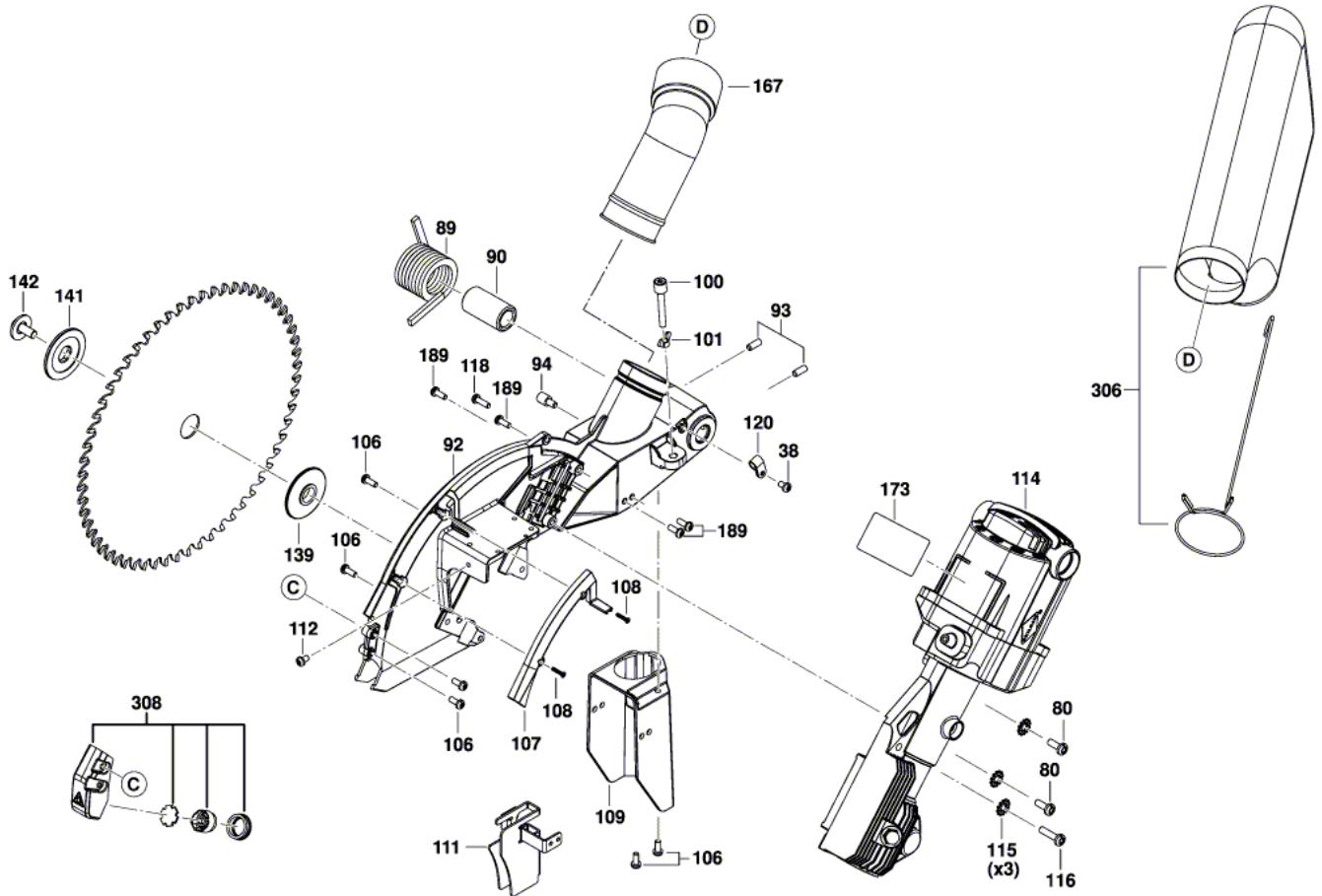
Product Description: Miter Saw
Model Number: SPT88-02
Body Number: 0200008022
Version: A
Issue Date: 2020/05/08

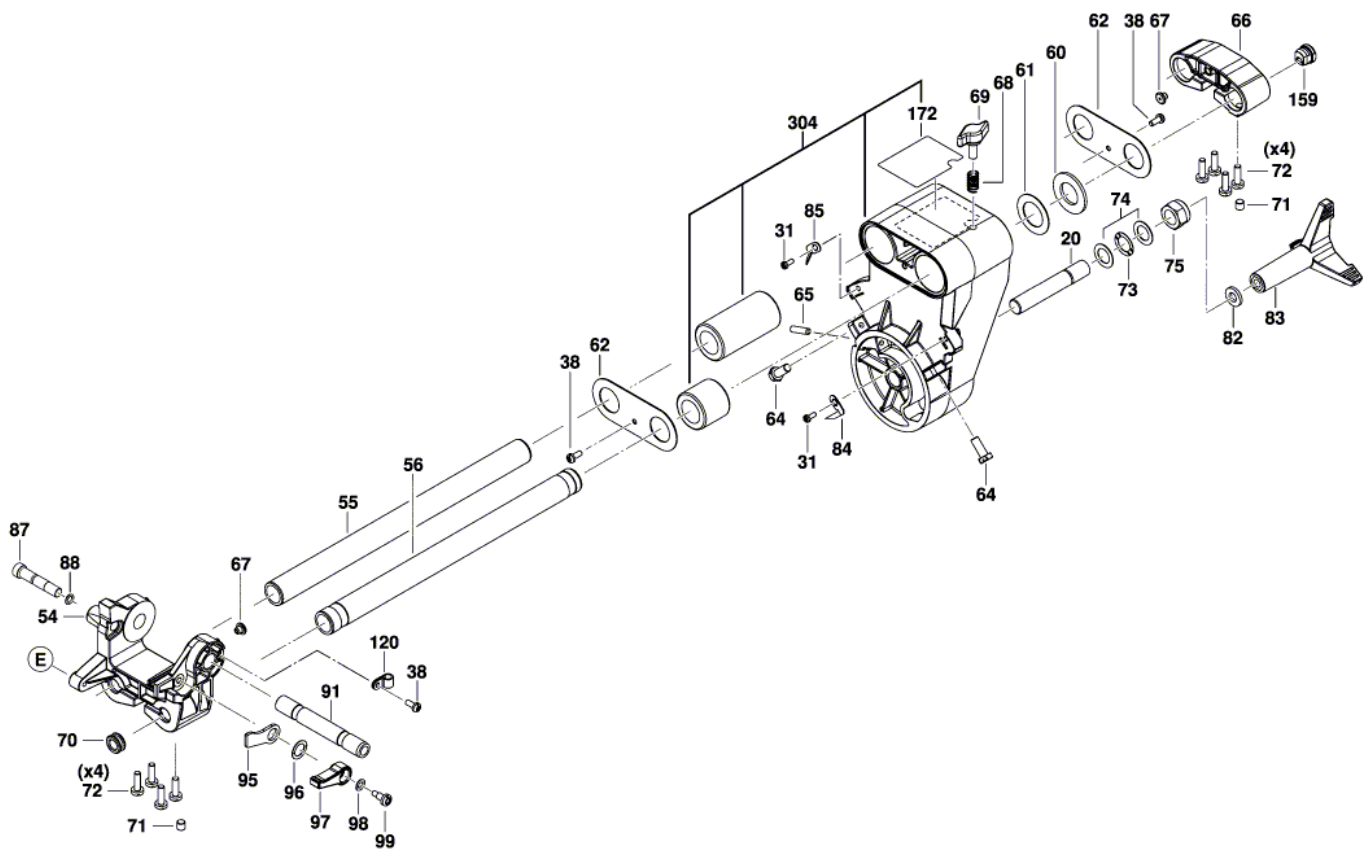






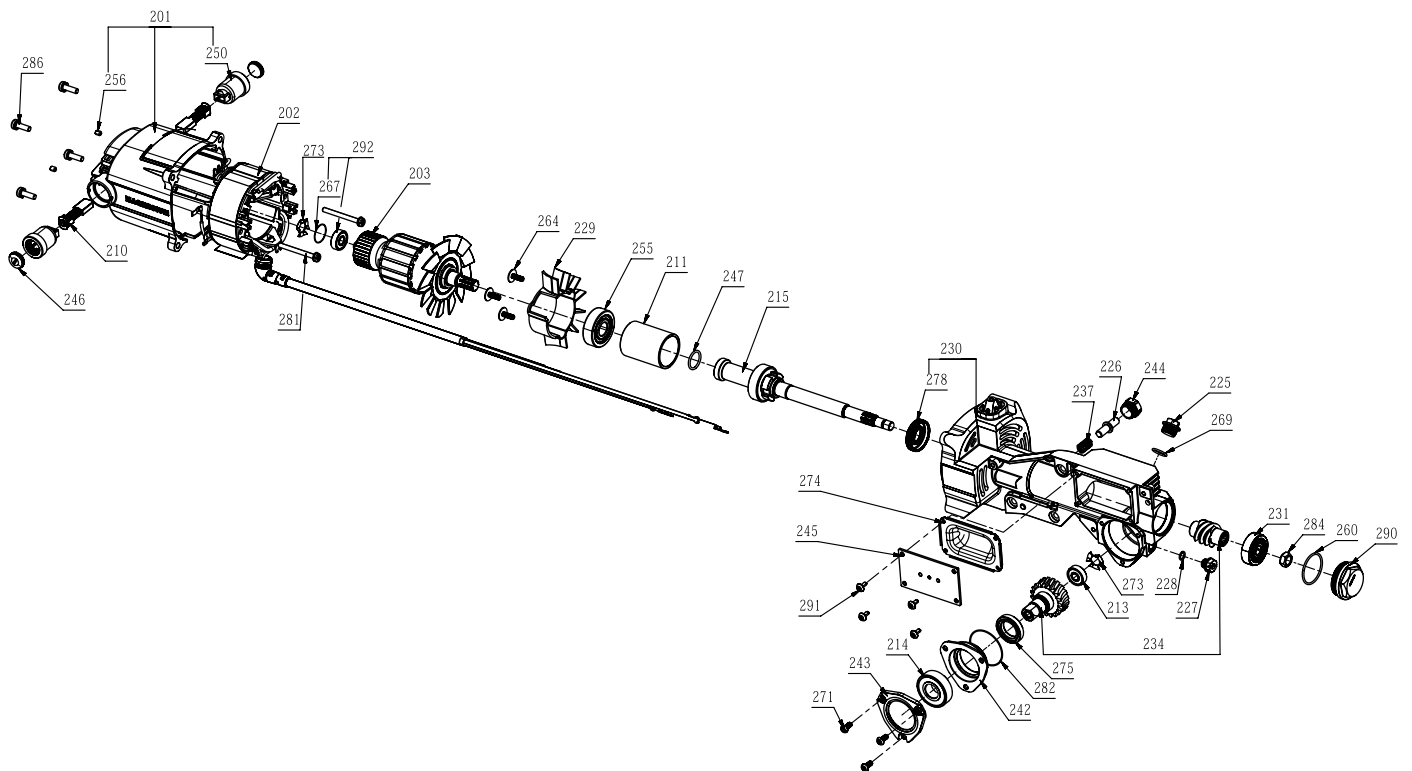
Product Description: Miter Saw
Model Number: SPT88-02
Body Number: 0200008022
Version: A
Issue Date: 2020/05/08







Product Description: Miter Saw
Model Number: SPT88-02
Body Number: 0200008022
Version: A
Issue Date: 2020/05/08



No.	Product Model#	Part Number	Description	Qty
2	SPT88-02	3706973026	Miter Scale	1
3	SPT88-02	5610361052	Screw M6*13	2
4	SPT88-02	5610361053	Screw M6*12	2
5	SPT88-02	3706973027	Spring Plate	2
6	SPT88-02	5610361054	Screw M5*8	2
7	SPT88-02	3706973028	Stop Plate-Left	1
8	SPT88-02	3706973029	Stop Plate-Right	1
9	SPT88-02	5670524006	Pin	2
10	SPT88-02	3706973030	Base Extension-Right	1
11	SPT88-02	3706973031	Base Extension-Left	1
12	SPT88-02	3706973032	Extension Bar-Front	2
13	SPT88-02	3706973033	Extension Bar-Rear	2
14	SPT88-02	5610361055	Set Screw	4
15	SPT88-02	5660288011	E Ring	4
16	SPT88-02	3130253070	Rubber Bushing	1
17	SPT88-02	5680258005	L Wrench	1
20	SPT88-02	5610361056	Screw	1
21	SPT88-02	5610361044	Set Screw	1
22	SPT88-02	5670524005	Detent Shaft	1
23	SPT88-02	3660753018	Spring	1
24	SPT88-02	3130253066	Bevel Detent Knob	1
25	SPT88-02	5660288010	E Ring	1
26	SPT88-02	3706973018	BEVEL Stop-Right	1
27	SPT88-02	3706973019	BEVEL Stop-Left	1
28	SPT88-02	3706973020	Spring	2
29	SPT88-02	5610361045	Screw M4*6	2
30	SPT88-02	3130253067	BEVEL Scale	1
31	SPT88-02	5610361046	Screw M5*10	4
32	SPT88-02	3706973021	Spring Plate	1
33	SPT88-02	5610361047	Screw M5*8	1
34	SPT88-02	3706973022	Miter Lock Rod	1
35	SPT88-02	3706973023	Retaining Plate	2
36	SPT88-02	5610361048	Screw M4*10	4
37	SPT88-02	3706973024	Fixed Holder	1
38	SPT88-02	5610361049	Screw M5*12	12
40	SPT88-02	5610361050	Screw M5*12	2
45	SPT88-02	3706973025	Miter Indicator	1
46	SPT88-02	5610361051	Screw M4*10	1
47	SPT88-02	3130253068	Table Insert	1
49	SPT88-02	3130253069	Miter Lock Handle	1
50	SPT88-02	5690438011	Glide Ring	1
51	SPT88-02	5610361009	Screw M8*30	1
52	SPT88-02	5650710010	Washer	2
53	SPT88-02	5630352001	Nut M8	1
54	SPT88-02	3422506010	Front Pivot	1
55	SPT88-02	3553285018	Sliding Rail-A	1
56	SPT88-02	3553285019	Sliding Rail-B	1
60	SPT88-02	5650710019	Flat Washer	1
61	SPT88-02	5690438013	Felt Washer	1
62	SPT88-02	3706973012	Bearing Cover	2
64	SPT88-02	5610361022	Screw M8*20	2
65	SPT88-02	5610361023	Set Screw	1

No.	Product Model#	Part Number	Description	Qty
66	SPT88-02	3422506008	Rear Slide Stop	1
67	SPT88-02	5690438014	Pad	2
68	SPT88-02	3660753011	Compression Spring	1
69	SPT88-02	3130253029	Sliding Knob	1
70	SPT88-02	3130253030	Rubber Bushing	1
71	SPT88-02	5610361024	Set Screw	2
72	SPT88-02	5610361025	Screw M6*20	10
73	SPT88-02	5650710020	Wave Washer	1
74	SPT88-02	5650710011	Washer	2
75	SPT88-02	5630352002	Nylon Nut M16	1
76	SPT88-02	3422506005	Fixed Fence	1
77	SPT88-02	5610361010	Screw M8*25	4
78	SPT88-02	3422506006	Sliding Fence-Left	1
79	SPT88-02	3422506007	Sliding Fence-Right	1
80	SPT88-02	5610361011	Screw M6*16	4
81	SPT88-02	3130253024	Fence Knob	2
82	SPT88-02	5650710012	Washer	1
83	SPT88-02	3130253025	Bevel Lock Handle	1
84	SPT88-02	3130253026	Bevel Indicator-Right	1
85	SPT88-02	3130253033	Bevel Indicator-Left	1
87	SPT88-02	5670524003	Down Pin	1
88	SPT88-02	5690438012	O Ring	1
89	SPT88-02	3660753009	Torsion Spring	1
90	SPT88-02	3660753010	Bushing	1
91	SPT88-02	5640322001	Shaft	1
92	SPT88-02	3422506009	Upper Guard	1
93	SPT88-02	5610361012	Screw M6*16	2
94	SPT88-02	5610361013	Screw M8*15	1
95	SPT88-02	3706973010	Depth Plate	1
96	SPT88-02	5650710021	Wave Washer	1
97	SPT88-02	3706973011	Block	1
98	SPT88-02	5650710013	Wave Washer	1
99	SPT88-02	5610361021	Screw M6*16	1
100	SPT88-02	5620711003	Screw M6*44	1
101	SPT88-02	5630352003	Wing Nut M6	1
106	SPT88-02	5610361014	Screw M5*13	8
107	SPT88-02	3130253031	LED Wire Cover	1
108	SPT88-02	5610361026	Screw M3*15	2
109	SPT88-02	3130253032	Dust Collector	1
111	SPT88-02	3706973013	Chip Deflector	1
112	SPT88-02	5610361027	Screw M5*8	1
189	SPT88-02	5620711004	shoulder Screw M5*8	4
113	SPT88-02	4810237005	Power Cord	1
114	SPT88-02	0200005001	Motor Gearbox Assembly	1
115	SPT88-02	5650710014	Internal And External Toothed Lock	3
116	SPT88-02	5610361015	Screw M6*24	1
118	SPT88-02	5610361028	Screw M5*16	1
120	SPT88-02	3521181004	Cable Clip	2
123	SPT88-02	5610361016	Screw M5*18	1
125	SPT88-02	5610361017	Screw M4*5	1
126	SPT88-02	5650710015	Internal Toothed Lock Washer BW	1
127	SPT88-02	4581222001	Transformer	1

No.	Product Model#	Part Number	Description	Qty
128	SPT88-02	4870696008	Switch Connecting Wire (Black)	1
130	SPT88-02	4870696010	Trigger Switch	1
131	SPT88-02	4930857001	Terminal Block	1
132	SPT88-02	4870696009	LED Switch	1
134	SPT88-02	5610361018	Screw M5*25	2
135	SPT88-02	5610361029	Screw M4*16	7
136	SPT88-02	5610361019	Screw M5*58	1
137	SPT88-02	3130253027	Carry Handle	1
139	SPT88-02	5650710016	Inner Blade Washer	1
141	SPT88-02	5650710017	Outer Blade Washer	1
142	SPT88-02	5620711005	Arbor Bolt	1
146	SPT88-02	5690438015	Stop Pad	1
152	SPT88-02	5690438016	Roller on Lower Guard	2
153	SPT88-02	5630352004	Retaining Ring	2
156	SPT88-02	3553285017	Linkage	1
157	SPT88-02	3521181005	Bushing on Linkage	2
158	SPT88-02	5610361020	Screw M5*16	2
159	SPT88-02	3130253034	Strain Relief	1
167	SPT88-02	3130253028	Dust Elbow	1
168	SPT88-02	2244472002	No Hands Stickers	2
169	SPT88-02	2244472003	Crown Cutting Label	1
170	SPT88-02	2244472004	Spanish-French Warning	2
171	SPT88-02	2244472005	English Warning	2
172	SPT88-02	2244472008	Slide Cutting Label	1
173	SPT88-02	2244472006	Nameplate	1
183	SPT88-02	5650710018	Wave Washer	1
188	SPT88-02	2244472007	Right Bevel Label	1
301	SPT88-02	2826622030	Base Assembly	1
302	SPT88-02	2826622023	Table Assembly	1
303	SPT88-02	2826622024	Miter Detent Button Assembly	1
304	SPT88-02	2826622025	Pivot Slide Assembly	1
305	SPT88-02	2826622031	Clamp Assembly	1
306	SPT88-02	2826622026	Dust Bag Assembly	1
307	SPT88-02	2826622027	Crown Stops Assembly	1
308	SPT88-02	2826622032	LED Assembly	1
309	SPT88-02	2826622028	Lower Guard Assembly	1
310	SPT88-02	2826622033	Handle Set	1
201	SPT88-02	2827563001	Motor Housing Assembly	1
202	SPT88-02	2740499001	Stator	1
203	SPT88-02	2751188001	Rotor	1
210	SPT88-02	4960394001	Brush Assembly	1
211	SPT88-02	3422334001	Bush	1
213	SPT88-02	5700008030	Ball Bearing	1
214	SPT88-02	5700058006	Ball Bearing	1
215	SPT88-02	2825984001	Shaft Assembly	1
225	SPT88-02	3552851001	Oil Drain Plug	1
226	SPT88-02	5670513001	Lock Pin	1
227	SPT88-02	5640295001	Oil Drain Plug	1
228	SPT88-02	5690217001	O Ring	1
229	SPT88-02	3130002001	Guide Blade	1
230	SPT88-02	2826729001	Gear Case ASSY	1
231	SPT88-02	5700371001	Ball Bearing	1

No.	Product Model#	Part Number	Description	Qty
234	SPT88-02	3570126001	Worm and Gear Set	1
237	SPT88-02	3660680001	Compression Spring	1
242	SPT88-02	3422473001	Bearing Support	1
243	SPT88-02	3521120001	Bearing Clamping Plate	1
244	SPT88-02	3552840001	Bush	1
245	SPT88-02	3706587001	Cover	1
246	SPT88-02	3129240001	Brush Cover	2
247	SPT88-02	5690239001	O Ring	1
250	SPT88-02	2800265001	Brush Holder	2
255	SPT88-02	5700369001	Ball Bearing	1
256	SPT88-02	5620620001	Hexagon Socket Screw	2
260	SPT88-02	5690372001	O Ring	1
264	SPT88-02	5620686001	Screw with Washer	3
267	SPT88-02	5690376001	O Ring	1
269	SPT88-02	5690378001	O Ring	1
271	SPT88-02	5620687001	Hexalobular Socket Screw	3
273	SPT88-02	5650616001	Spring Washer	2
274	SPT88-02	3129528001	Rubber Gasket	1
275	SPT88-02	5690374001	Frame Seal	1
278	SPT88-02	5690375001	Frame Seal	1
281	SPT88-02	5620608001	Screw with Washer	2
282	SPT88-02	5690379001	O Ring	1
284	SPT88-02	5630312001	Nut	1
286	SPT88-02	5620609001	Screw with Washer	4
290	SPT88-02	3129987001	Bearing Cover	1
291	SPT88-02	5610325001	Thread Forming Screw	4
292	SPT88-02	2825668001	Bearing Assembly	1