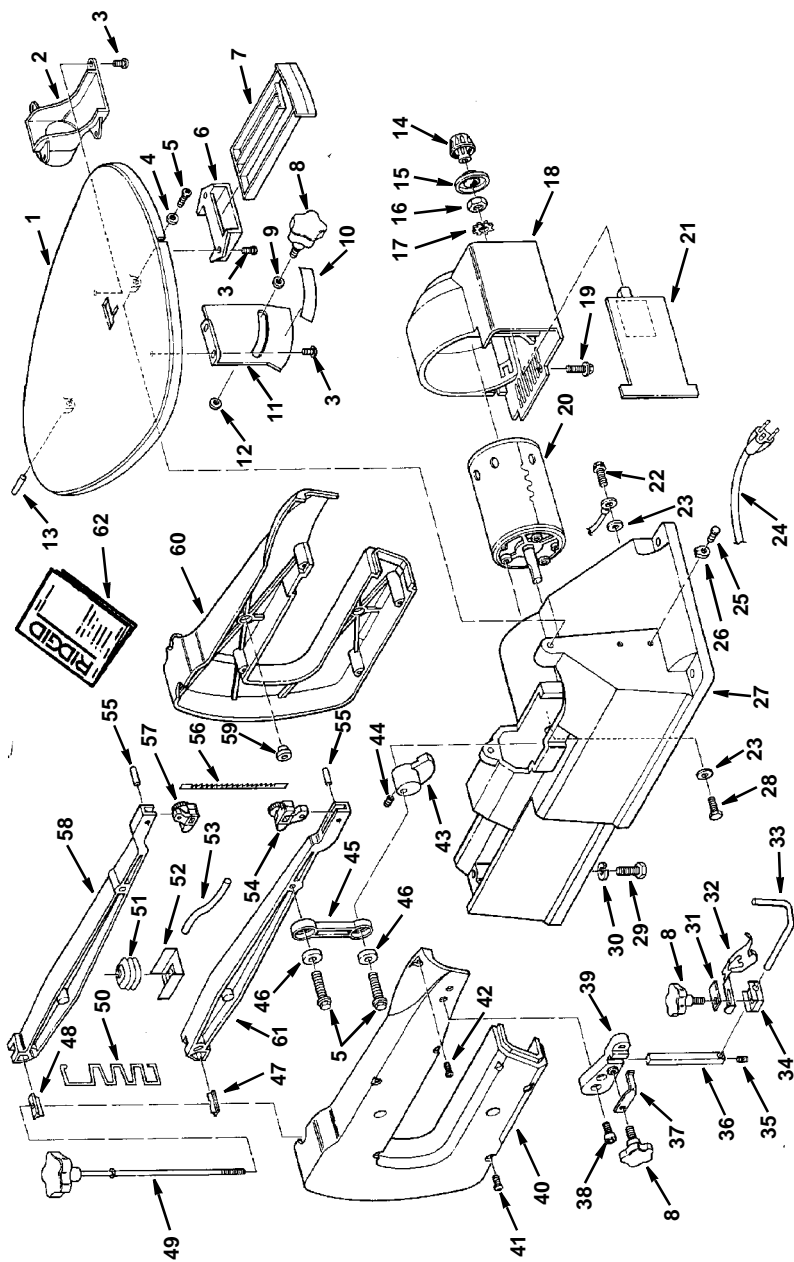


Repair Parts

RIDGID parts are available on-line at www.ridgidparts.com

Parts List For RIDGID 16" Variable Speed Scroll Saw Model No. SS16500



Parts List for RIDGID 16" Variable Speed Scroll Saw Model No. SS16500

Always Order By Part Number-Not By Key Number

27

Key No.	Part No.	Description
1	826177	Table
2	826257	Chute Sawdust
3	*	Screw Pan Hd Ty "T" 10-32 x 3/8
4	821532	Washer Curved Spring
5	821521	Screw Hex Wash Shldr Ty "T" 1/4-20 x 1/2
6	823808-1	Guide Drawer
7	826254	Drawer
8	826252	Knob Bevel
9	*	Washer 17/64 x 5/8 x 1/16
10	821510	Label Bevel Scale
11	826256	Scale Bevel
12	*	Washer 17/64 x 3/4 x 7/64
13	60326	Pin Roll .219 x 3/4
14	826298	Knob On/Off
15	826299	Guard Finger
16	*	Nut Hex Jam 3/8-32
17	*	Lockwasher 3/8
18	826201	Housing Motor
19	822016	Screw Hex Washer Hd Ty "T" #10 x 5/8
20	823634	• Motor
21	826867	Board, Control
22	823168	Screw Hex Washer Hd Ty "T" 10-32x3/8 Green
23	*	Lockwasher #10
24	823801-1	Cord w/Plug
25	809492	Screw Pan Hd Ty "T" 8-32 x 5/16
26	826057	Pointer
27	826136	Base
28	813094-1	Screw Hex Hd 10-32 x 7/8
29	*	Screw Hex Hd 1/4-20 x 1-1/2
30	*	Lockwasher 1/4
31	823830-1	Support Plate

Key No.	Part No.	Description
32	823827-1	Spring Hold Down
33	823806	Guard, Blade
34	823800-1	Clamp Hold Down
35	*	Screw, Soc Set, 10-32 x 3/16
36	823828	Support Bar
37	826255	Plate Clip
38	*	Screw Soc Hd Cap 1/4-20 x 3/8
39	826175	Support, Hold Down
40	826198	Housing Left
41	66072	Screw Pan Hd Ty "T" 8-32 x 1-3/8
42	*	Screw Pan Hd Ty "T" 8-32 x 1/2
43	823802	Coupling Eccentric
44	*	Screw Soc Set 1/4-20 x 3/8
45	826171	Link
46	815200	Bearing Ball
47	821529	Nut, Tension
48	821530	Wedge, Tension
49	826758	Knob, Tension
50	821531	Spring Tension
51	823791-1	Bellows
52	824646	Cover Bellows
53	823812	Hose
54	823810-1	Holder Blade Lower
55	*	Pin Roll 3/16 x 9/16
56	*	† Blade
57	823811-1	Holder Blade Upper
58	826278	Arm Upper
59	821416	Bearing Flanged
60	826199	Housing Right
61	826277	Arm Lower
62	SP6141	Owner's Manual

* Standard hardware item - may be purchased locally

† These replacement parts are available where you purchased your scroll saw.

• Any attempt to repair this motor may create a hazard unless repair is done by a qualified service technician. Repair service is available at your nearest Authorized Service Center.

Repair Parts
 RIDGID parts are available on-line at www.ridgidparts.com