

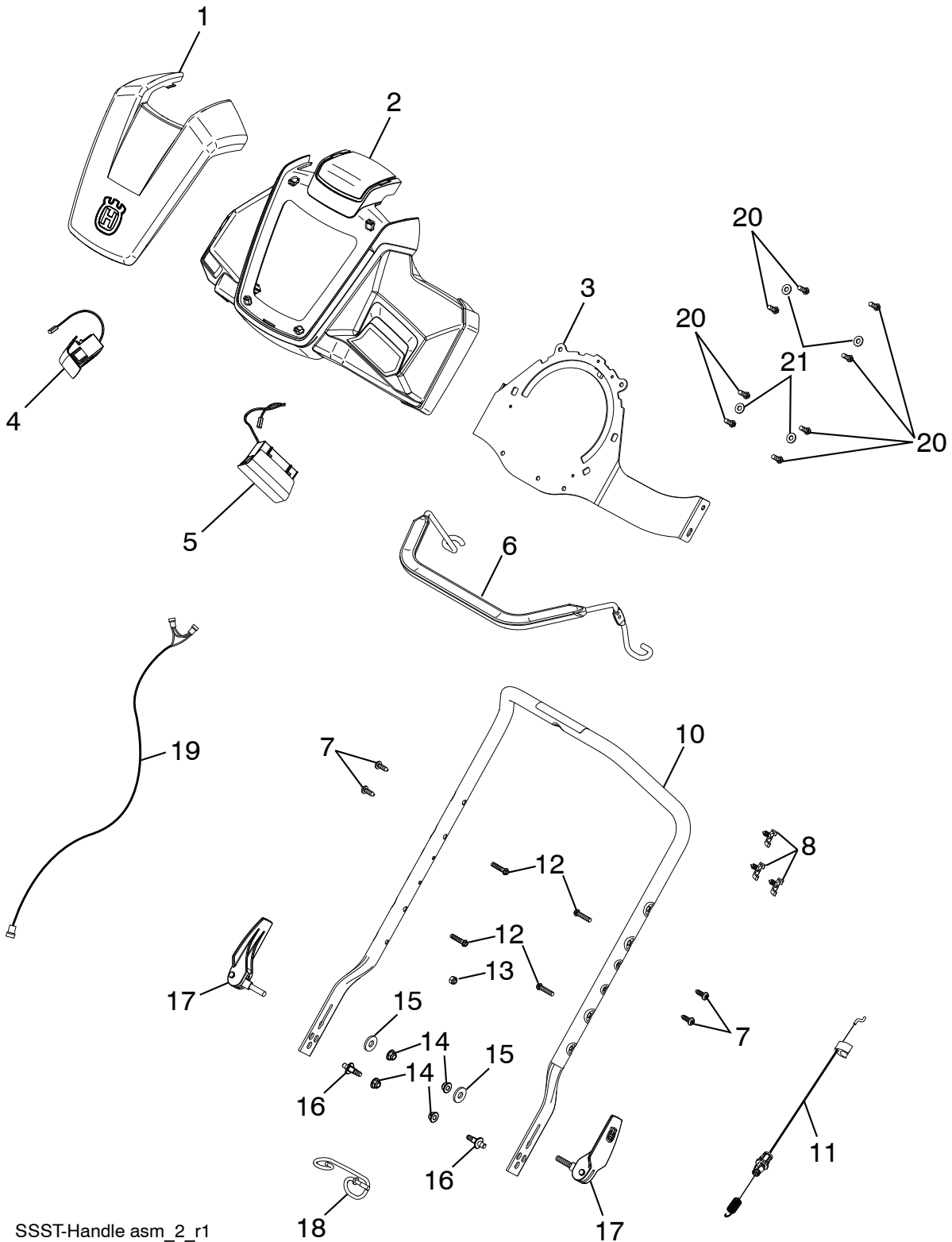
ILLUSTRATED PARTS LIST

MODEL NUMBER ST 121E

PRODUCT NUMBER 961 81 00-09

MFG. ID. NUMBER 96181000900

REPAIR PARTS SNOW THROWER - - MODEL NUMBER ST 121E (96181000900) HANDLE ASSEMBLY



SSST-Handle asm_2_r1

NOTE: All component dimensions given in U.S. inches. 1 inch = 25.4 mm
IMPORTANT: Use only Original Equipment Manufacturer (O.E.M.) replacement parts.
Failure to do so could be hazardous, damage your snow thrower and void your warranty.

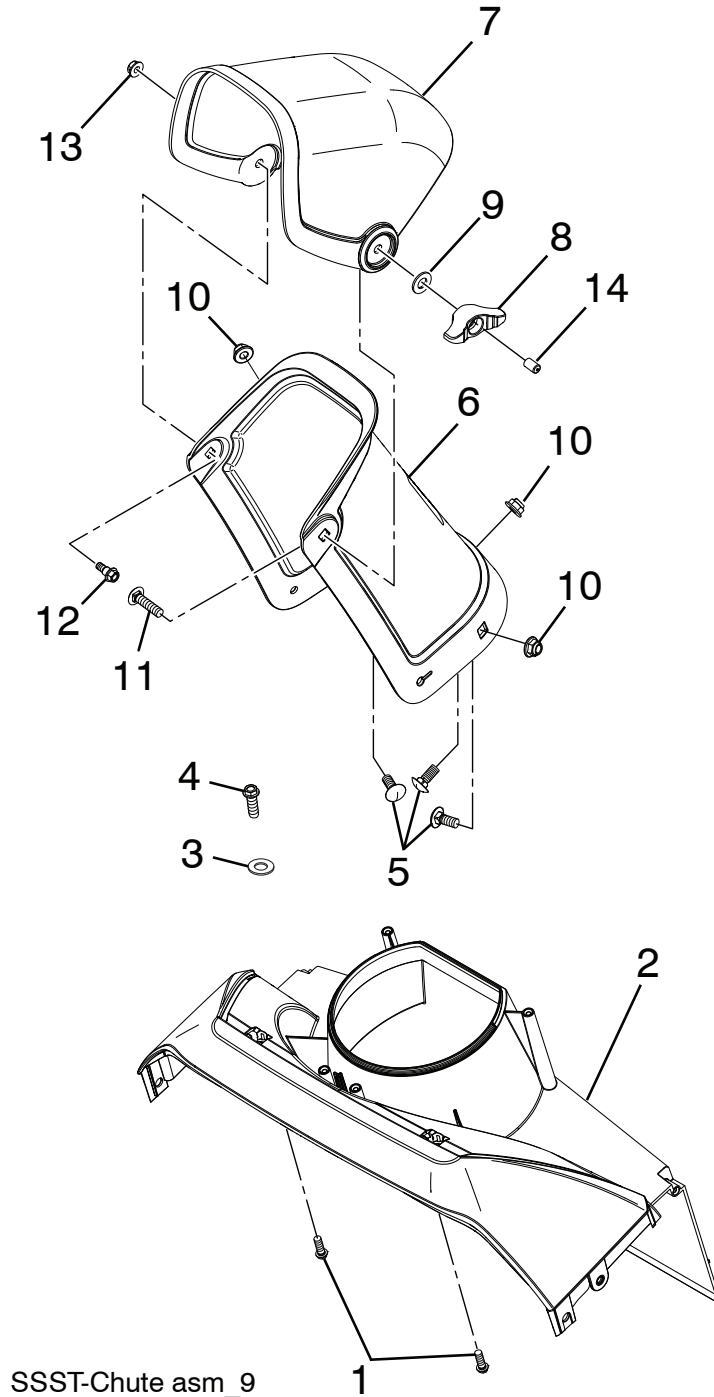
REPAIR PARTS SNOW THROWER - - MODEL NUMBER ST 121E (96181000900) HANDLE ASSEMBLY

KEY NO.	PART NO.	QTY	DESCRIPTION
1	532 44 32-45	1	SUBASM.CONTROL.SHROUD
2	532 44 16-24	1	COVER.HANDLE.LG.SHROUD
3	532 44 33-18	1	BRACKET.SUPPORT - DCC - STAMP - BLK
4	532 44 27-75	1	SUBASM.RH.LED
5	532 44 27-76	1	SUBASM.LH.LED
6	532 44 34-33	1	BAIL.OVERMOLD.ASM
7	532 44 22-50	4	SCREW.PAN.HD.TORX 1/4-20 X .750
8	532 14 50-06	3	CLIP.PUSH-IN.HINGED
10	532 44 34-32	1	HANDLE.UPPER.ERGO.MS498
11	532 44 30-18	1	CABLE.CLUTCH.SSST.SHORT
12	817 41 13-18	4	HEX.WASHER.HEAD 13-16 X 1.125
13	532 13 20-04	1	HEX.NUT.1/4-20.NYLON.LOCKING
14	532 44 22-48	4	NUT.5/16-18.FLANGE.NYLOCK.BLK
15	532 85 10-74	2	WASHER.HARD
16	532 18 88-21	2	BOLT.HANDLE.ADJ
17	532 44 30-21	2	SUBASM.QUICK.ADJUST.COLD
18	532 44 22-34	1	GUIDE.ROPE
19	532 44 30-46	1	HARNES.S.LED
20	817 41 13-12	8	BOLT.HEX.WSH 13-16 X 3/4
21	819 09 10-16	4	WASHER.9/32 X 5/8 X 16 GA

NOTE: All component dimensions given in U.S. inches. 1 inch = 25.4 mm
IMPORTANT: Use only Original Equipment Manufacturer (O.E.M.) replacement parts.
 Failure to do so could be hazardous, damage your snow thrower and void your warranty.

REPAIR PARTS SNOW THROWER - - MODEL NUMBER ST 121E (96181000900)

CHUTE ASSEMBLY



SSST-Chute asm_9

NOTE: All component dimensions given in U.S. inches. 1 inch = 25.4 mm
IMPORTANT: Use only Original Equipment Manufacturer (O.E.M.) replacement parts. Failure to do so could be hazardous, damage your snow thrower and void your warranty.

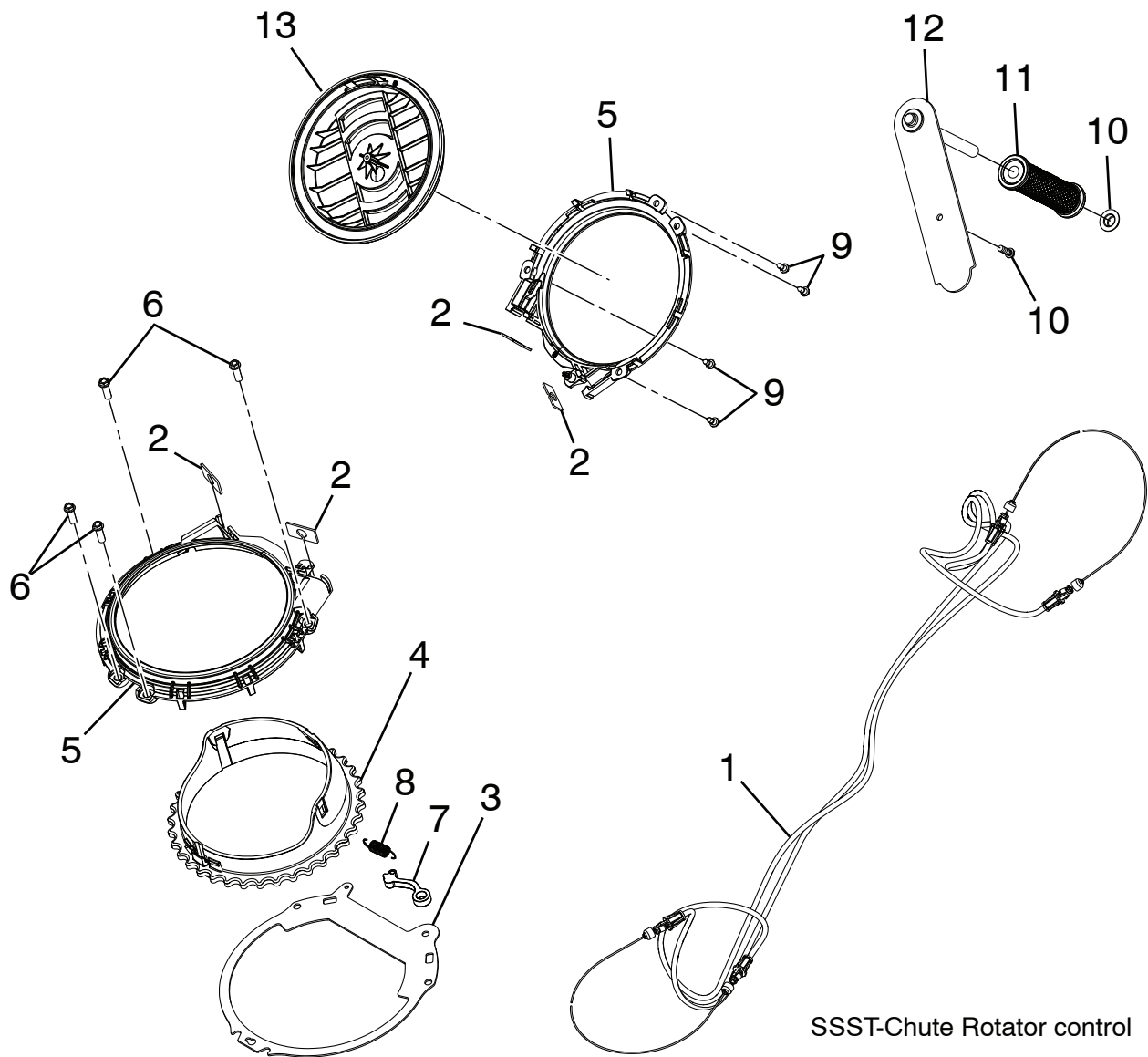
**REPAIR PARTS SNOW THROWER - - MODEL NUMBER ST 121E (96181000900)
CHUTE ASSEMBLY**

KEY NO.	PART NO.	QTY	DESCRIPTION
1	817 41 13-12	2	BOLT.HEX.WSH.HD.13-16 X 3/4
2	532 44 34-25	1	PLENUM.MS498
3	819 13 13-16	1	WASHER
4	532 42 88-67	1	BOLT
5	872 01 05-06	3	CARRIAGE.BOLT
6	532 44 41-51	1	CHUTE.MS498
7	532 44 34-31	1	DEFLECTOR.CHUTE.MS498
8	532 19 19-38	1	HANDLE.KNOB
9	532 85 10-74	1	WASHER.HARDEN
10	873 95 05-00	3	NUT.5/16-18.FLANGE.NYLOCK.BLK
11	872 11 05-10	1	CARRIAGE BOLT 5/16-18
12	532 44 46-82	1	SHOULDER BOLT 1/4-20
13	873 13 20-04	1	NUT 1/4-20 FLAGNE LOCK
14	532 07 16-73	1	CAP PLUNGER

NOTE: All component dimensions given in U.S. inches. 1 inch = 25.4 mm
IMPORTANT: Use only Original Equipment Manufacturer (O.E.M.) replacement parts.
 Failure to do so could be hazardous, damage your snow thrower and void your warranty.

REPAIR PARTS SNOW THROWER - - MODEL NUMBER ST 121E (96181000900)

CHUTE ROTATOR CONTROL ASSEMBLY



SSST-Chute Rotator control

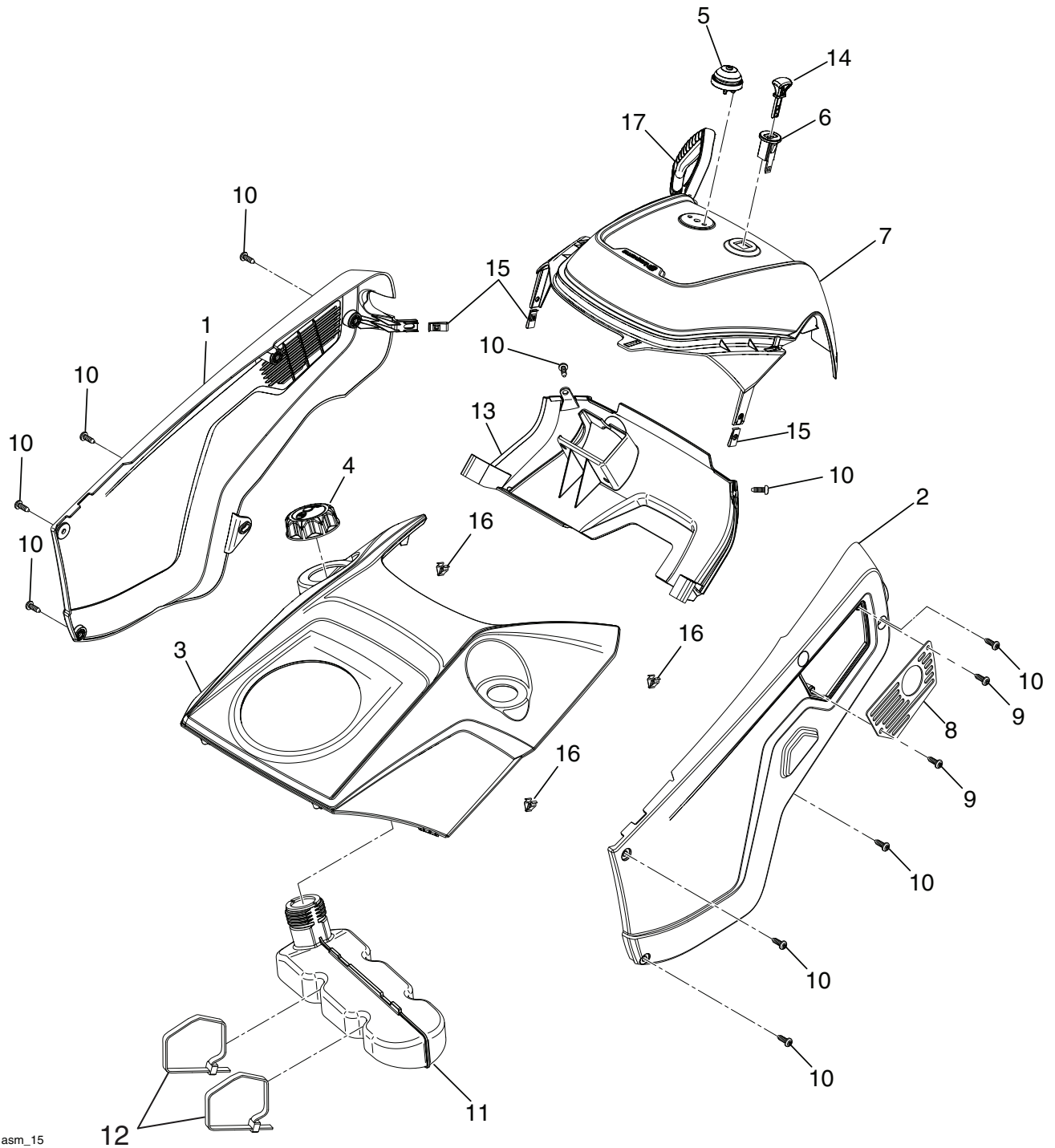
NOTE: All component dimensions given in U.S. inches. 1 inch = 25.4 mm
IMPORTANT: Use only Original Equipment Manufacturer (O.E.M.) replacement parts.
Failure to do so could be hazardous, damage your snow thrower and void your warranty.

**REPAIR PARTS SNOW THROWER - - MODEL NUMBER ST 121E (96181000900)
CHUTE ROTATOR CONTROL ASSEMBLY**

KEY NO.	PART NO.	QTY	DESCRIPTION
1	532 43 68-05	2	CABLE.DCC
2	532 43 68-06	4	CABLE.BRACKET_DCC
3	532 43 76-35	1	PLATE.CHUTE.BASE.PNT.MS431
4	532 44 39-39	1	CHUTE.BASE.DCC
5	532 44 39-38	2	RING.RETAINING.CHUTE.SSST
6	817 41 13-12	5	BOLT.HEX.WSH.HD.13-16 X 3/4
7	532 43 48-78	1	ARM.CHUTE.RATCHET
8	532 40 65-58	1	SPRING.RETURN.RGD
9	532 44 22-50	4	SCREW.PAN.HD.TORX 1/4-20 X .750
10	532 43 54-17	1	NUT.PUSH.AXLE.0.5IN
11	532 44 28-35	1	GRIP.HANDLE.SUBASM
12	532 43 68-90	1	HANDLE.SUBASM.PIVOT
13	532 44 39-40	1	PULLEY.RING.DCC

NOTE: All component dimensions given in U.S. inches. 1 inch = 25.4 mm
IMPORTANT: Use only Original Equipment Manufacturer (O.E.M.) replacement parts.
 Failure to do so could be hazardous, damage your snow thrower and void your warranty.

REPAIR PARTS SNOW THROWER - - MODEL NUMBER ST 121E (96181000900) SHROUD ASSEMBLY



SSST-Shroud asm_15

NOTE: All component dimensions given in U.S. inches. 1 inch = 25.4 mm
IMPORTANT: Use only Original Equipment Manufacturer (O.E.M.) replacement parts.
Failure to do so could be hazardous, damage your snow thrower and void your warranty.

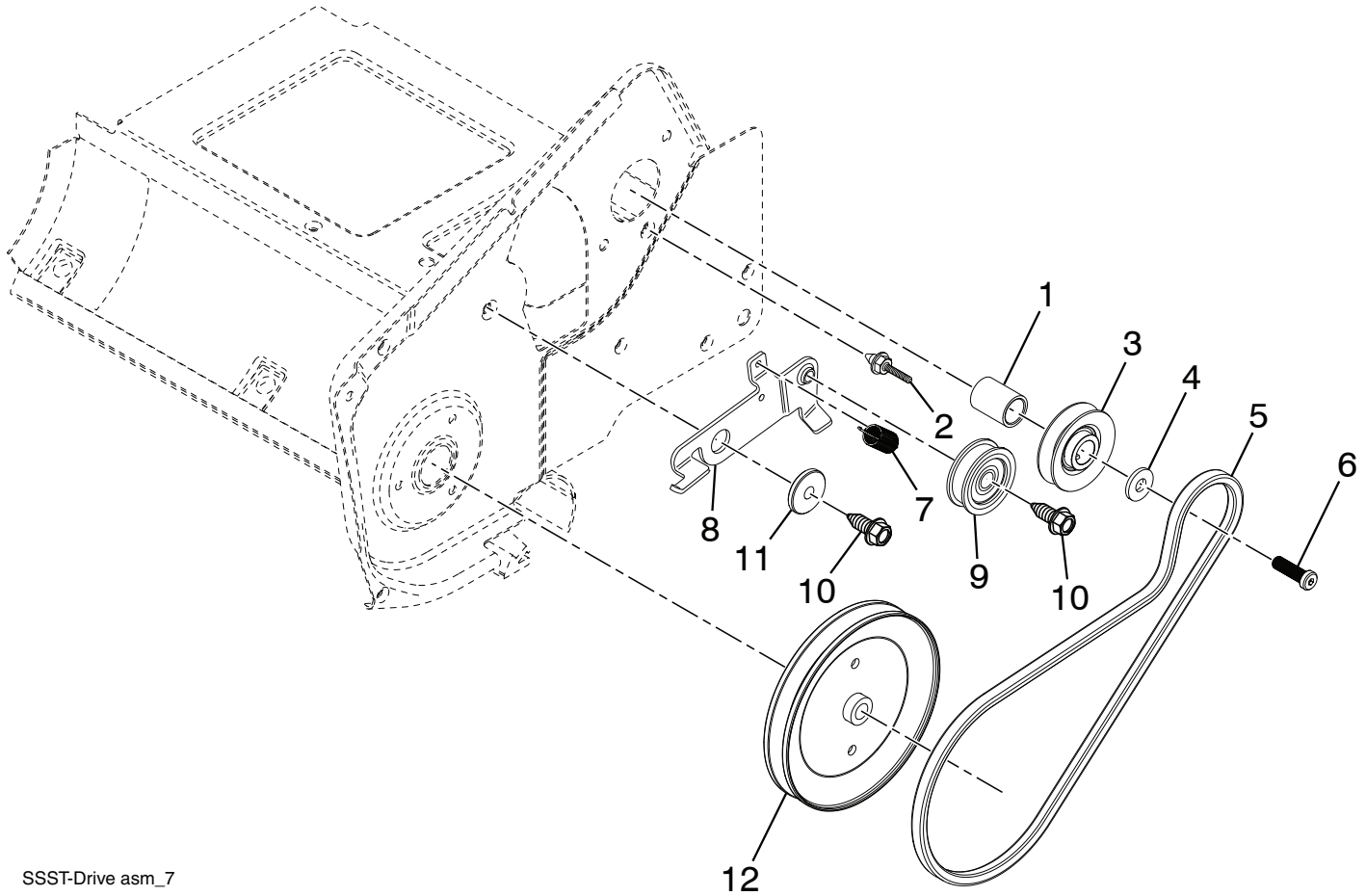
**REPAIR PARTS SNOW THROWER - - MODEL NUMBER ST 121E (96181000900)
SHROUD ASSEMBLY**

KEY NO.	PART NO.	QTY	DESCRIPTION
1	532 44 34-26	1	COVER.NON-DRIVE.SIDE.MS428
2	532 44 39-73	1	COVER.DRIVE.SIDE.MS428
3	532 44 41-33	1	TOP.COVER
4	532 43 02-20	1	CAP.ASM.FUEL.2.25"FR.N/CB.E10
5	532 43 62-35	1	BULB.PRIMER
6	532 43 54-07	1	KEY HOUSING
7	532 44 41-37	1	TOP.REAR.COVER
8	532 43 76-31	1	PLATE.EXHAUST.PNT.
9	817 41 13-12	2	SCREW.HI-LO
10	532 44 22-50	12	TORX.1/4-20X3/4.SCREW
11	532 43 48-80	1	TANK.FUEL.ASM
12	532 14 68-48	2	TIE.CABLE.24.5X.29.NYLON.WHITE
13	532 44 34-24	1	COVER.REAR.LOWER
14	532 44 30-69	2	KEY
15	532 43 48-68	3	CLIP.TRIM
16	532 19 66-88	3	CLIP.THREADED
17	532 44 30-70	1	HANDLE.STARTER

NOTE: All component dimensions given in U.S. inches. 1 inch = 25.4 mm
IMPORTANT: Use only Original Equipment Manufacturer (O.E.M.) replacement parts.
 Failure to do so could be hazardous, damage your snow thrower and void your warranty.

REPAIR PARTS SNOW THROWER - - MODEL NUMBER ST 121E (96181000900)

DRIVE ASSEMBLY



SSST-Drive asm_7

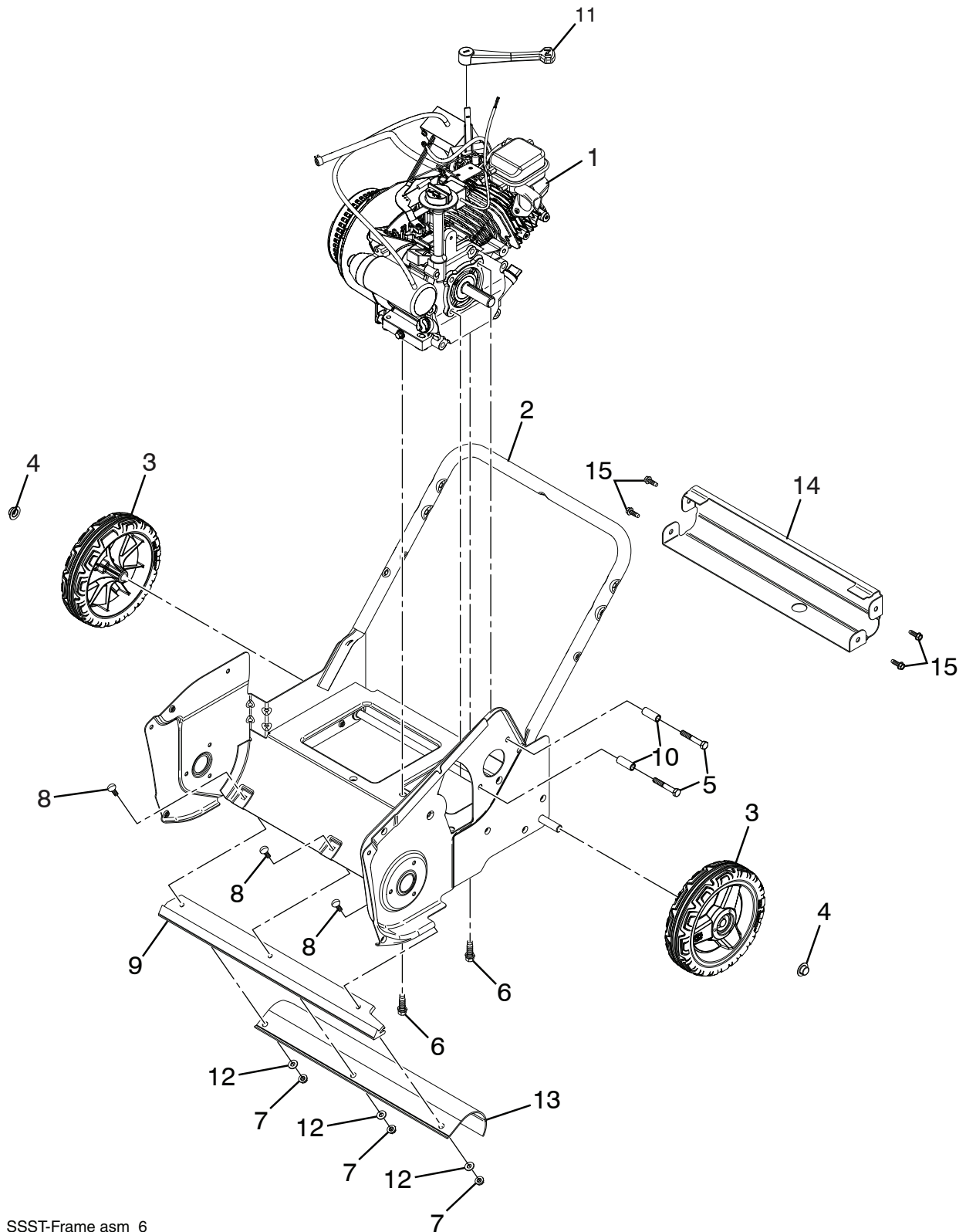
NOTE: All component dimensions given in U.S. inches. 1 inch = 25.4 mm
IMPORTANT: Use only Original Equipment Manufacturer (O.E.M.) replacement parts.
Failure to do so could be hazardous, damage your snow thrower and void your warranty.

**REPAIR PARTS SNOW THROWER - - MODEL NUMBER ST 121E (96181000900)
DRIVE ASSEMBLY**

KEY NO.	PART NO.	QTY	DESCRIPTION
1	532 43 48-60	1	SPACER.ENGINE.CRANK
2	532 43 45-02	1	KEEPER.ENGINE.BELT
3	532 42 64-90	1	PULLEY.ENG.TRACTION.3/4
4	532 85 10-74	1	WASHER.HARDEN
5	532 43 72-61	1	BELT-V.TRACTION
6	532 43 08-17	1	SCREW.CAP.SCHD.3/8-24 X 1.25
7	532 43 48-59	1	SPRING.IDLER.PULLEY.RETURN
8	532 43 76-09	1	ARM.IDLER.PNT.MS431
9	532 16 60-43	1	PULLEY.IDLER.BACKSIDE
10	817 06 06-20	2	SCREW.3/8-16 X 1.SMGML.TAP/R
11	532 19 90-92	1	SPACER.RETAINER
12	532 43 53-83	1	PULLEY.DRIVEN

NOTE: All component dimensions given in U.S. inches. 1 inch = 25.4 mm
IMPORTANT: Use only Original Equipment Manufacturer (O.E.M.) replacement parts.
 Failure to do so could be hazardous, damage your snow thrower and void your warranty.

REPAIR PARTS SNOW THROWER - - MODEL NUMBER ST 121E (96181000900) FRAME ASSEMBLY



SSST-Frame asm_6

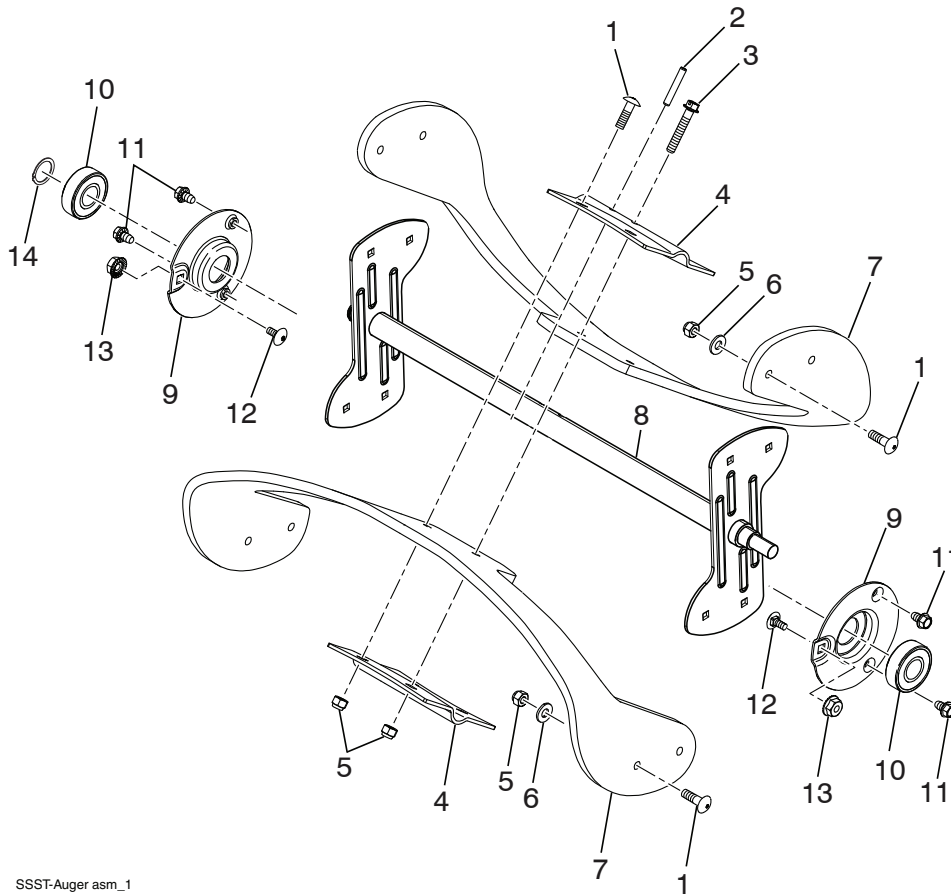
NOTE: All component dimensions given in U.S. inches. 1 inch = 25.4 mm
IMPORTANT: Use only Original Equipment Manufacturer (O.E.M.) replacement parts.
Failure to do so could be hazardous, damage your snow thrower and void your warranty.

**REPAIR PARTS SNOW THROWER - - MODEL NUMBER ST 121E (96181000900)
FRAME ASSEMBLY**

KEY NO.	PART NO.	QTY	DESCRIPTION
1	532 44 21-60	1	ALTERNATOR.208.ESTRT.W/18WCE
2	532 44 47-23	1	FRAME.WELDMENT.SSST
3	532 44 28-25	2	WHEEL.HUSQVARNA
4	532 43 54-17	2	NUT.PUSH.AXLE.0.5IN
5	532 43 55-78	2	SCREW.5/16-24 X 2.00"HHCS
6	532 15 04-06	2	BOLT.ENG. 3/8-16 X 1.280
7	532 19 17-30	3	NUT.HEX.FLANGE.1/4-20.CTR.LOCK
8	872 11 04-07	3	BOLT.RDHD.SQNK.1/4-20 UNC X 7/8
9	532 44 29-42	1	BAR.SCRAPPER.HDPE
10	532 43 48-57	2	SPACER.ENGINE
11	532 43 48-74	1	LEVER.CHOKE
12	819 09 10-16	3	WASHER.9/32 X 5/8 X 16 GA.
13	532 44 21-46	1	SKIRT.SCRAPPER.SSST
14	532 44 18-32	1	SUPPORT.SSST.REAR.FRAME
15	817 49 04-12	4	TORX.1/4-20 X 3/4.SCREW

NOTE: All component dimensions given in U.S. inches. 1 inch = 25.4 mm
IMPORTANT: Use only Original Equipment Manufacturer (O.E.M.) replacement parts.
 Failure to do so could be hazardous, damage your snow thrower and void your warranty.

REPAIR PARTS SNOW THROWER - - MODEL NUMBER ST 121E (96181000900) AUGER ASSEMBLY



SSST-Auger asm_1

NOTE: All component dimensions given in U.S. inches. 1 inch = 25.4 mm
IMPORTANT: Use only Original Equipment Manufacturer (O.E.M.) replacement parts.
Failure to do so could be hazardous, damage your snow thrower and void your warranty.

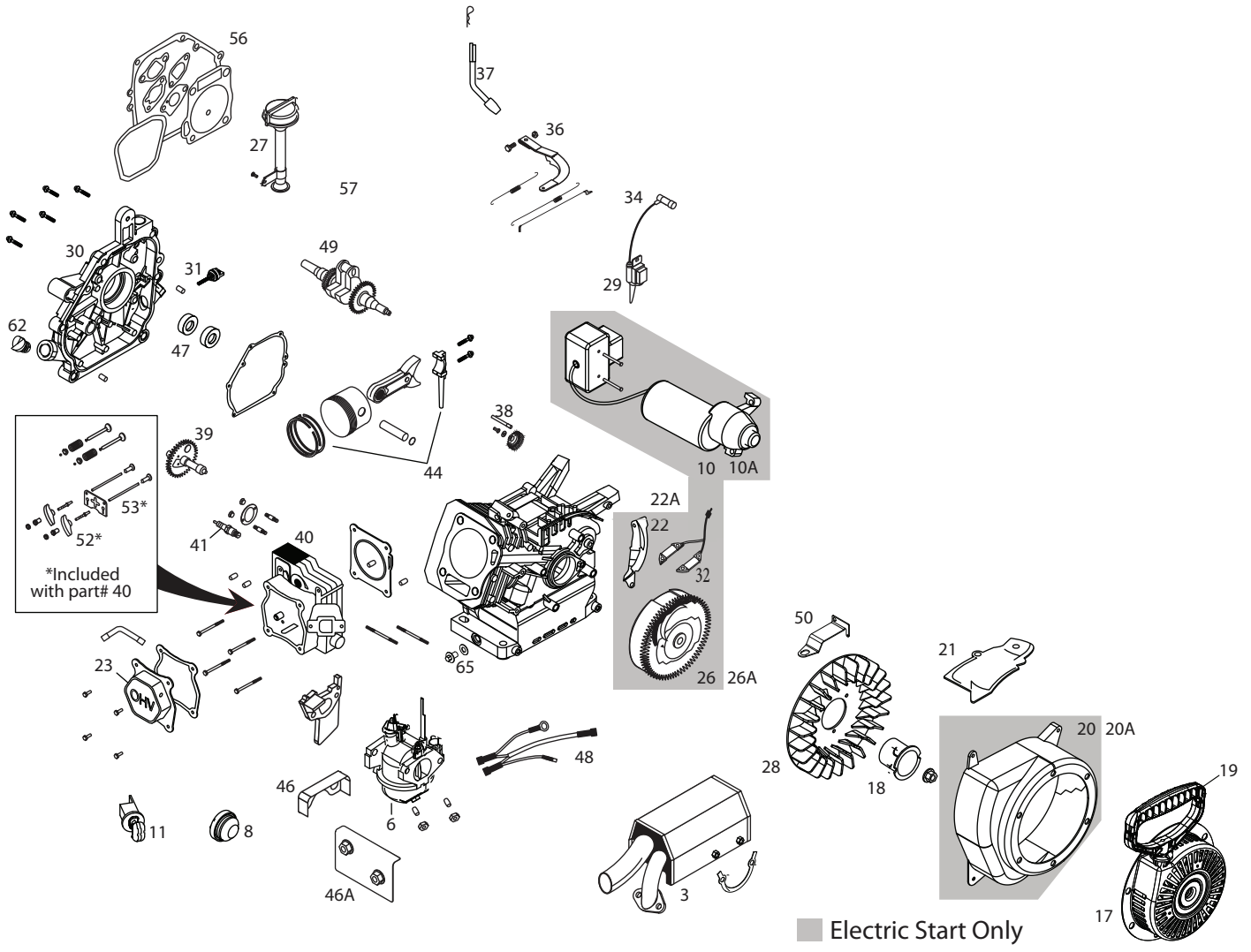
**REPAIR PARTS SNOW THROWER - - MODEL NUMBER ST 121E (96181000900)
AUGER ASSEMBLY**

KEY NO.	PART NO.	QTY	DESCRIPTION
1	872 11 04-07	12	BOLT.CARRIAGE
2	532 43 76-20	1	PIN.ROLL.3/16 X 1-1/4
3	532 19 96-87	1	BOLT.1/4-20.1.50"
4	532 43 76-18	2	PLATE.CENTER.BLADE
5	532 13 20-04	13	HEX.NUT.1/4-20 NYLON LOCKING
6	819 09 10-16	8	WASHER 9/32 X 5/8 X 16 GA.
7	532 44 27-59	2	BLADE.AUGER
8	532 43 76-17	1	WELDMENT.AUGER.ASM
9	532 43 76-21	2	SUPPORT.BEARING.SSST.PNT
10	532 43 76-22	2	BEARING.BALL.MANDREL
11	817 60 04-06	4	SCREW.HEX.WASHEAD.1/4-20 X 3/8
12	872 11 04-04	2	BOLT.CARR.SS.1/4-20 UNC X 1/2.GR5
13	532 43 81-30	2	WHIZ.LOCK.NUTS.BEARING CAPS
14	812 00 00-28	1	RETAINING.CLIP

NOTE: All component dimensions given in U.S. inches. 1 inch = 25.4 mm
IMPORTANT: Use only Original Equipment Manufacturer (O.E.M.) replacement parts.
 Failure to do so could be hazardous, damage your snow thrower and void your warranty.

REPAIR PARTS SNOW THROWER -- MODEL NUMBER ST 121E (96181000900)
ENGINE, LCT **COMPLETE ENGINE-442160**

StormForce 442160



rev. 6/8/11

REPAIR PARTS SNOW THROWER - - MODEL NUMBER ST 121E (96181000900)
ENGINE, LCT **COMPLETE ENGINE-442160**

KEY NO.	PART NO.	DESCRIPTION	KEY NO.	PART NO.	DESCRIPTION
3	532 44 42-77	MUFFLER ASSEMBLY-SNOW	27	532 44 40-91	HIGH OIL FILL TUBE ASSY (ROUND)
6	532 43 71-22	SNOW CARBURETOR ASSY	28	532 42 05-86	FLYWHEEL FAN
8	532 43 71-23	FUEL PRIMER BULB WITH HOSE	29	532 44 38-94	IGNITION COIL ASSY (HI-TEMP)
10	532 43 71-24	ELECTRIC STARTER ASSY	30	532 42 06-06	CRANKCASE COVER ASSY
10A	532 43 71-25	EUROPEAN 230V ELECTRIC STARTER	31	532 42 09-61	BLACK OIL DIPSTICK
11	532 42 49-54	KEY SWITCH ASSY	34	532 43 69-66	SPARK PLUG BOOT
17	532 43 69-67	RECOIL STARTER ASSEMBLY-SNOW	36	532 42 06-01	GOVERNOR ARM ASSY
18	532 43 69-68	STARTER CUP SMALL	37	532 42 06-02	GOVERNOR SHAFT
19	532 44 38-99	SNOW STARTER GRIP (DELUXE)	38	532 42 96-46	GOVERNOR GEAR ASSY
20	532 42 49-71	BLOWER HOUSING ASSEMBLY ELECTRIC START - SNOW (BLACK)	39	532 42 05-84	CAMSHAFT
20A	532 42 92-30	BLOWER HOUSING ASSEMBLY MANUAL START - SNOW (BLACK)	40	532 42 05-78	CYLINDER HEAD ASSY
21	532 42 49-73	SHIELD, CYLINDER	41	532 42 49-39	SPARK PLUG
22	532 42 49-75	SHIELD, FLYWHEEL - ELECTRIC START (IF EQUIPPED)	44	532 42 05-82	PISTON AND ROD ASSY
22A	532 42 95-96	SHIELD, FLYWHEEL - MANUAL START	46	532 42 92-60	VAPOR SHIELD
23	532 42 05-80	VALVE COVER	46A	532 44 42-75	INTAKE SHIELD
26	532 42 92-35	ELECTRIC START FLYWHEEL ASSY	47	532 42 95-99	SEAL KIT
26A	532 42 05-85	MANUAL START FLYWHEEL ASSY	48	532 43 79-67	WIRE HARNESS
			49	532 42 96-00	CRANKSHAFT
			50	532 42 92-59	SPEED CONTROL BRACKET
			52	532 42 96-91	ROCKER ARM KIT
			53	532 42 05-79	PUSH ROD KIT
			54	532 43 65-67	CYLINDER ASSEMBLY
			56	532 42 96-01	GASKET KIT
			57	532 43 80-14	FUEL HOSE KIT
			62	532 43 54-95	NON-REMOVABLE OIL PLUG
			65	532 43 54-95	OIL DRAIN PLUG KIT

