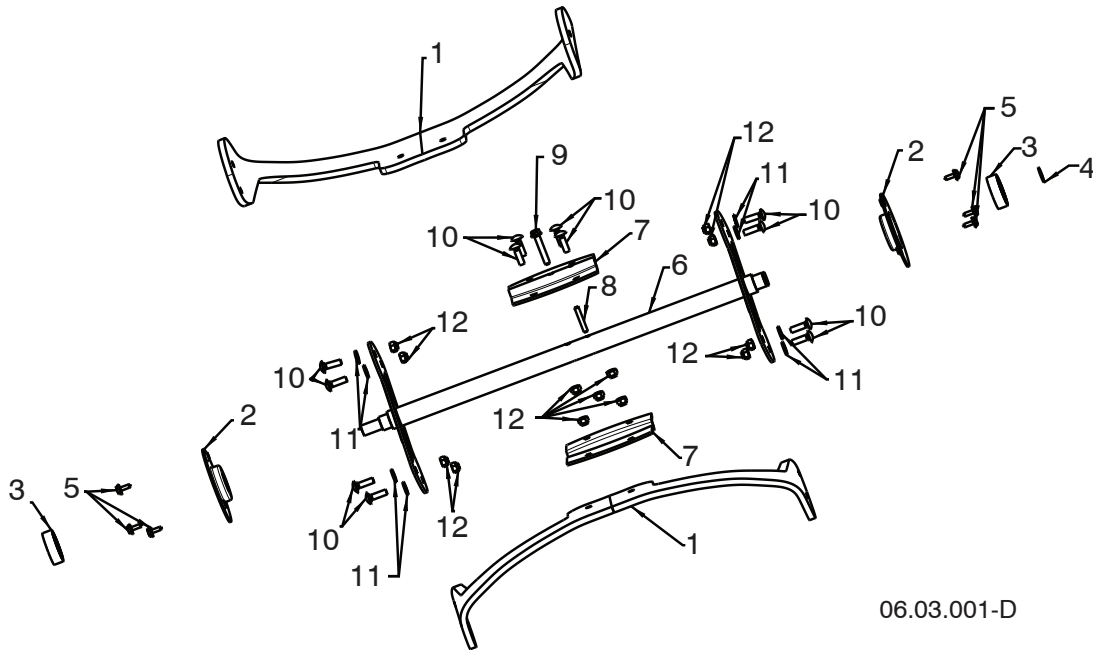


ILLUSTRATED PARTS LIST

MODEL NUMBER ST 121E
PRODUCT NUMBER 961 81 00-09
MFG. ID. NUMBER 96181000903

**REPAIR PARTS SNOW THROWER - - MODEL NUMBER ST 121E (96181000903)
AUGER ASSEMBLY**



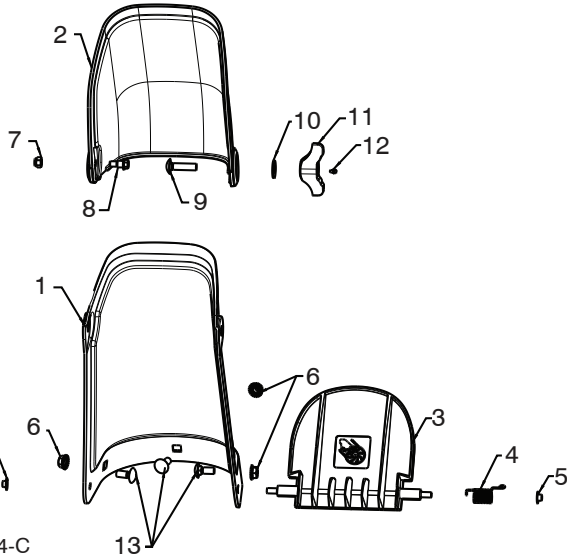
06.03.001-D

KEY NO.	PART NO.	DESCRIPTION
1	532 44 27-59	BLADE
2	580 85 55-01	BEARING SUPPORT
3	532 43 76-22	BALL BEARING
4	812 00 00-28	RETAINING RING
5	817 06 04-08	1/4-20 X 3/8 HEX SCREW
6	532 43 76-17	AUGER WELDMENT
7	580 85 54-01	CENTER BLADE PLATE
8	532 43 76-20	ROLL PIN
9	532 19 96-87	SCREW HEX WS HD 1/4-20 X 1.5
10	872 11 04-07	BOLT CARRIAGE 1/4-20 X 7/8
11	819 09 10-16	WASHER FLAT 1/4 SAE
12	532 13 20-04	NUT HEX 1/4-20 BZO

NOTE: All component dimensions given in U.S. inches. 1 inch = 25.4 mm
IMPORTANT: Use only Original Equipment Manufacturer (O.E.M.) replacement parts.
 Failure to do so could be hazardous, damage your snow thrower and void your warranty.

REPAIR PARTS SNOW THROWER - - MODEL NUMBER ST 121E (96181000903)

CHUTE ASSEMBLY

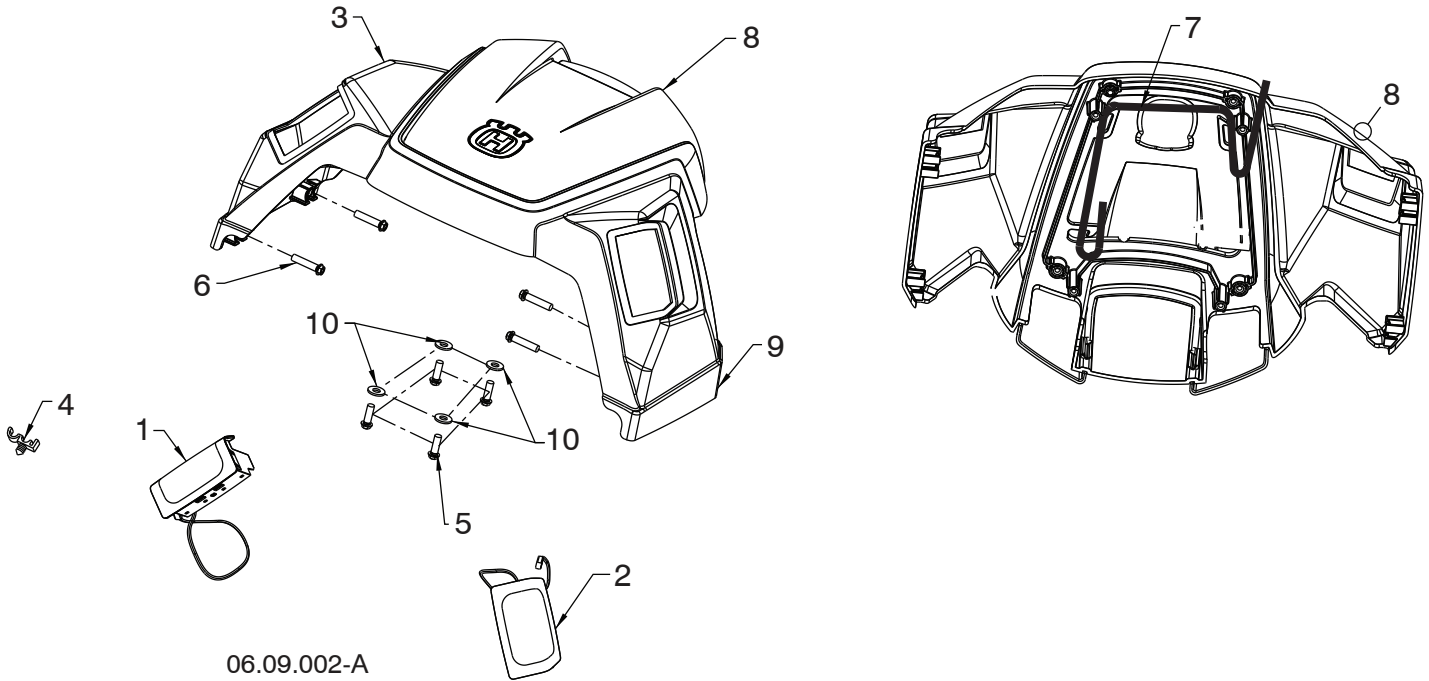


06.05.004-C

KEY NO.	PART NO.	DESCRIPTION
1	532 44 41-51	CHUTE (GREY)
2	532 44 34-31	DEFLECTOR (GREY)
3	532 44 41-40	GUARD (GREY)
4	532 43 66-22	SPRING
5	532 44 22-51	PUSH NUT
6	873 97 05-00	NUT LOCK HEX W/INS 5/16-18 UNC PL
7	532 13 20-04	NUT HEX 1/4-20 NYLON LOCKING
8	532 44 46-82	SHOULDER BOLT 1/4-20 HEX HEAD
9	872 11 05-10	CARRIAGE BOLT 5/16-18 X 1-1/4
10	819 13 13-16	WASHER 13/32 X 13/16 X 16 GA
11	532 19 19-38	WING KNOB
12	532 07 16-73	CAP PLUNGER
13	872 01 05-06	CARRIAGE BOLT 5/16-18 UNC X 1

NOTE: All component dimensions given in U.S. inches. 1 inch = 25.4 mm
IMPORTANT: Use only Original Equipment Manufacturer (O.E.M.) replacement parts. Failure to do so could be hazardous, damage your snow thrower and void your warranty.

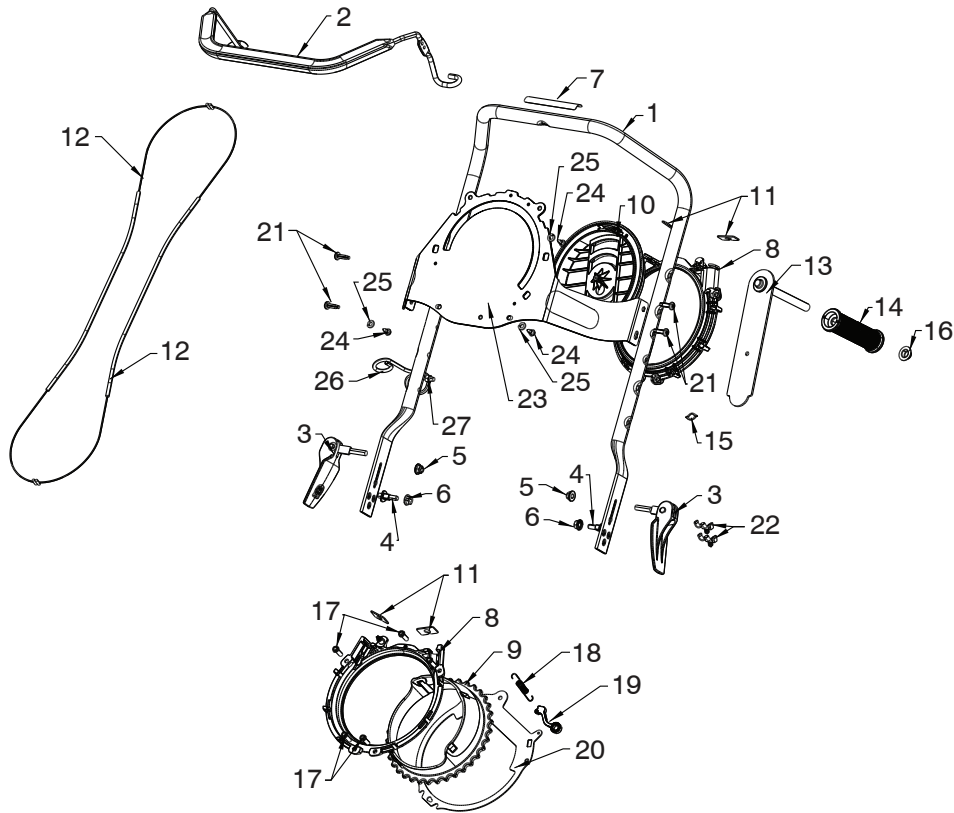
REPAIR PARTS SNOW THROWER - - MODEL NUMBER ST 121E (96181000903) HANDLE ASSEMBLY



KEY NO.	PART NO.	DESCRIPTION
1	580 68 05-01	RH LED SUBASM
2	580 68 05-02	LH LED SUBASM
3	581 00 88-01	SHROUD CONTROL ASM
4	532 14 50-06	PUSH IN CLIP
5	817 41 13-12	SCREW HI-LO 3/4"
6	817 41 13-18	SCREW HI-LO 1-1/8"
7	532 44 30-46	WIRING HARNESS
8	532 44 32-45	SHROUD ASM SM
9	532 44 16-24	SHROUD LG
10	819 09 10-16	WASHER FLAT 1/4 SAE

NOTE: All component dimensions given in U.S. inches. 1 inch = 25.4 mm
IMPORTANT: Use only Original Equipment Manufacturer (O.E.M.) replacement parts.
 Failure to do so could be hazardous, damage your snow thrower and void your warranty.

REPAIR PARTS SNOW THROWER - - MODEL NUMBER ST 121E (96181000903) HANDLE ASSEMBLY



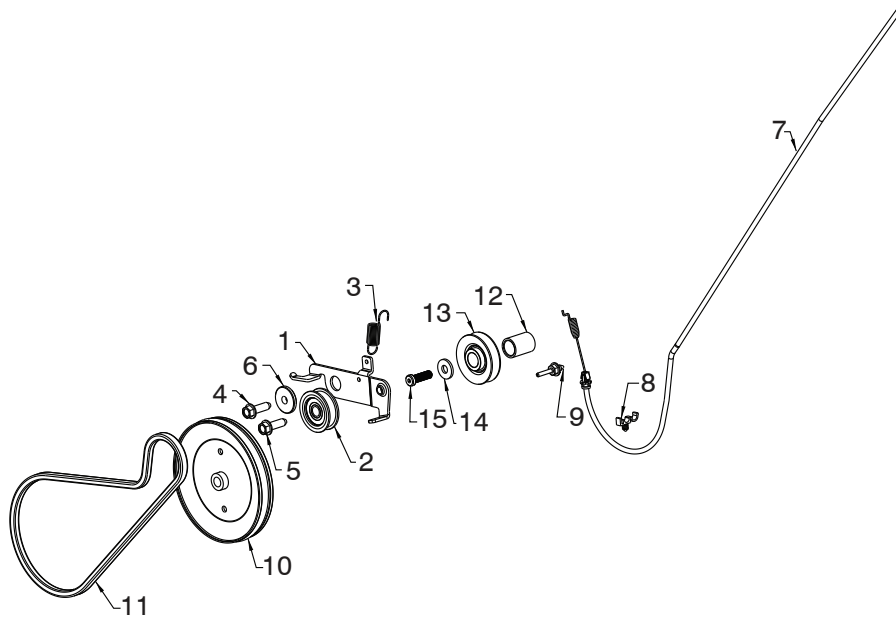
06.07.005-A

KEY NO.	PART NO.	DESCRIPTION	KEY NO.	PART NO.	DESCRIPTION
1	532 44 34-32	UPPER HANDLE ERGO GRAY	16	532 43 54-17	NUT PUSH AXLE .05"
2	532 44 34-33	OVERMOLD BAIL ASM HUSQ	17	817 41 13-12	SCREW HEX WSHHD #13 X .750
3	532 44 30-21	QUICK ADJUST SUBASM	18	580 66 45-01	CHUTE CONTROL SPRING ROTATE
4	532 19 92-55	STUD QUICK ADJ	19	532 43 48-78	CHUTE RATCHET ARM
5	532 44 22-48	NUT 5/16-18 FLANGE NYLOCK BLACK	20	580 85 56-01	CHUTE BASE PLATE
6	873 97 05-00	NUT LOCK HEX FLANGE	21	532 44 22-50	SCREW PAN HD TORX 1/4-20 X .750
7	532 43 75-06	DECAL HANDLE BAR AUGER INSTRUCTIONAL	22	532 14 50-06	CABLE GUIDE
8	532 44 39-38	CHUTE RETAINER RING	23	580 85 59-01	SUPPORT BRACKET DDC STAMP
9	532 44 39-39	CHUTE BASE DCC BLACK	24	532 18 44-71	SCREW SHOULDER 10/24 X .62
10	532 44 39-40	PULLEY DCC RING BLACK	25	810 04 04-00	LOCKWASHER 1/4 SPLIT
11	532 43 68-06	BRACKET CABLE DCC	26	532 44 22-34	ROPE GUIDE
12	532 43 68-05	CABLE DCC	27	532 13 20-04	NUT HEX 1/4-20 BZO
13	532 43 68-90	HANDLE SUDASM PIVOT			
14	532 44 28-35	HANDLE GRIP SUBASM			
15	532 44 47-49	WASHER THREE WAVE SPRING			

NOTE: All component dimensions given in U.S. inches. 1 inch = 25.4 mm
IMPORTANT: Use only Original Equipment Manufacturer (O.E.M.) replacement parts. Failure to do so could be hazardous, damage your snow thrower and void your warranty.

REPAIR PARTS SNOW THROWER - - MODEL NUMBER ST 121E (96181000903)

DRIVE ASSEMBLY

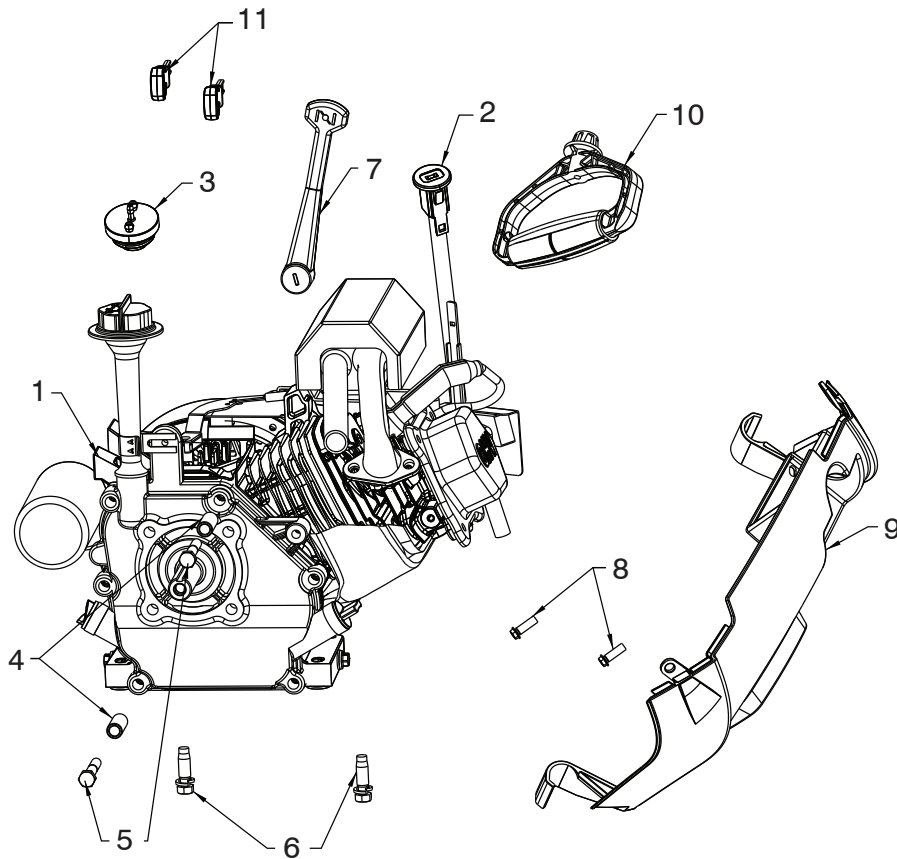


06.01.001-B

KEY NO.	PART NO.	DESCRIPTION
1	580 85 53-01	IDLER ARM
2	532 16 60-43	IDLER PULLEY
3	532 43 48-59	RETURN SPRING
4	817 06 06-20	SCREW 3/8-16 X 1-1/4 (TORQUE 13-18 FT-LBS)
5	817 06 06-20	SCREW 3/8-16 X 1-1/4 (TORQUE 22-27 FT-LBS)
6	532 19 90-92	SPACER
7	532 44 30-18	CLUTCH CABLE ASM
8	532 14 50-06	PUSH CLIP
9	532 43 45-02	BELT KEEPER
10	532 43 53-83	DRIVE PULLEY
11	532 43 72-61	BELT
12	532 43 48-60	ENGINE CRANK SPACER
13	532 42 64-90	ENGINE PULLEY
14	532 85 10-74	WASHER
15	532 43 08-17	SCREW 3/8-24 X 1/25

NOTE: All component dimensions given in U.S. inches. 1 inch = 25.4 mm
IMPORTANT: Use only Original Equipment Manufacturer (O.E.M.) replacement parts. Failure to do so could be hazardous, damage your snow thrower and void your warranty.

REPAIR PARTS SNOW THROWER - - MODEL NUMBER ST 121E (96181000903) ENGINE ASSEMBLY



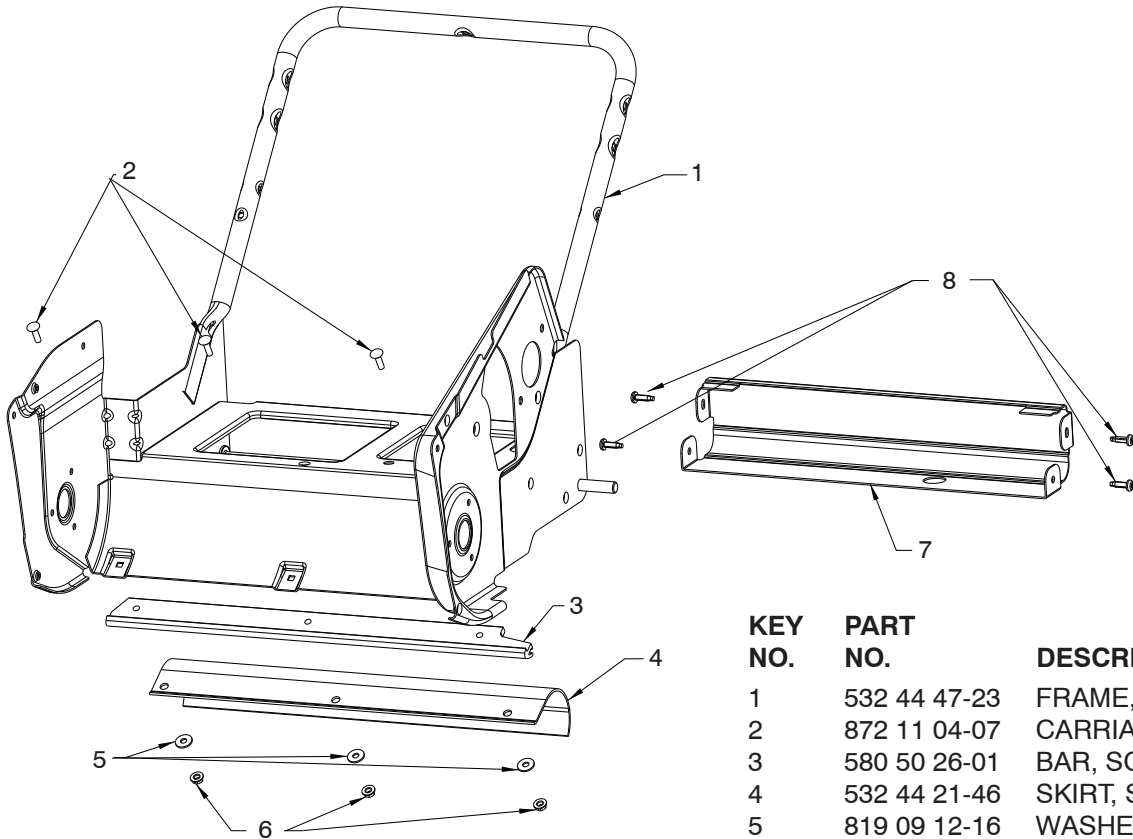
06.02.013-A

KEY NO.	PART NO.	DESCRIPTION
1	580 81 12-01	ENGINE LCT 208CC ES SSST CE PW5HK1865018Y
2	580 85 02-01	SWITCH KEY
3	532 43 62-35	PRIMER BULB
4	532 43 48-57	SPACER ENGINE
5	532 43 55-78	SCREW 5/16-24 X 2.00 HHCS
6	532 15 04-06	BOLT ENGINE 3/8-16 DOGPOINT
7	532 43 48-74	LEVER CHOKE
8	817 41 13-12	SCREW HEX WSHHD #13 X .750
9	532 44 34-24	COVER REAR LOWER SSST HUSQ
10	532 44 30-70	RECOIL HANDLE
11	532 44 39-35	KEY SET (QTY:2)

NOTE: All component dimensions given in U.S. inches. 1 inch = 25.4 mm
IMPORTANT: Use only Original Equipment Manufacturer (O.E.M.) replacement parts.
 Failure to do so could be hazardous, damage your snow thrower and void your warranty.

REPAIR PARTS SNOW THROWER - - MODEL NUMBER ST 121E (96181000903)

FRAME ASSEMBLY

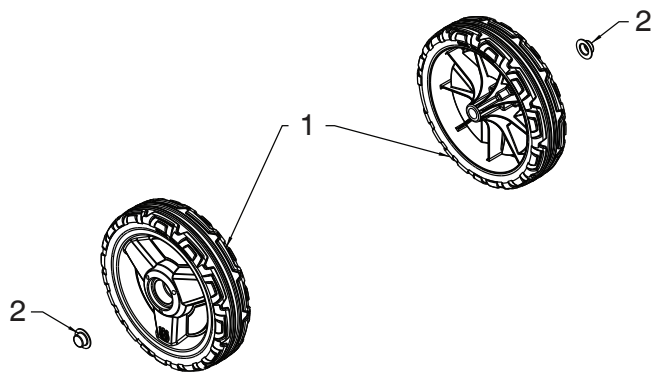


06.00.002-A

KEY NO.	PART NO.	DESCRIPTION
1	532 44 47-23	FRAME, WELDMENT
2	872 11 04-07	CARRIAGE BOLT 1/4-20 X 7/8
3	580 50 26-01	BAR, SCRAPER UHMW
4	532 44 21-46	SKIRT, SCRAPER SSST
5	819 09 12-16	WASHER 9/32 X 3/4 X 16 GA
6	532 19 17-30	NUT, HEX FLANGE 1/4-20 CTR LOCK
7	532 44 34-23	SUPPORT, SSST REAR FRAME
8	532 44 22-50	SCREW, PAN HD TORX 1/4-20 X .750

NOTE: All component dimensions given in U.S. inches. 1 inch = 25.4 mm
IMPORTANT: Use only Original Equipment Manufacturer (O.E.M.) replacement parts. Failure to do so could be hazardous, damage your snow thrower and void your warranty.

REPAIR PARTS SNOW THROWER - - MODEL NUMBER ST 121E (96181000903) FRAME ASSEMBLY



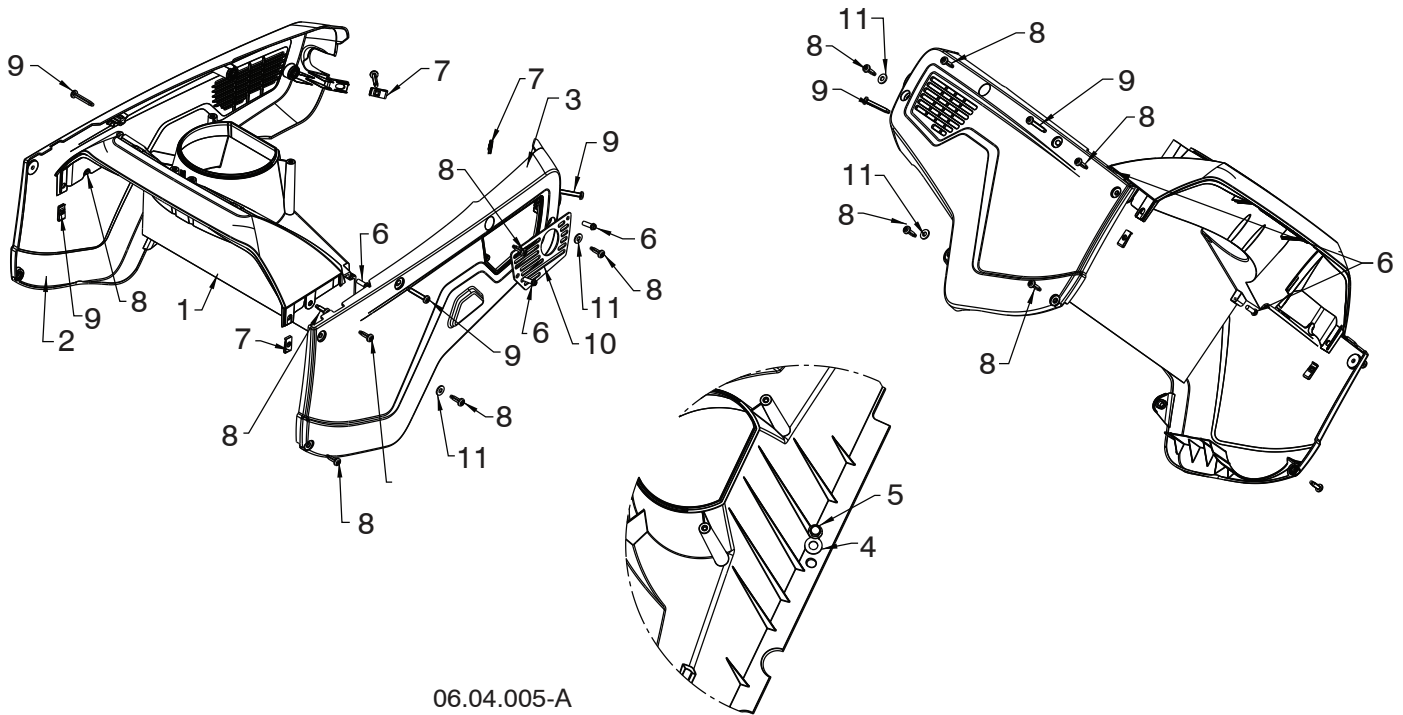
06.06.007-A

KEY NO.	PART NO.	DESCRIPTION
1	532 44 28-25	WHEEL HUSQVARNA 8"
2	532 43 54-17	PUSH NUT

NOTE: All component dimensions given in U.S. inches. 1 inch = 25.4 mm
IMPORTANT: Use only Original Equipment Manufacturer (O.E.M.) replacement parts.
Failure to do so could be hazardous, damage your snow thrower and void your warranty.

REPAIR PARTS SNOW THROWER - - MODEL NUMBER ST 121E (96181000903)

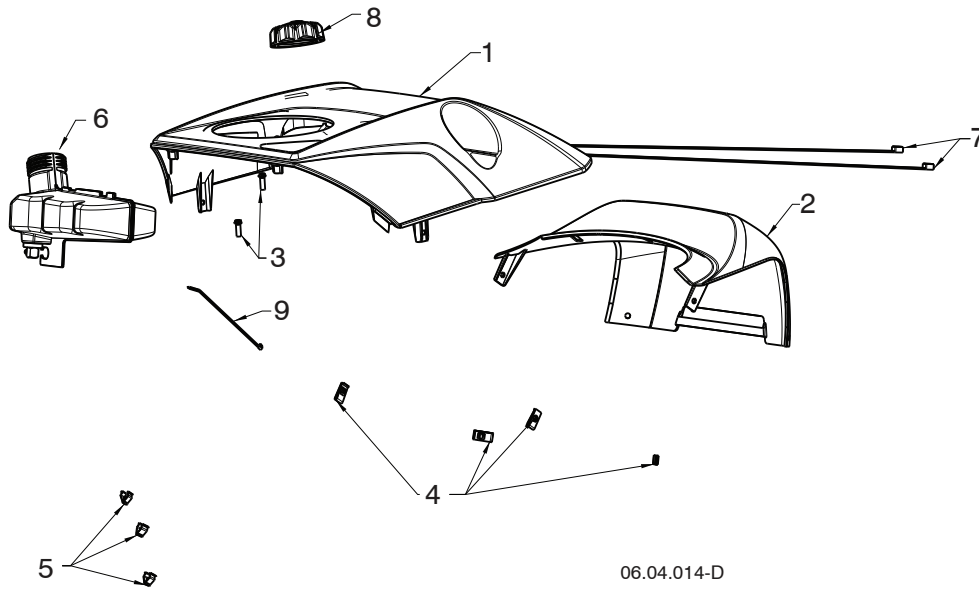
SHROUD ASSEMBLY



KEY NO.	PART NO.	DESCRIPTION
1	532 44 34-25	PLENUM
2	532 44 34-26	NON - DRIVE COVER
3	532 44 39-73	DRIVE COVER SIDE
4	819 13 13-16	WASHER 13/32 X 13/16 16 GA
5	532 42 88-67	BOLT 5/16-18 X .75
6	817 41 13-12	BOLT 13-16 X .75
7	532 19 66-88	THREADED CLIP
8	532 44 22-50	SCREW 1/4-20 X .75
9	532 44 42-62	SCREW 1/4-20 X 1.5
10	580 83 35-01	EXHAUST PLATE
11	819 09 10-16	WASHER FLAT 1/4 SAE

NOTE: All component dimensions given in U.S. inches. 1 inch = 25.4 mm
IMPORTANT: Use only Original Equipment Manufacturer (O.E.M.) replacement parts.
 Failure to do so could be hazardous, damage your snow thrower and void your warranty.

REPAIR PARTS SNOW THROWER - - MODEL NUMBER ST 121E (96181000903) SHROUD ASSEMBLY



06.04.014-D

KEY NO.	PART NO.	DESCRIPTION
1	532 44 41-33	TOP COVER
2	532 44 41-37	REAR UPPER COVER
3	817 41 13-12	BOLT 13-16 X .75
4	532 19 66-88	THREADED CLIP
5	532 43 48-68	TRIM CLIP
6	580 98 26-01	FUEL TANK ASSEMBLY
7	532 14 68-48	CABLE TIE
8	581 07 55-01	FUEL CAP/GASKET
9	532 44 46-49	P-CLIP

NOTE: All component dimensions given in U.S. inches. 1 inch = 25.4 mm
IMPORTANT: Use only Original Equipment Manufacturer (O.E.M.) replacement parts.
 Failure to do so could be hazardous, damage your snow thrower and void your warranty.

**REPAIR PARTS SNOW THROWER -- MODEL NUMBER ST 121E (96181000903)
ENGINE, LCT COMPLETE ENGINE-580811201**

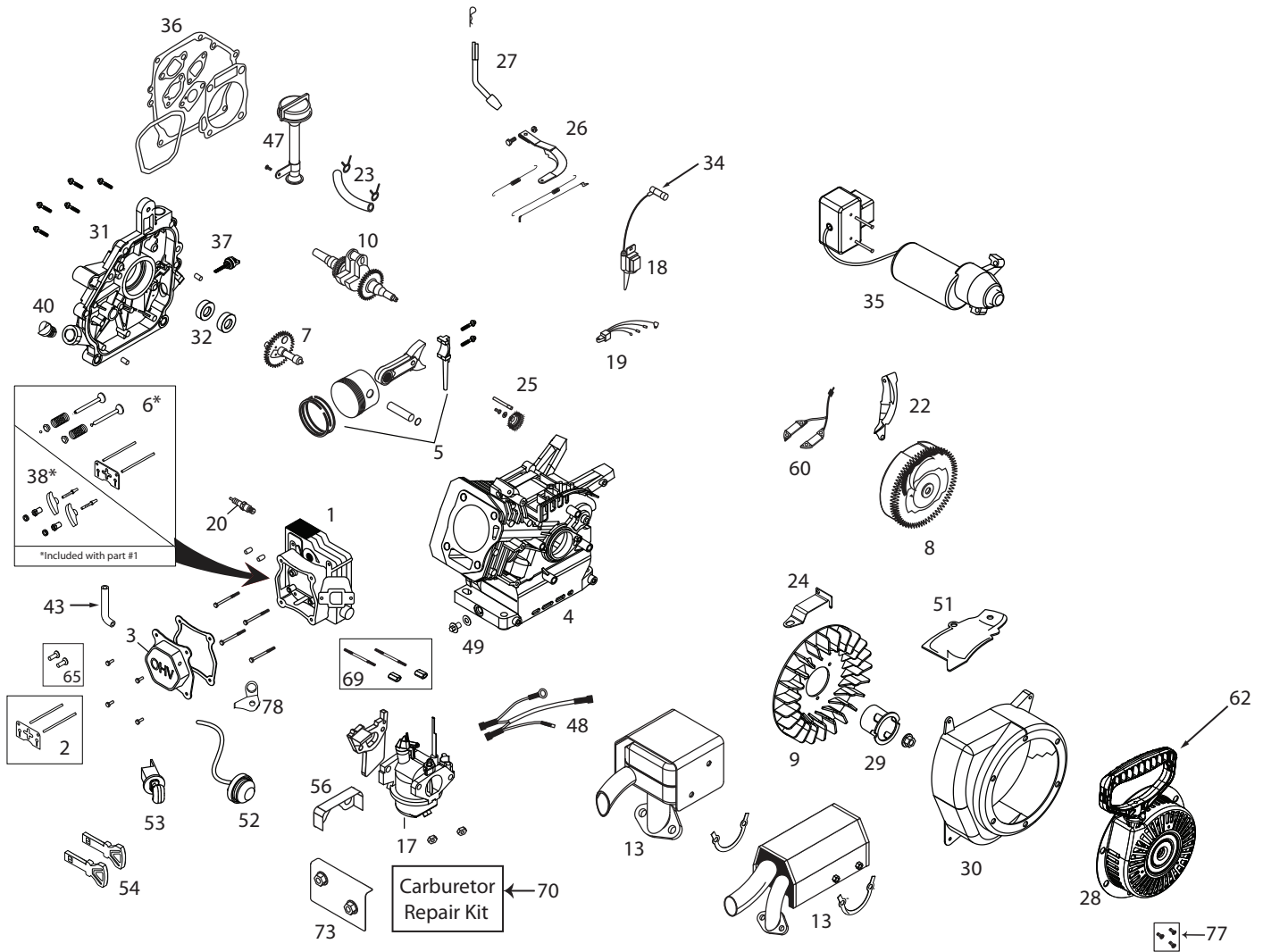


ILLUSTRATION FOR REFERENCE PURPOSES ONLY

NOTE: All component dimensions given in U.S. inches. 1 inch = 25.4 mm
IMPORTANT: Use only Original Equipment Manufacturer (O.E.M.) replacement parts.
 Failure to do so could be hazardous, damage your snow thrower and void your warranty.

REPAIR PARTS SNOW THROWER -- MODEL NUMBER ST 121E (96181000903) ENGINE, LCT COMPLETE ENGINE-580811201

KEY PART NO. NO.	DESCRIPTION	KEY PART NO. NO.	DESCRIPTION		
1	532 42 05-78	Cylinder Head Assembly	32	532 42 95-99	Oil Seal Kit (2 Pcs)
2	532 42 05-79	Push Rod Kit (208cc)(incl. valve cover gskt)	34	532 43 69-66	Spark Plug Boot-Snow
3	532 42 05-80	Valve Cover Assembly	35	532 43 71-25	Eu 230V Elec.Starter Assy(Single Stage)
4	532 43 65-67	Cylinder Assy Kit-Gen li Snow	36	532 42 96-01	Gasket Kit
5	532 42 05-82	Piston Assembly	37	532 42 09-61	Small Black Dipstick
6	532 42 05-83	Connecting Rod Assembly	38	532 42 96-91	Rocker Arm Assembly
7	532 42 05-84	Camshaft System Assembly	40	532 42 95-98	Non-Removable Plug
8	532 42 92-35	Flywheel Assembly-Snow (Electric)	43	580 35 34-01	Breather Tube (136/208cc)
9	532 42 05-86	Cooling Fan- Flywheel	47	581 00 72-01	High Oil-Fill Tube (Press-In Type) Serial numbers greater than (1265H0519257)
10	532 44 66-42	Crankshaft (#18 Snow)(208cc)	47	532 44 40-91	Oil Fill Tube (Round) Serial numbers smaller than (1265H0519257)
13	532 44 42-77	Muffler Assy (208cc Ss Snow) (Ppp)	48	580 94 14-01	Wire Harness (208cc-SS Snow) (2-wire connector)
17	532 43 71-22	Carburetor Assy (Single Stage)-Snow	49	532 43 54-95	Oil Drain Plug Kit
18	580 94 13-01	Ignition Coil (1-pc ignition with 2-wire Plug Connector)	51	532 43 71-19	Cylinder Shield
20	532 42 49-39	Spark Plug	52	532 43 71-23	Fuel Primer Bulb W/Hose Kit (Single Stage)Snow
22	532 42 49-75	Shield-Electric Starter-Flywheel-Snow	53	532 42 49-54	Key Switch Assembly-Snow
23	532 43 80-14	Fuel Hose Kit (Single Stage)	54	532 44 39-35	Snow Keyset(2) (Grey) (Hop Logo)
24	532 42 92-59	Speed Control Bracket-Snow	56	532 42 92-60	Vapor Shield-Snow
25	532 42 96-46	Governor Gear Assembly	60	532 44 40-90	Charging Coil (18-watt DC)
26	532 42 06-01	Governor Link Assembly(Summer)	62	532 44 38-99	Recoil Handle (Deluxe)
27	532 42 06-02	Governor Arm Shaft Assembly	65	581 37 28-01	Tappet Kit (208cc)(Set of 2)
28	532 43 69-67	Recoil Starter Assy(Round-Black) Snow	69	532 42 49-51	Carburetor Studs & Coupling Kit-Snow
29	532 43 69-68	Starter Cup (Non-Slotted)-Snow	70	580 35 36-01	Carburetor Repair Kit (136/208/254cc)
30	580 96 05-01	Blower Hsg Assy Electric Start (Black w/weldnug)	73	532 44 42-75	Intake Shield (208cc Ss Snow)
31	532 42 06-06	Crankcase Cover Assy-High Oil-Fill Tube (Threaded)Serial number smaller than (1265H0519257)	77	532 43 26-88	Recoil Bolt Kit
31	581 00 73-01	Crankcase Cover (Press-In Type High Oil-Fill Tube) Serial number greater than (1265H0519257)	78	581 45 93-01	Breather Tube Bracket

NOTE: All component dimensions given in U.S. inches. 1 inch = 25.4 mm
IMPORTANT: Use only Original Equipment Manufacturer (O.E.M.) replacement parts.
 Failure to do so could be hazardous, damage your snow thrower and void your warranty.

