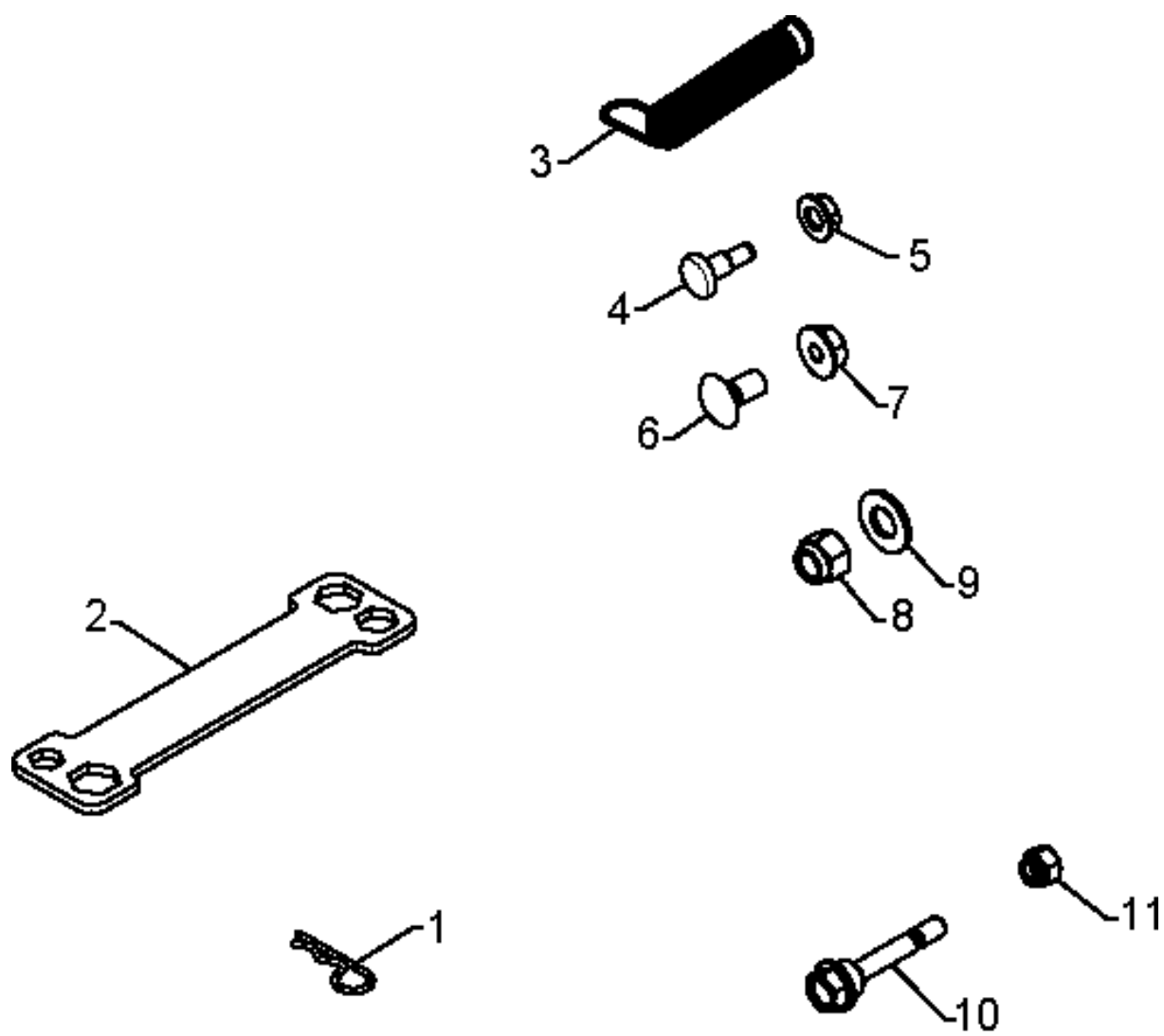




SPARE PARTS LIST

SNOW BLOWERS/THROWERS

ST 261E, 96191003001, 2009-08

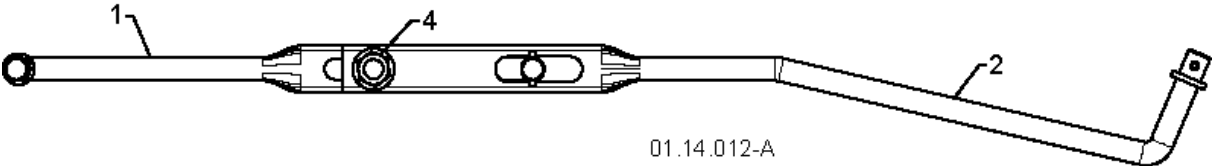
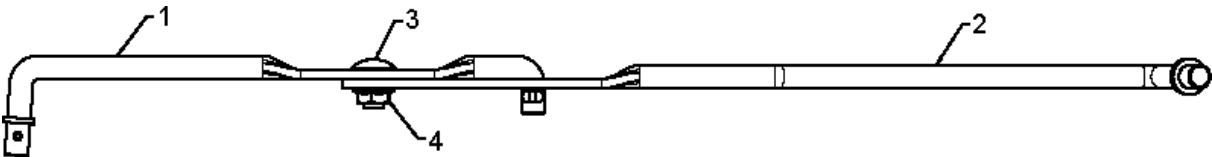


01.14.005-C

ACCESSORIES

ST 261E, 96191003001, 2009-08

Ref	Part No	Description	Remark	QTY KIT
1	532 16 96-75	PIN RETAINING SCREW		1
2	532 42 91-12	WRENCH		1
3	532 18 45-05	SPRING		1
4	532 17 98-29	BOLT		1
5	532 19 17-30	NUT		1
6	872 25 05-05	BOLT		1
7	532 75 11-53	LOCKNUT 5/16-18 RL550HVA		1
8	873 80 06-00	NUT		1
9	819 13 13-16	WASHER		1
10	532 19 20-90	BOLT		1
11	873 80 04-00	NUT		1



01.14.012-A

ACCESSORIES

ST 261E, 96191003001, 2009-08

Ref	Part No	Description	Remark	QTY KIT
1	532 18 04-45	LEVER		1
2	532 18 77-16	ROD		1
3	872 27 05-05	BOLT		1
4	532 15 53-77	NUT		1

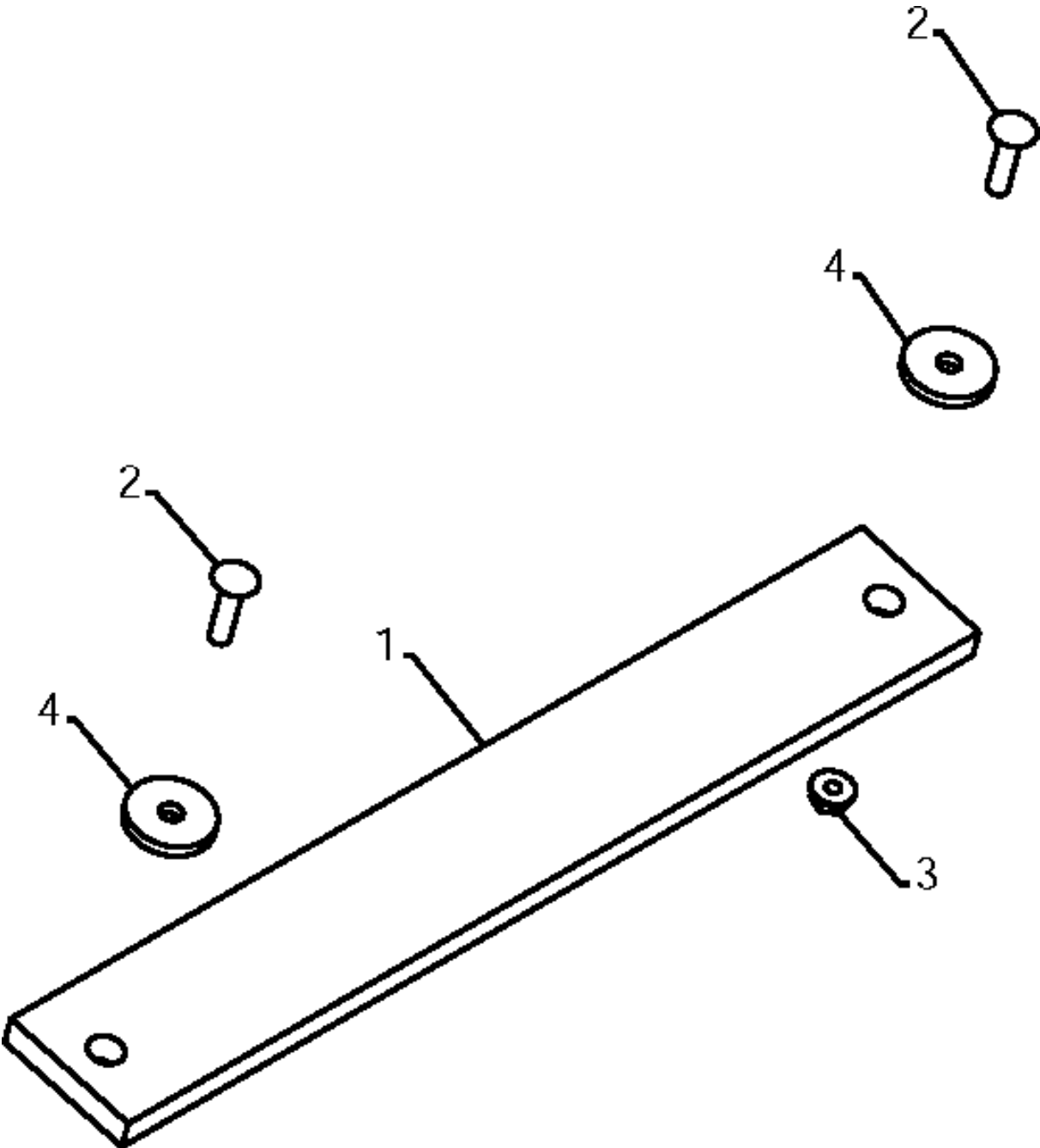


01.14.007-A

ACCESSORIES

ST 261E, 96191003001, 2009-08

Ref	Part No	Description	Remark	QTY KIT
1	532 19 30-71	KEY		1



01.17.001-B



AUGER HOUSING & IMPELLER

ST 261E, 96191003001, 2009-08

Ref	Part No	Description	Remark	QTY KIT
1	532 18 25-13	BAR		1
2	872 11 05-10	BOLT		1
3	532 75 11-53	LOCKNUT 5/16-18 RL550HVA		1
4	819 11 22-06	WASHER		1

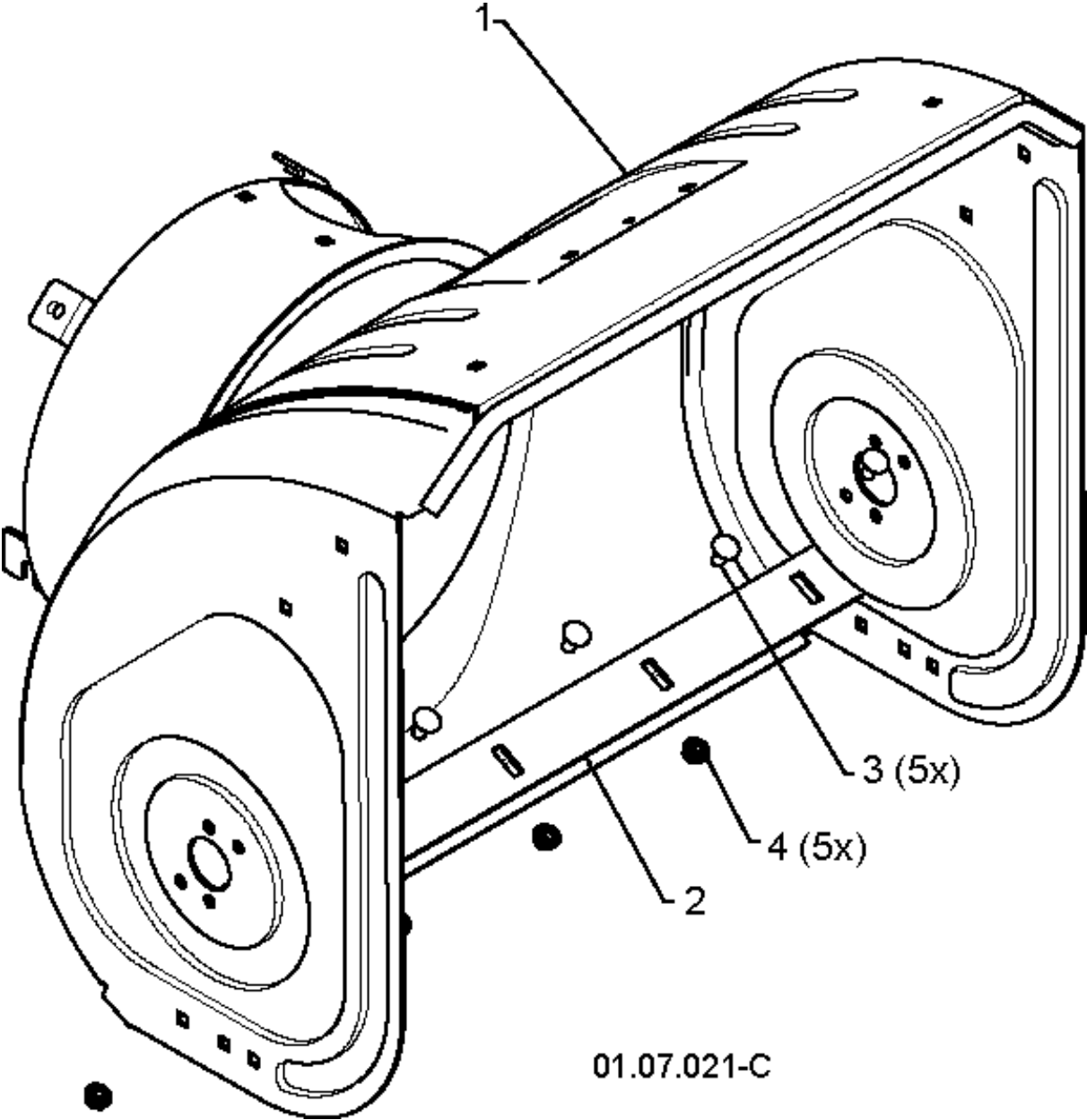


01.07.014-A

AUGER HOUSING & IMPELLER

ST 261E, 96191003001, 2009-08

Ref	Part No	Description	Remark	QTY KIT
1	532 42 21-03	AUGER		1
2	532 42 21-04	AUGER		1

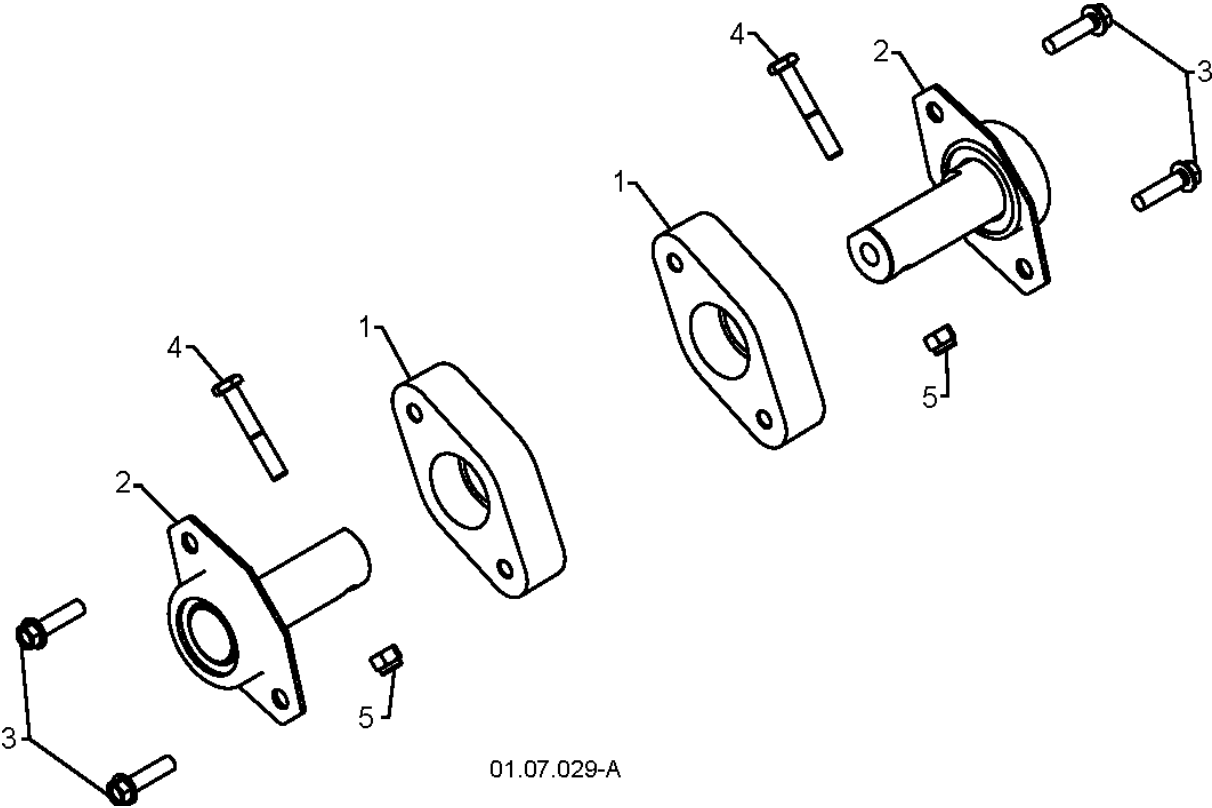


01.07.021-C

AUGER HOUSING & IMPELLER

ST 261E, 96191003001, 2009-08

Ref	Part No	Description	Remark	QTY KIT
1	532 42 93-45	HOUSING		1
2	532 41 62-15	BAR		1
3	872 27 05-05	BOLT		1
4	532 15 53-77	NUT		1



01.07.029-A

AUGER HOUSING & IMPELLER

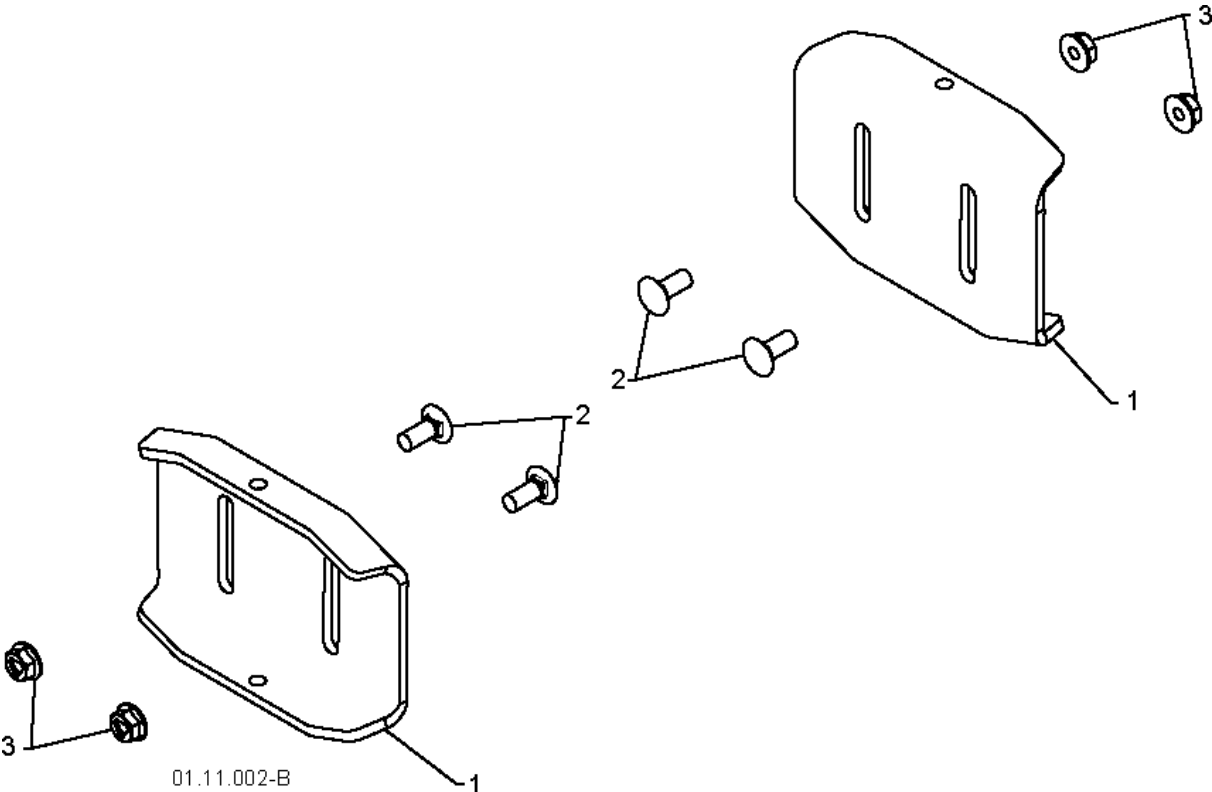
ST 261E, 96191003001, 2009-08

Ref	Part No	Description	Remark	QTY KIT
1	532 43 27-65	RETAINER		1
2	532 42 77-62	BEARING		1
3	532 17 95-82	SCREW		1
4	874 78 04-26	SCREW		1
5	873 80 04-00	NUT		1

AUGER HOUSING & IMPELLER

ST 261E, 96191003001, 2009-08

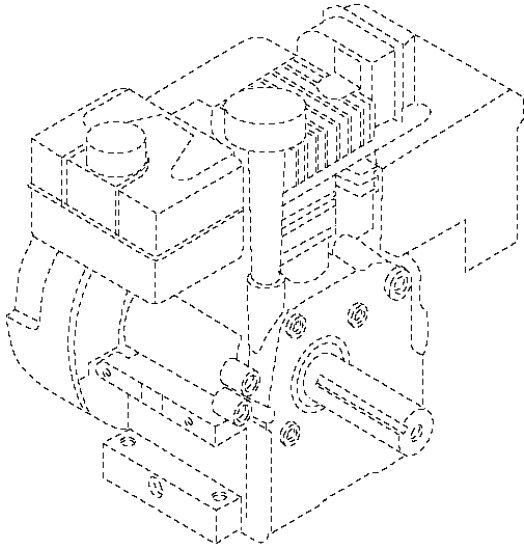
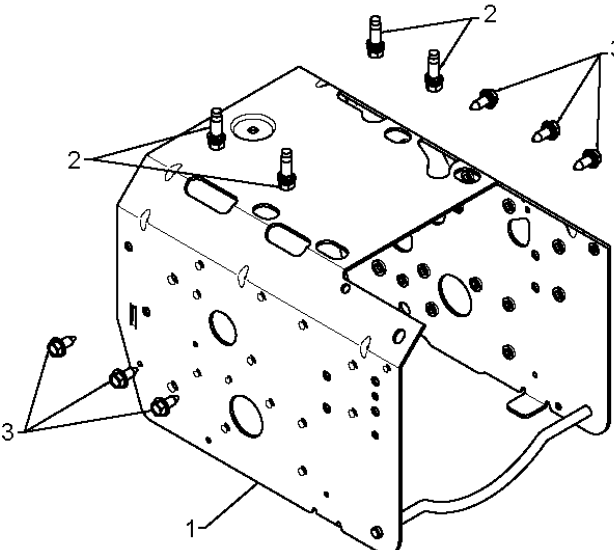
Ref	Part No	Description	Remark	QTY KIT
1	532 43 57-75	IMPELLER		1
2	532 42 71-48	GEARBOX ASSEMBLY		1
3	532 18 89-09	BEARING		1
4	532 42 71-46	PULLEY		1
5	532 17 53-22	DEFLECTOR		1
6	532 18 40-95	PLATE		1
7	532 19 21-99	TOOL.CLEAN.OUT		1
8	532 40 54-00	CLAMP		1
9	873 80 04-00	NUT		1
10	874 78 04-26	SCREW		1
11	532 42 79-42	NUT		1
12	532 16 31-83	BOLT		1
13	532 42 71-45	HUB		1
14	532 42 71-54	SLEEVE		1
15	873 90 06-00	NUT		1
16	532 18 03-55	BOLT		1
17	532 19 41-89	SCREW		1
18	532 40 77-60	PLUG		1
19	532 42 73-02	COVER		1
20	532 42 73-45	GASKET		1
21	532 40 77-70	SEALING		1
22	532 40 77-62	BUSHING		1
23	532 17 46-97	WASHER		1
24	532 40 77-63	GEAR		1
25	532 40 77-64	SHAFT		1
26	532 18 92-82	KEY		1
27	532 40 77-58	BUSHING		1
28	532 17 46-83	WASHER		1
29	532 42 71-47	SHAFT		1
30	532 17 46-81	WASHER		1
31	532 17 46-81	WASHER		1
32	532 17 46-84	BEARING		1
33	532 40 77-69	BUSHING		1
34	532 40 77-68	O-RING		1
35	532 40 77-67	SCREW		1
36	532 42 73-17	COVER		1
37	532 19 20-90	BOLT		1



AUGER HOUSING & IMPELLER

ST 261E, 96191003001, 2009-08

Ref	Part No	Description	Remark	QTY KIT
1	532 43 57-85	PLATE		1
2	872 27 05-06	BOLT		1
3	532 75 11-53	LOCKNUT 5/16-18 RL550HVA		1

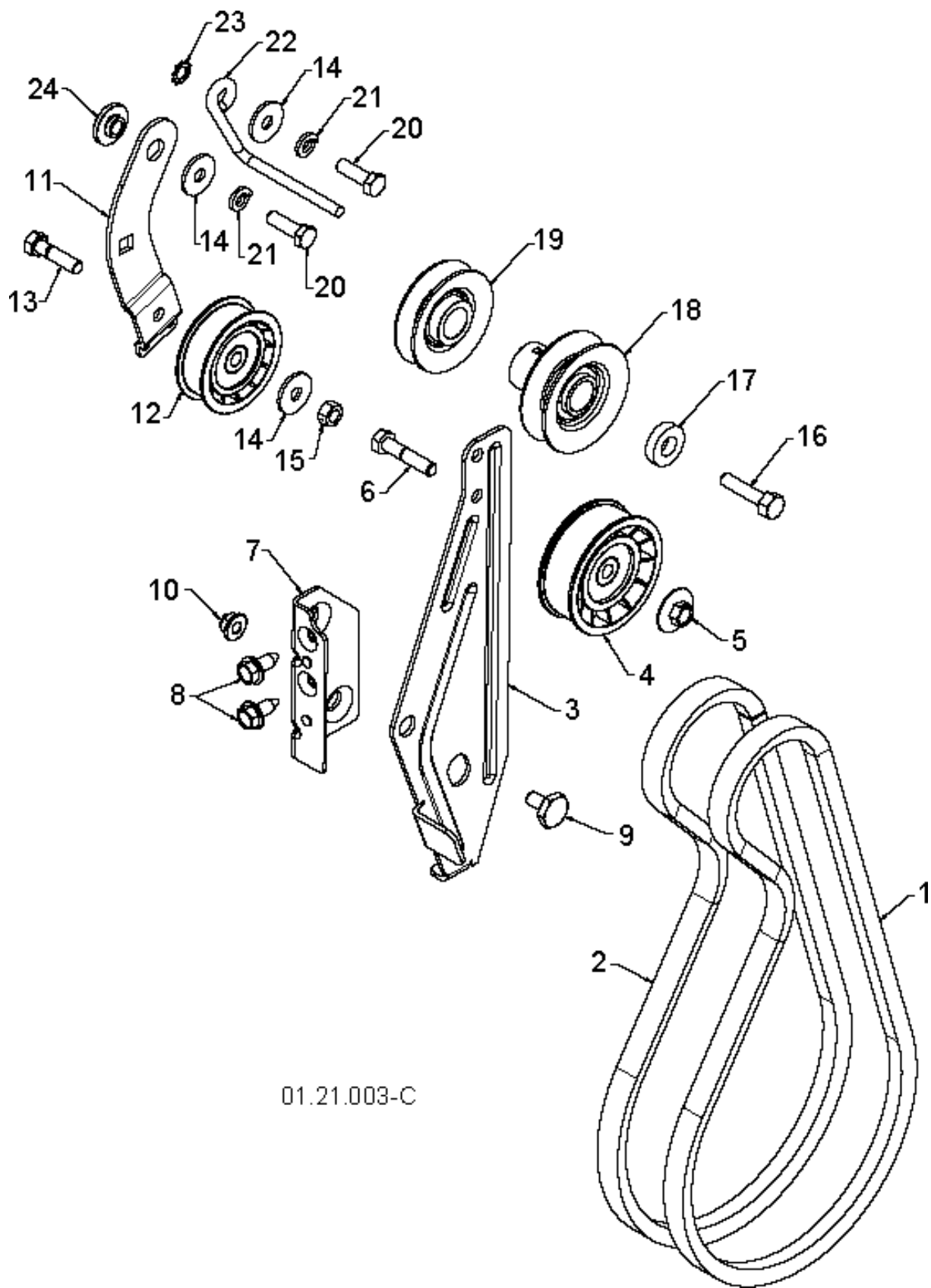


01.00.033-A

CHASSIS, ENGINE & PULLEYS

ST 261E, 96191003001, 2009-08

Ref	Part No	Description	Remark	QTY KIT
--	-----	TBD	B&S ENGINE MODEL 15C114-1468-E8	1
1	532 42 92-03	FRAME		1
2	532 15 04-06	BOLT		1
3	532 42 88-67	BOLT		1

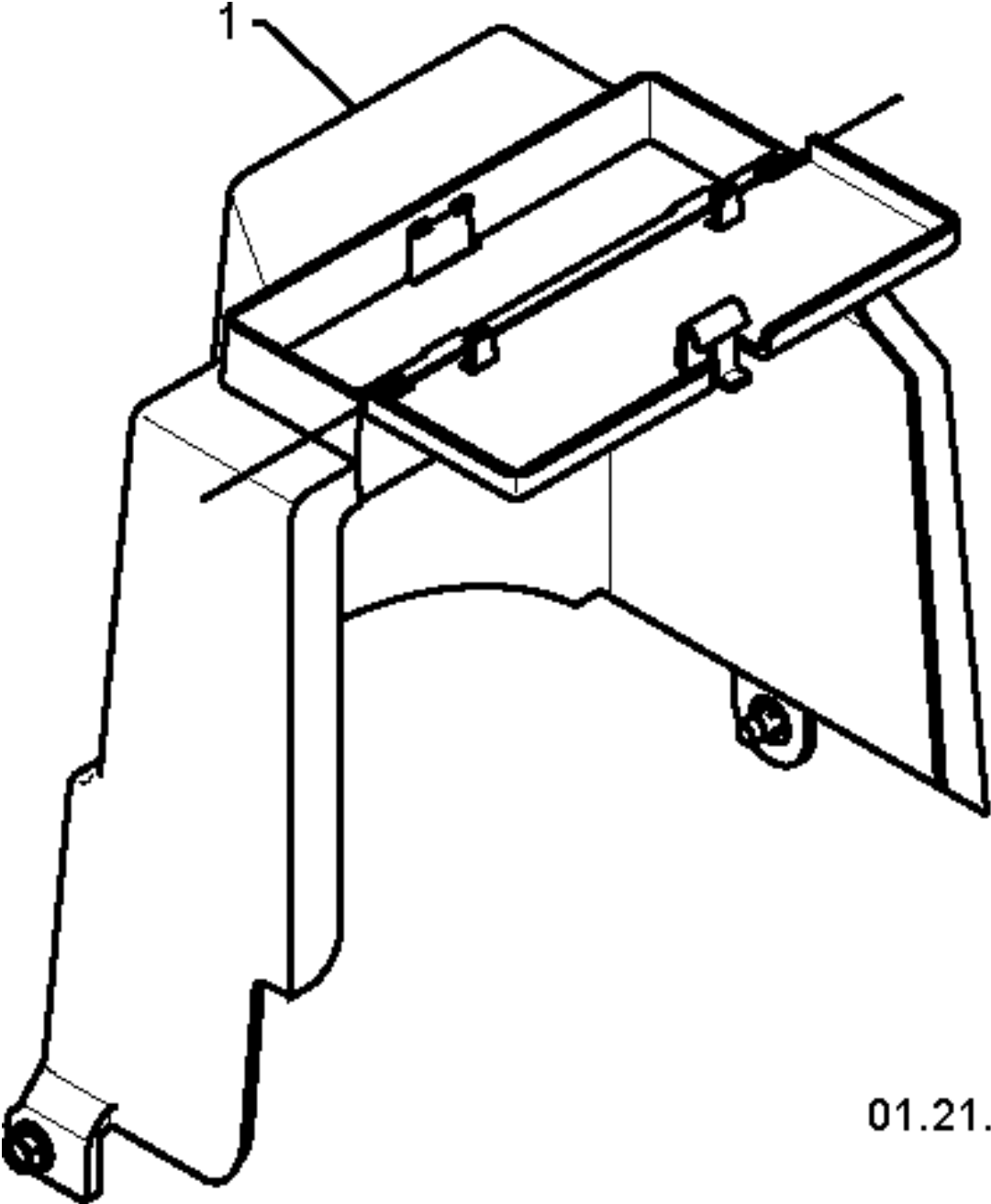


01.21.003-C

CHASSIS, ENGINE & PULLEYS

ST 261E, 96191003001, 2009-08

Ref	Part No	Description	Remark	QTY KIT
1	532 40 80-07	BELT		1
2	532 41 97-44	BELT		1
3	532 43 58-02	ARM		1
4	532 18 05-23	PULLEY		1
5	532 42 65-89	NUT		1
6	874 78 05-24	BOLT		1
7	532 43 58-01	BRACKET		1
8	532 42 88-67	BOLT		1
9	532 42 42-97	BOLT		1
10	532 75 11-53	LOCKNUT 5/16-18 RL550HVA		1
11	532 18 77-86	ARM, IDLER		1
12	532 18 05-22	PULLEY		1
13	874 78 05-20	BOLT		1
14	532 05 92-89	WASHER		1
15	873 80 05-00	LOCK NUT		1
16	532 85 10-84	SCREW		1
17	532 40 00-26	WASHER		1
18	532 42 64-91	PULLEY		1
19	532 42 64-90	PULLEY		1
20	874 61 05-16	SCREW		1
21	810 04 05-00	WASHER		1
22	532 15 54-52	GUIDE, BELT		1
23	811 05 05-00	WASHER		1
24	532 17 53-31	BUSHING		1

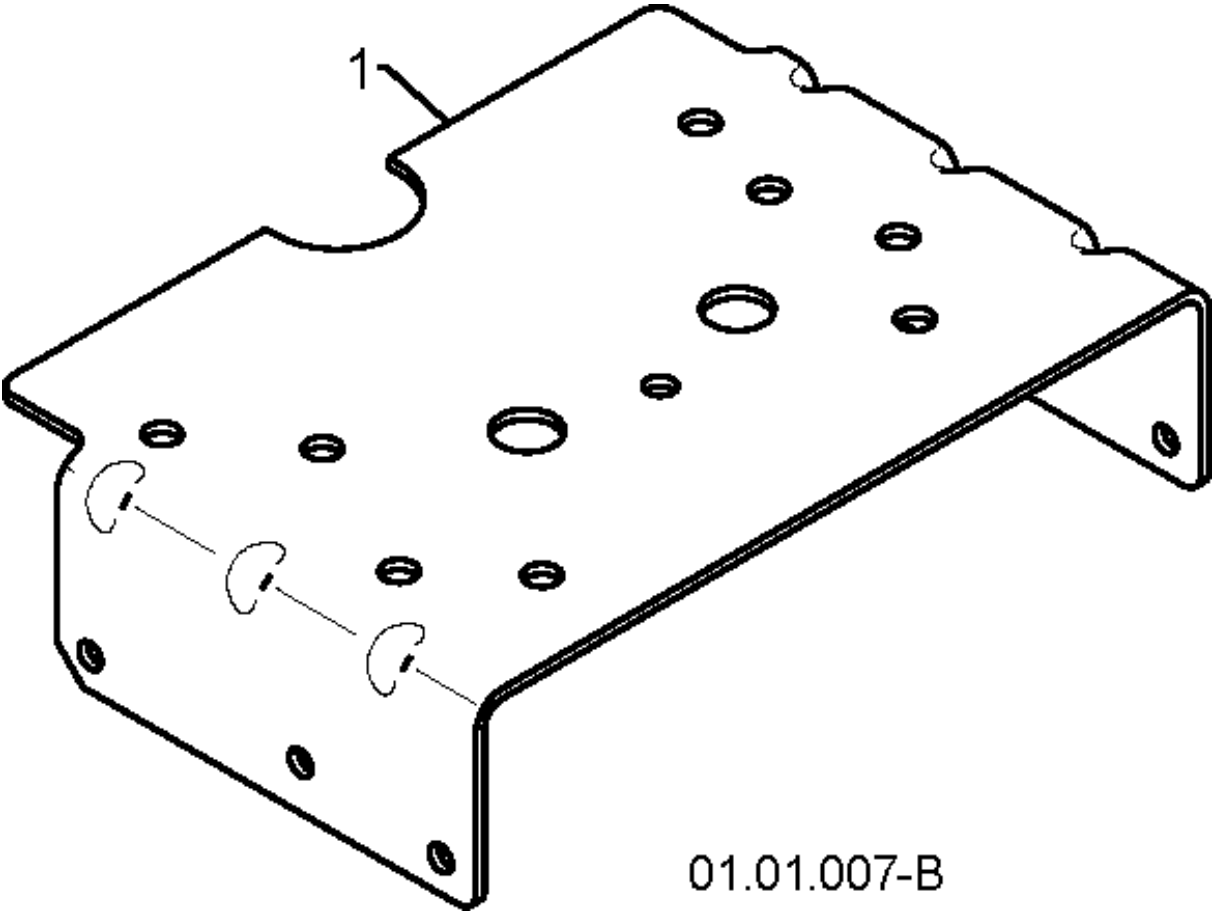


01.21.013-B

CHASSIS, ENGINE & PULLEYS

ST 261E, 96191003001, 2009-08

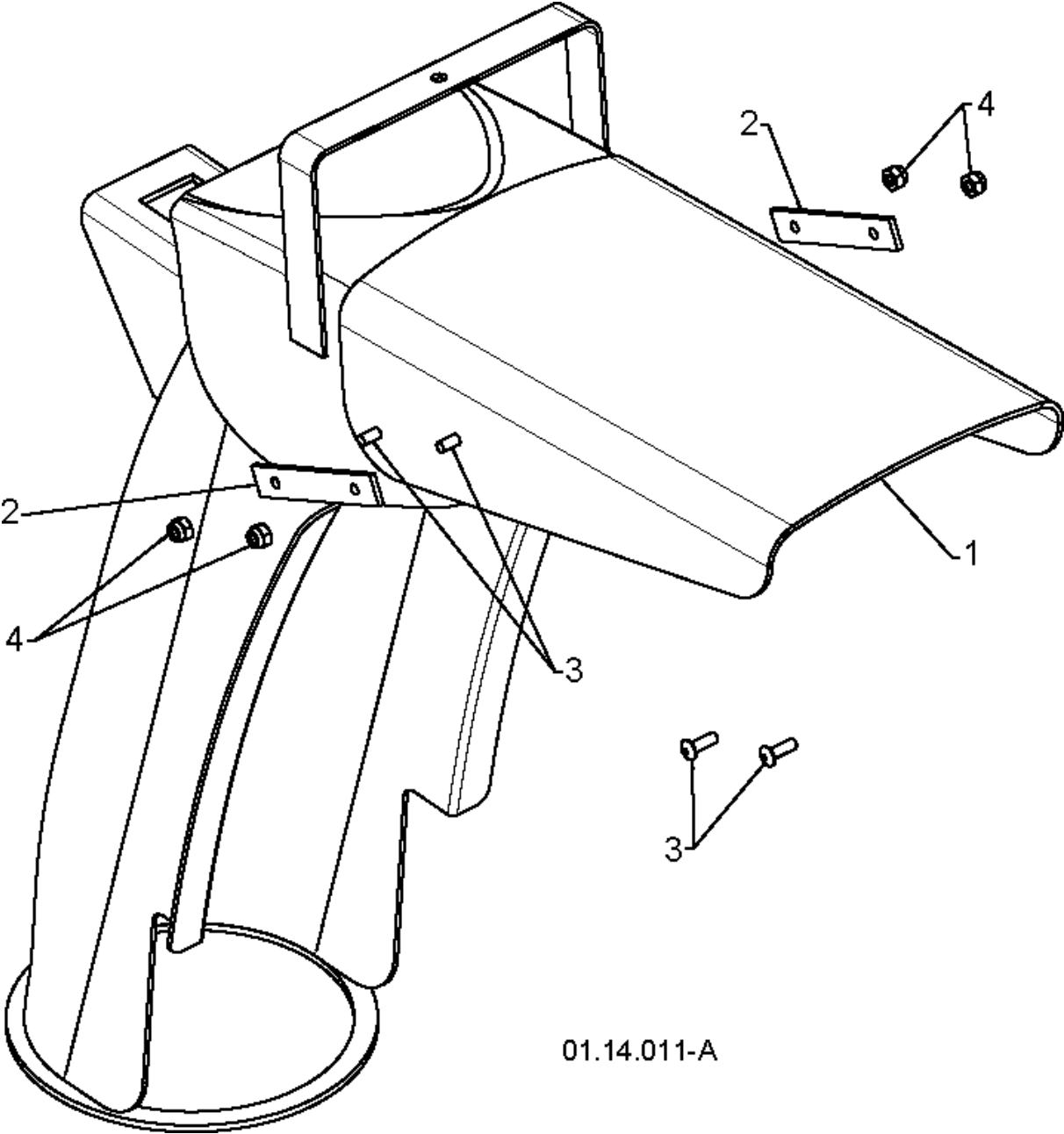
Ref	Part No	Description	Remark	QTY KIT
1	532 42 86-84	COVER		1



CHASSIS, ENGINE & PULLEYS

ST 261E, 96191003001, 2009-08

Ref	Part No	Description	Remark	QTY KIT
1	532 43 63-11	PLATE		1

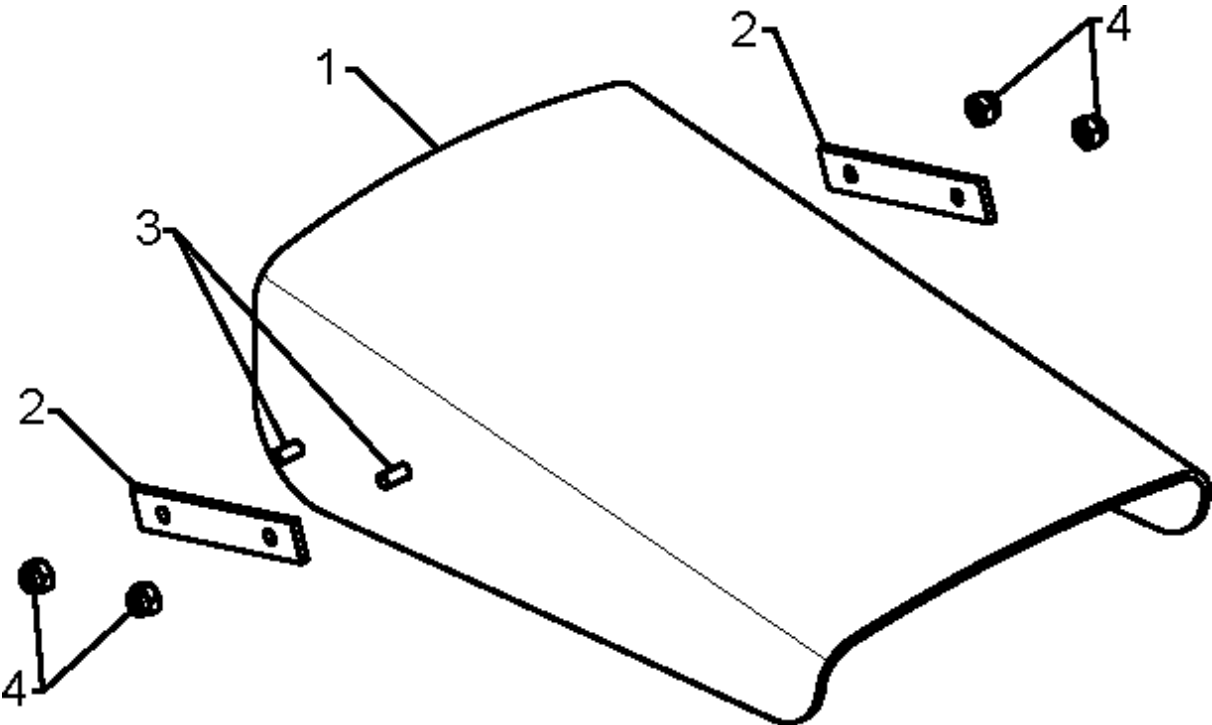


01.14.011-A

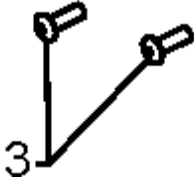
CONTROL PANEL & DISCHARGE CHUTE

ST 261E, 96191003001, 2009-08

Ref	Part No	Description	Remark	QTY KIT
1	532 42 11-38	SHIELD		1
2	532 43 58-31	STRAP		1
3	532 18 22-27	SCREW		1
4	532 18 22-28	NUT		1



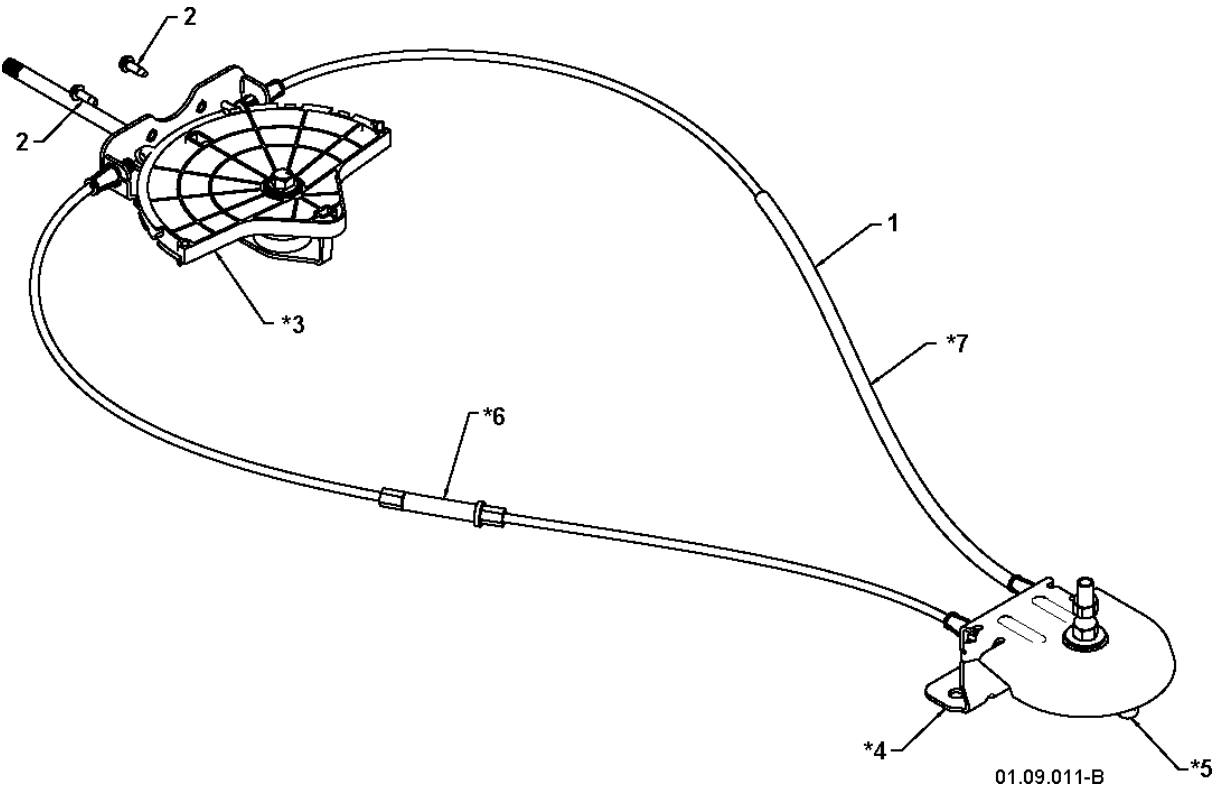
01.09.009-A



CONTROL PANEL & DISCHARGE CHUTE

ST 261E, 96191003001, 2009-08

Ref	Part No	Description	Remark	QTY KIT
1	532 42 11-38	SHIELD		1
2	532 43 58-31	STRAP		1
3	532 18 22-27	SCREW		1
4	532 18 22-28	NUT		1



CONTROL PANEL & DISCHARGE CHUTE

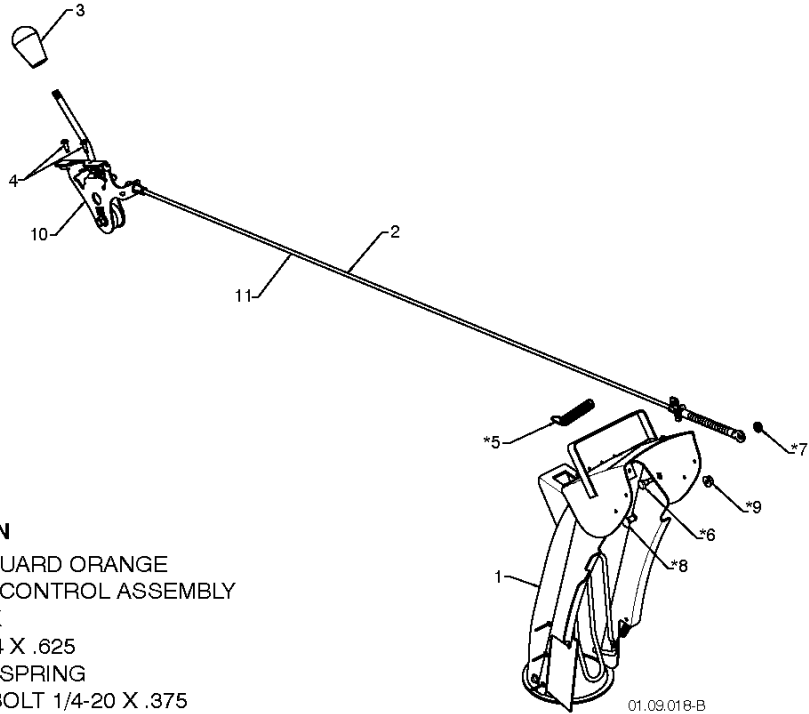
ST 261E, 96191003001, 2009-08

Ref	Part No	Description	Remark	QTY KIT
1	532 42 82-74	CABLE KIT		1
2	817 50 10-10	SCREW		1
*3	532 42 06-78	BRACKET		1
*4	532 42 28-23	BRACKET		1
*5	532 42 06-75	PULLEY		1
*6	532 42 82-75	CABLE CPL.		1
*7	532 42 83-11	CABLE CPL.		1

REPAIR PARTS

CONTROL PANEL / DISCHARGE CHUTE

SNOW THROWER - MODEL NO. ST 261E (96191003001), PRODUCT NO. 961 91 00 30



KEY NO.	PART NO.	DESCRIPTION
1	532 43 69-99	KIT CHUTE GUARD ORANGE
2	532 42 11-63	DEFLECTOR CONTROL ASSEMBLY
3	532 41 42-80	KNOB BLACK
4	817 50 10-10	SCREW 10-24 X .625
*5	532 18 45-05	DEFLECTOR SPRING
*6	532 17 98-29	SHOULDER BOLT 1/4-20 X .375
*7	532 19 17-30	NUT 1/4-20
*8	872 25 05-05	CARRIAGE BOLT 3/8-16 X .625
*9	532 75 11-53	NUT 5/16-18
10	532 42 06-79	(SERVICE PART) DEFLECTOR CONTROL
11	532 42 11-64	(SERVICE PART) DEFLECTOR CABLE GRAY

NOTE:

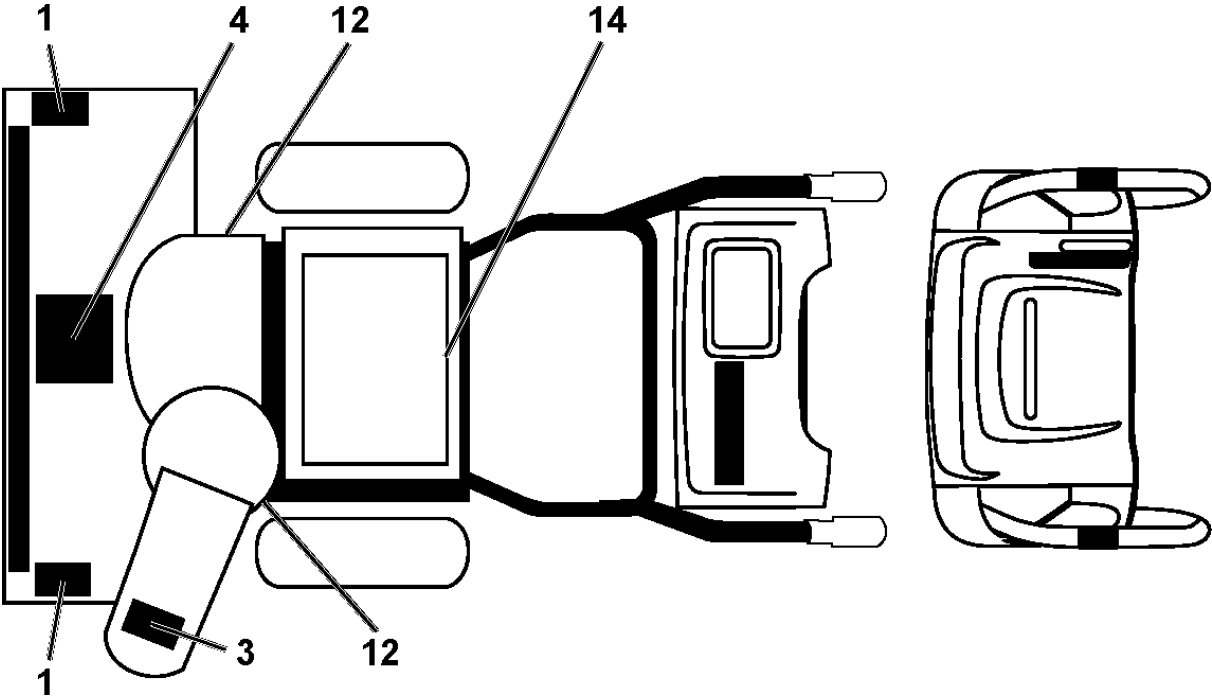
1. ALL ITEMS INDICATED WITH AN * ARE PROVIDED IN THE BAG OF ITEMS SHIPPED LOOSE WITH PRODUCT.
2. ITEMS 15 AND 16 ARE SERVICE PART NUMBERS TO ALLOW PURCHASE OF INDIVIDUAL ITEMS IF NECESSARY.

NOTE: All component dimensions given in U.S. inches. 1 inch = 25.4 mm
IMPORTANT: Use only Original Equipment Manufacturer (O.E.M.) replacement parts. Failure to do so could be hazardous, damage your snow thrower and void your warranty.

CONTROL PANEL & DISCHARGE CHUTE

ST 261E, 96191003001, 2009-08

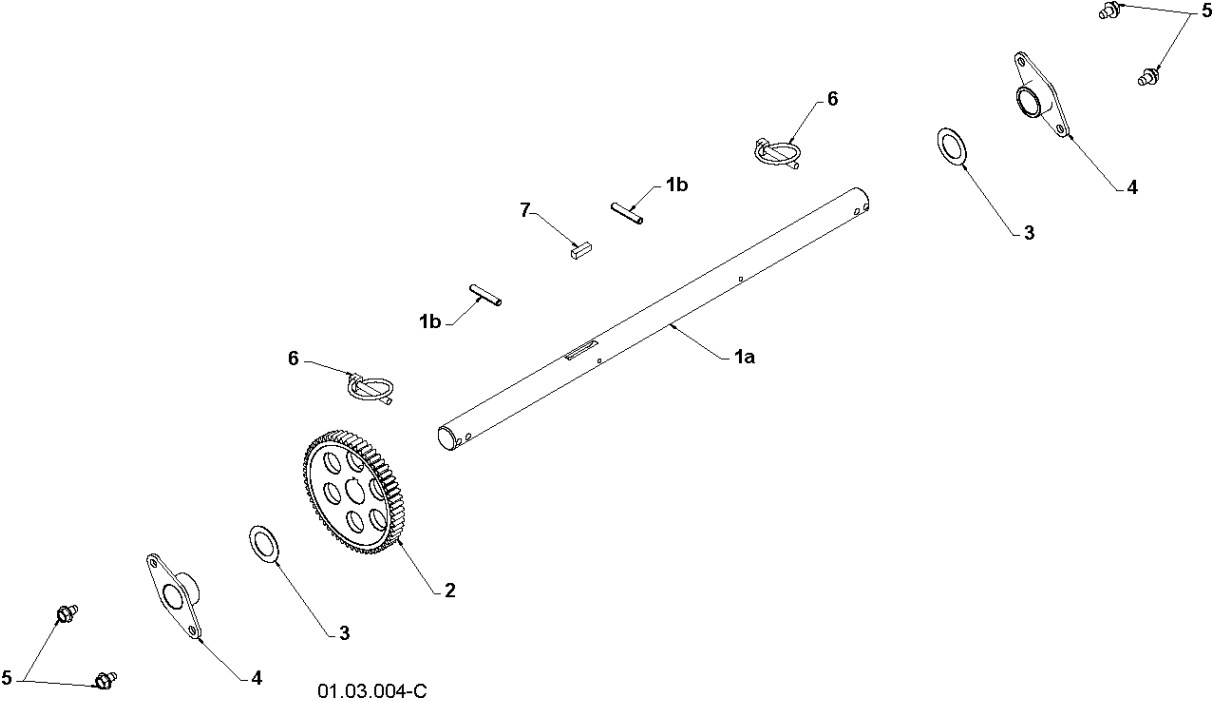
Ref	Part No	Description	Remark	QTY KIT
1	532 43 69-99	GUARD		1
2	532 42 11-63	CONTROL		1
3	532 41 42-80	KNOB		1
4	817 50 10-10	SCREW		1
*5	532 18 45-05	SPRING		1
*6	532 17 98-29	BOLT		1
*7	532 19 17-30	NUT		1
*8	872 25 05-05	BOLT		1
*9	532 75 11-53	LOCKNUT 5/16-18 RL550HVA		1
10	532 42 06-79	CONTROL UNIT		1
11	532 42 11-64	CABLE		1



DECALS

ST 261E, 96191003001, 2009-08

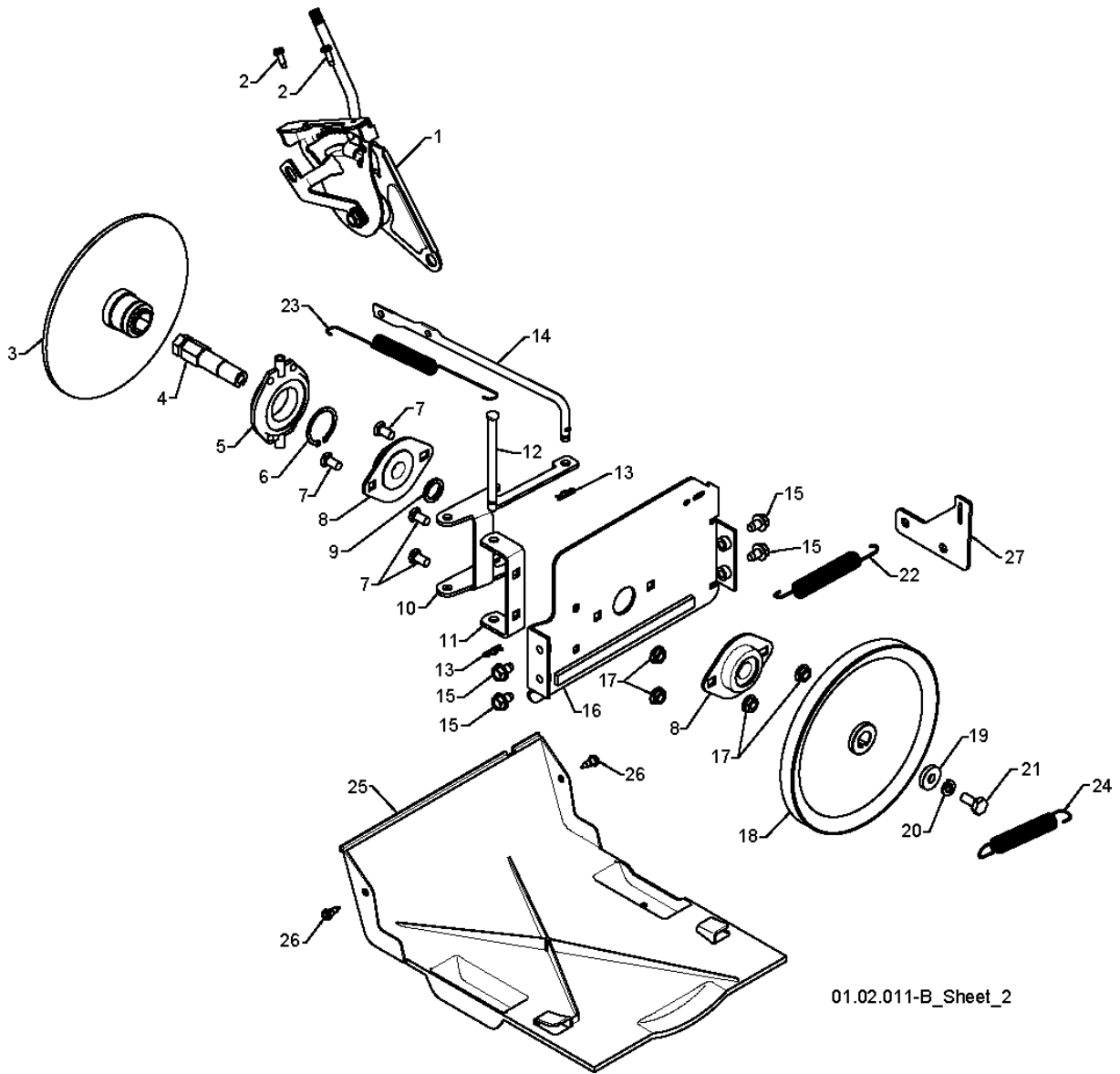
Ref	Part No	Description	Remark	QTY KIT
1	532 19 96-83	LABEL		1
3	532 19 96-82	LABEL		1
4	532 18 40-45	DECAL		1
12	532 18 40-28	DECAL		1
14	532 18 04-33	DECAL		1
--	532 42 93-55	MANUAL		1
--	532 42 93-56	MANUAL		1
--	532 42 93-57	MANUAL		1
--	532 42 93-51	MANUAL		1



DRIVE

ST 261E, 96191003001, 2009-08

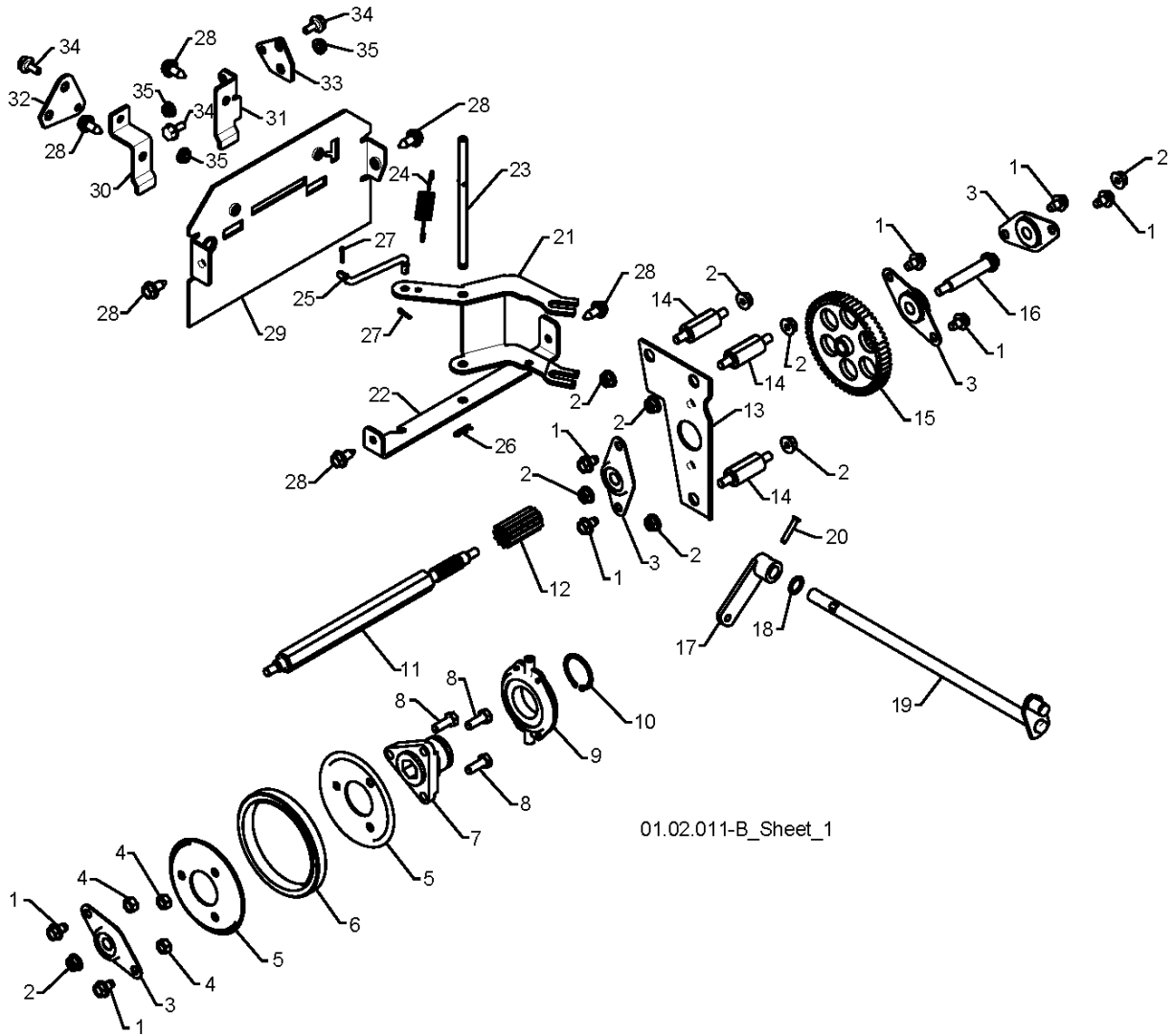
Ref	Part No	Description	Remark	QTY KIT
1	532 18 82-26	AXLE		1
1a	532 17 93-52	SHAFT		1
1b	532 18 42-06	PIN		1
2	532 18 00-81	GEAR		1
3	532 17 46-97	WASHER		1
4	532 17 98-30	BEARING		1
5	817 49 05-08	SCREW		1
6	532 15 54-43	PIN		1
7	532 18 92-82	KEY		1



DRIVE

ST 261E, 96191003001, 2009-08

Ref	Part No	Description	Remark	QTY KIT
1	532 19 88-75	LEVER		1
2	817 50 10-10	SCREW		1
3	532 19 77-63	PLATE		1
4	532 19 77-64	SHAFT		1
5	532 17 53-44	BEARING		1
6	812 00 00-12	RETAINER RING		1
7	872 27 05-05	BOLT		1
8	532 18 89-09	BEARING		1
9	532 18 25-04	SPACER		1
10	532 43 57-87	LEVER		1
11	532 43 57-84	BRACKET		1
12	532 17 86-95	PIN		1
13	532 08 51-79	CLIP		1
14	532 40 33-00	ROD		1
15	817 49 05-08	SCREW		1
16	532 43 57-83	PLATE		1
17	532 15 53-77	NUT		1
18	532 19 10-80	PULLEY		1
19	819 11 15-07	WASHER		1
20	810 04 05-00	WASHER		1
21	874 95 05-12	SCREW		1
22	532 41 45-57	SPRING		1
23	532 17 90-95	SPRING		1
24	532 17 88-28	SPRING		1
25	532 41 08-77	PLATE		1
26	532 18 44-71	SCREW		1
27	532 43 57-72	SPRING		1

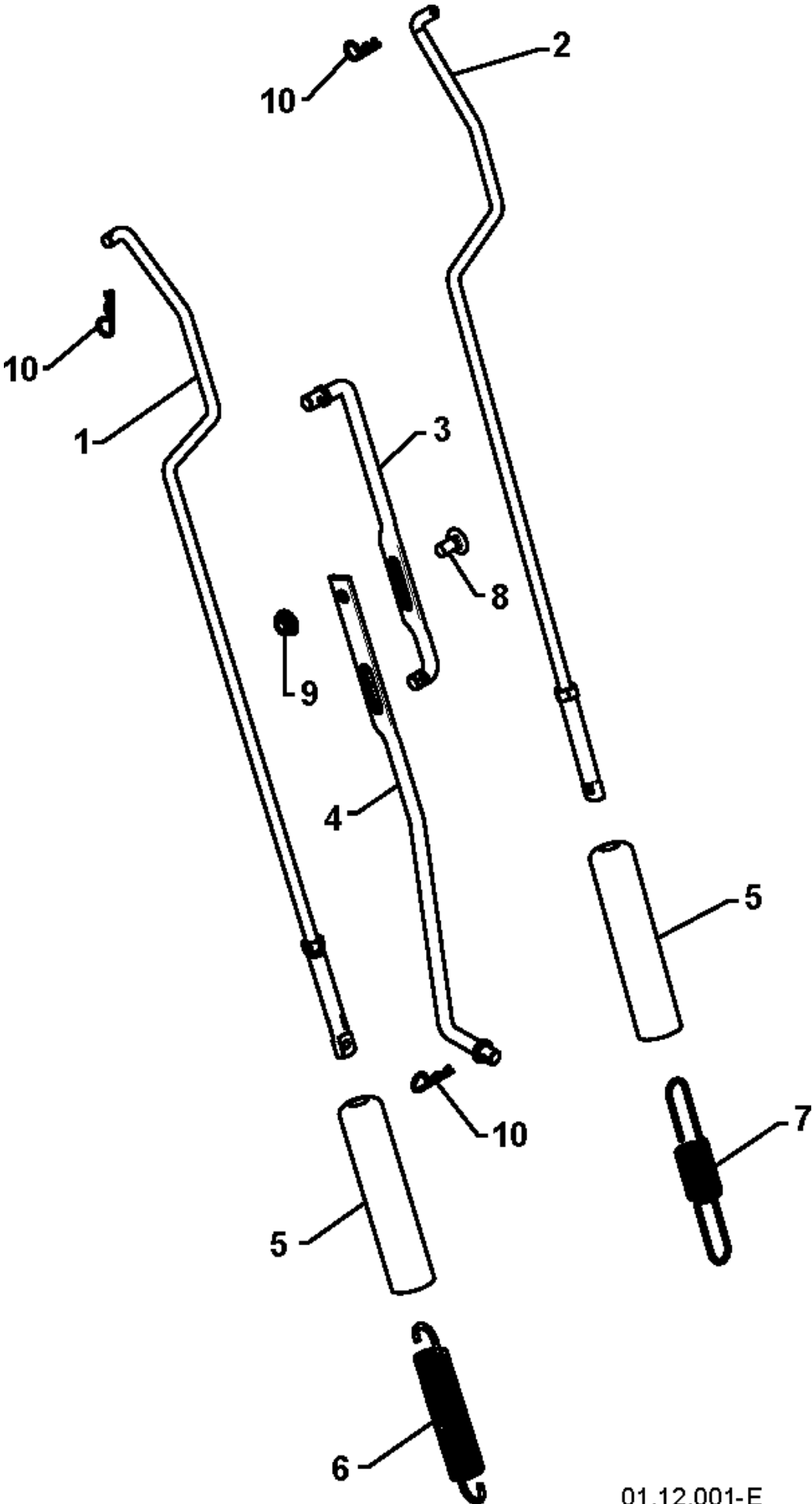


01.02.011-B_Sheet_1

DRIVE

ST 261E, 96191003001, 2009-08

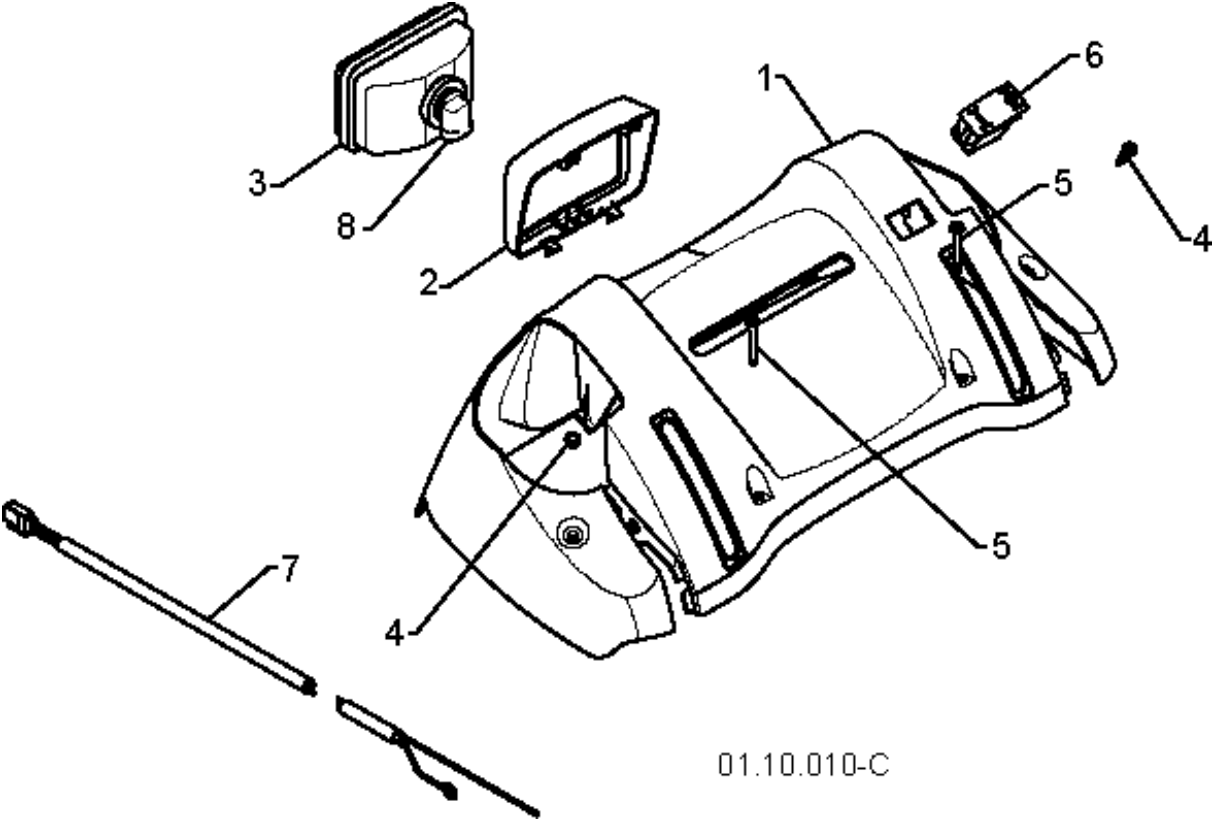
Ref	Part No	Description	Remark	QTY KIT
1	817 49 05-08	SCREW		1
2	532 75 11-53	LOCKNUT 5/16-18 RL550HVA		1
3	532 18 00-17	BEARING		1
4	873 93 05-00	NUT		1
5	532 43 57-89	PLATE		1
6	532 17 98-31	RING		1
7	532 17 86-13	HUB		1
8	874 76 05-14	BOLT		1
9	532 17 53-44	BEARING		1
10	812 00 00-12	RETAINER RING		1
11	532 18 00-66	SHAFT		1
12	532 18 00-65	GEAR		1
13	532 43 57-90	PLATE		1
14	532 17 92-70	SPACER		1
15	532 18 00-82	GEAR		1
16	532 18 01-34	SHAFT		1
17	532 40 54-85	ARM		1
18	532 05 70-79	WASHER		1
19	532 42 75-42	SHAFT		1
20	532 19 85-80	PIN		1
21	532 43 57-92	LEVER		1
22	532 43 57-93	BRACKET		1
23	532 17 88-07	PIN		1
24	532 18 01-35	SPRING		1
25	532 18 71-01	LINK		1
26	532 08 51-79	CLIP		1
27	532 70 02-79	CLIPS		1
28	532 42 88-67	BOLT		1
29	532 41 69-21	PLATE		1
30	532 43 57-97	PLATE		1
31	532 43 57-96	PLATE		1
32	532 43 58-00	PLATE		1
33	532 43 57-99	PLATE		1
34	532 40 28-81	BOLT		1
35	532 19 17-30	NUT		1



HANDLE

ST 261E, 96191003001, 2009-08

Ref	Part No	Description	Remark	QTY KIT
1	532 18 04-80	ROD		1
2	532 40 57-40	ROD		1
3	532 18 04-45	LEVER		1
4	532 18 77-16	ROD		1
5	532 18 04-47	SLEEVE, SPRING		1
6	532 17 86-69	SPRING		1
7	532 18 09-26	SPRING		1
8	872 27 05-05	BOLT		1
9	532 15 53-77	NUT		1
10	532 16 96-75	PIN RETAINING SCREW		1

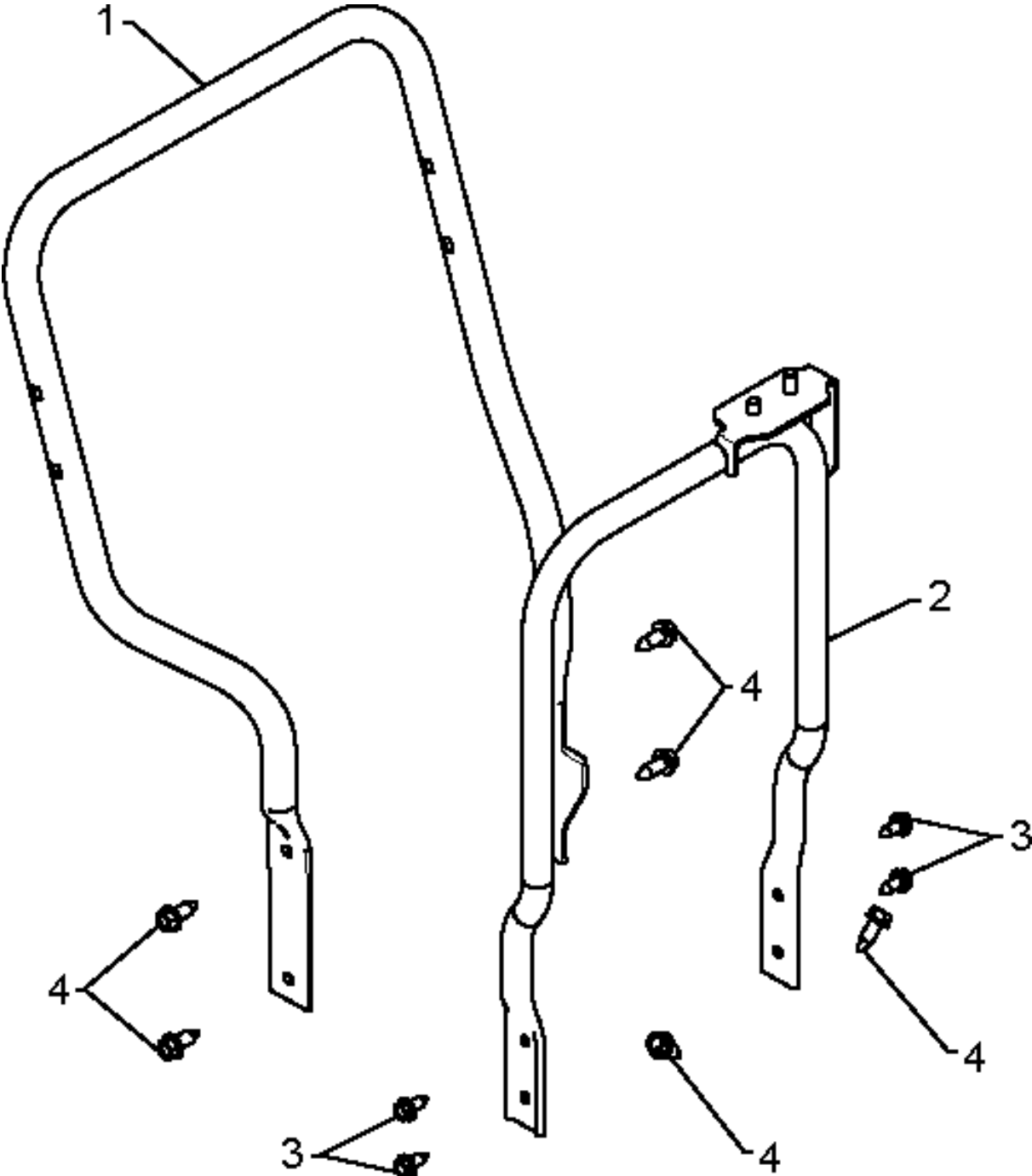


01.10.010-C

HANDLE

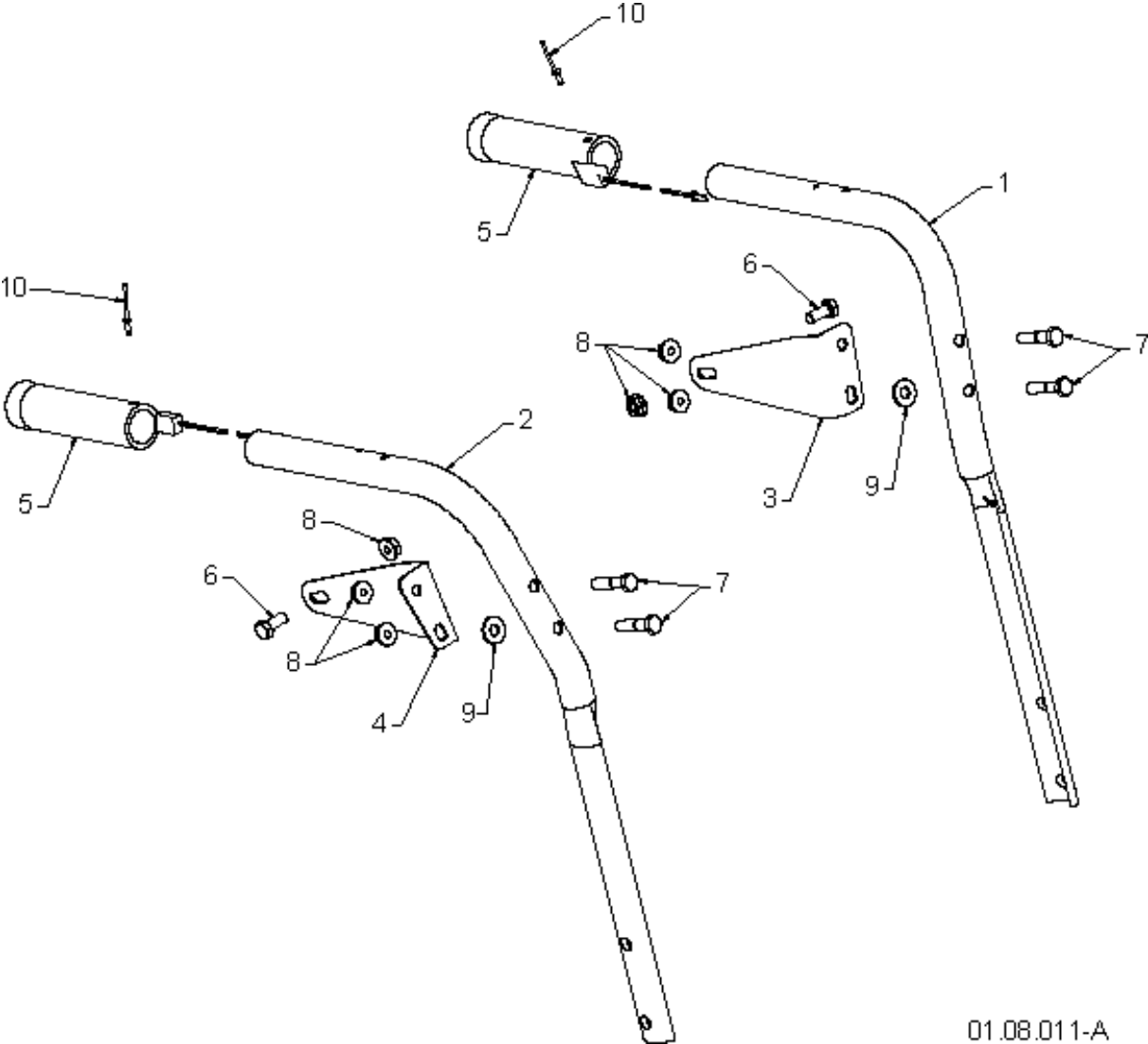
ST 261E, 96191003001, 2009-08

Ref	Part No	Description	Remark	QTY KIT
1	532 42 13-51	CONSOLE		1
2	532 42 14-48	FRAME		1
3	532 17 86-66	HEADLIGHT, HALOGEN		1
4	532 18 44-71	SCREW		1
5	532 17 52-62	PAN HEAD TAPPING SCREW		1
6	532 41 77-60	SWITCH		1
7	532 40 56-99	HARNESS, HEADLIGHT(HALOGEN)		1
8	532 40 16-20	BULB		1



01.05.014-A

Ref	Part No	Description	Remark	QTY KIT
1	532 42 17-05	TUBE		1
2	532 43 58-03	SUPPORT		1
3	532 42 88-67	BOLT		1
4	817 00 06-16	SCREW		1

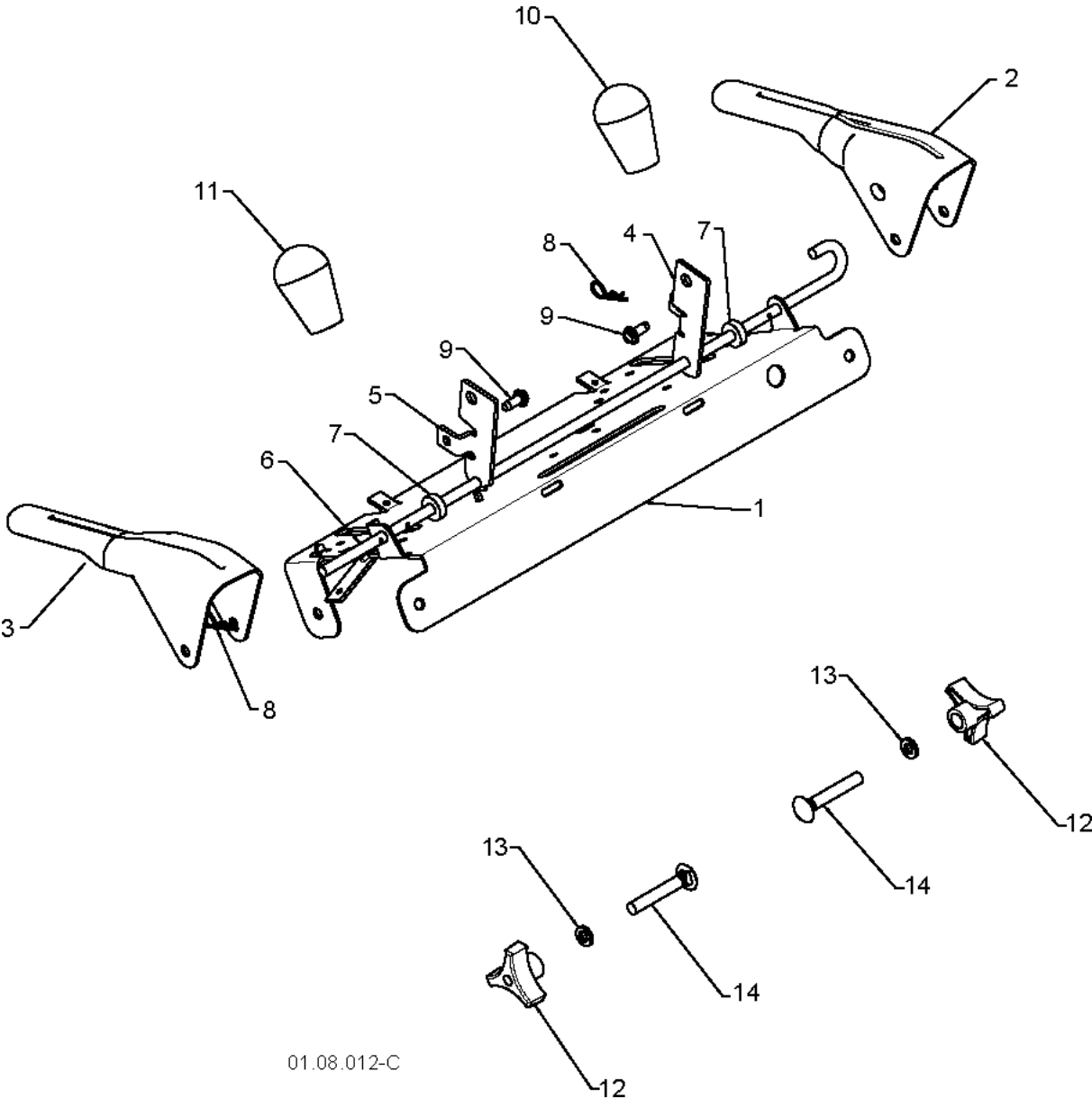


01.08.011-A

HANDLE

ST 261E, 96191003001, 2009-08

Ref	Part No	Description	Remark	QTY KIT
1	532 42 17-08	HANDLE		1
2	532 42 17-09	HANDLE		1
3	532 42 91-48	BRACKET		1
4	532 42 91-49	BRACKET		1
5	532 41 45-15	GRIP		1
6	874 78 05-12	SCREW		1
7	874 78 05-24	BOLT		1
8	532 75 11-53	LOCKNUT 5/16-18 RL550HVA		1
9	532 15 54-15	WASHER		1
10	532 17 87-75	POP RIVET		1

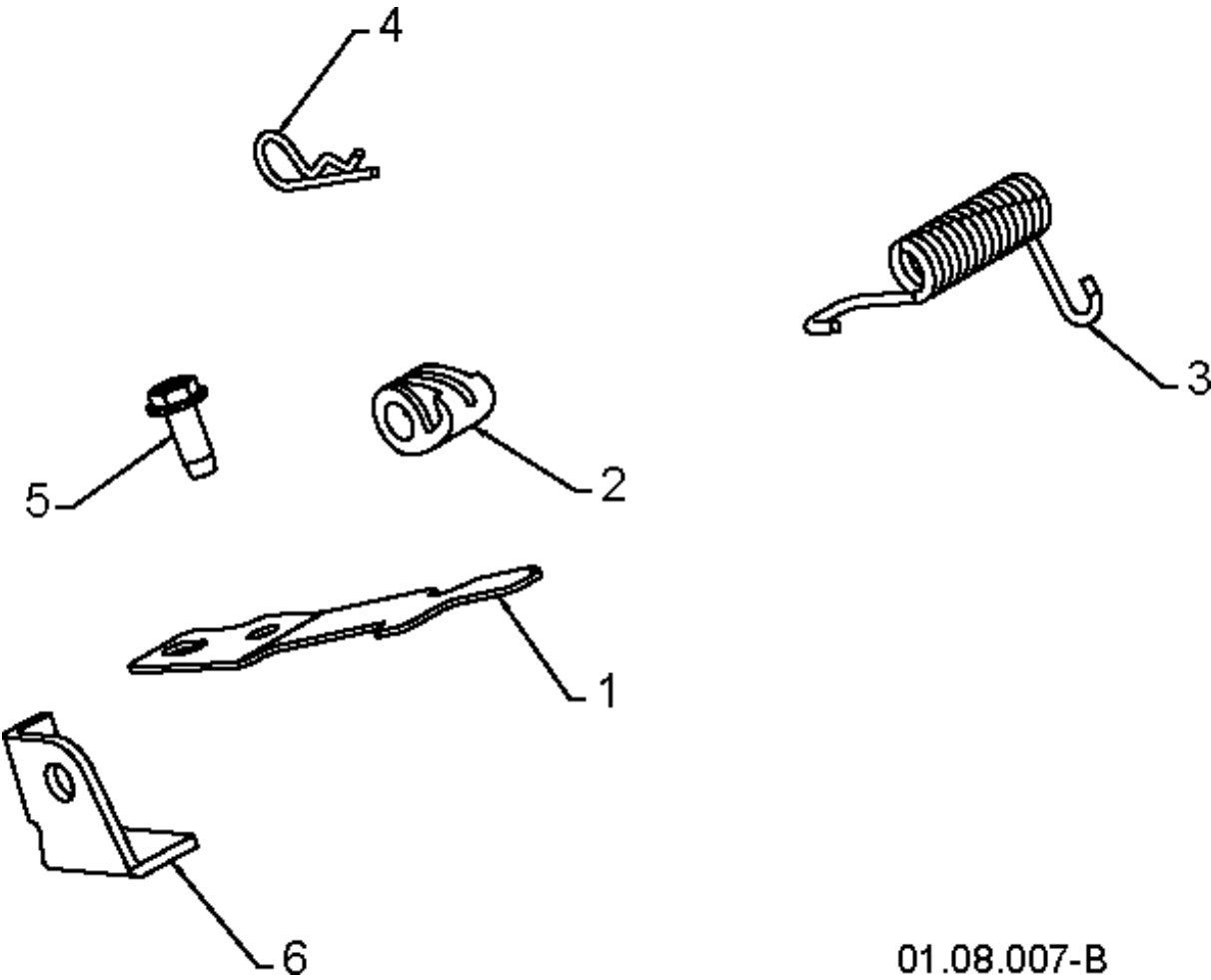


01.08.012-C

HANDLE

ST 261E, 96191003001, 2009-08

Ref	Part No	Description	Remark	QTY KIT
1	532 43 58-04	CONTROL PANEL		1
2	532 42 91-50	LEVER		1
3	532 42 91-51	LEVER		1
4	532 42 90-97	ARM		1
5	532 42 90-98	ARM		1
6	532 41 26-77	ROD		1
7	532 42 16-13	SPACER		1
8	532 16 96-75	PIN RETAINING SCREW		1
9	817 06 04-10	SCREW		1
10	532 41 42-80	KNOB		1
11	532 41 42-81	KNOB		1
12	532 17 88-99	KNOB		1
13	819 13 13-16	WASHER		1
14	872 12 06-18	BOLT		1

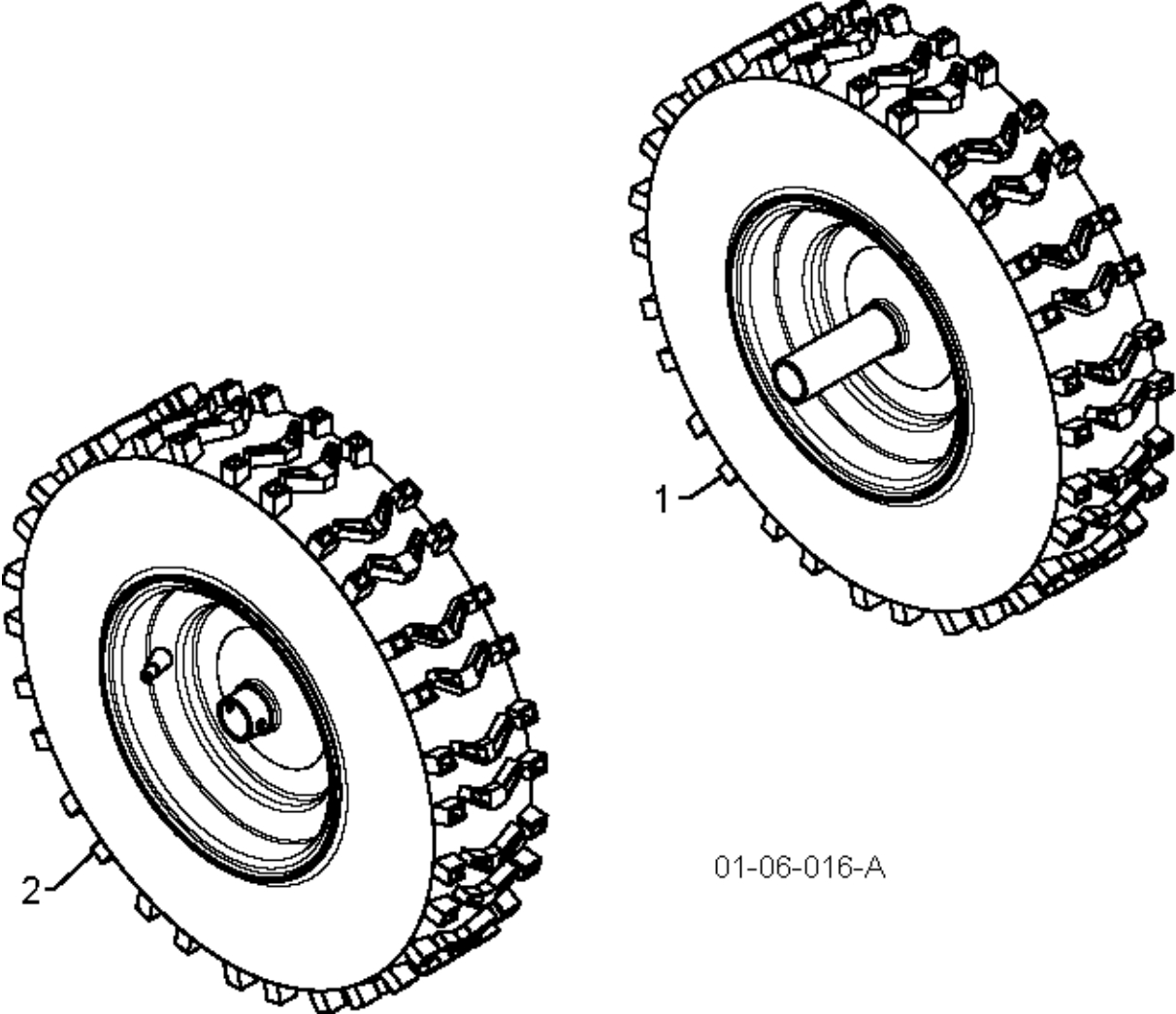


01.08.007-B

HANDLE

ST 261E, 96191003001, 2009-08

Ref	Part No	Description	Remark	QTY KIT
1	532 43 58-06	SPRING		1
2	532 41 45-72	BRACKET		1
3	532 17 88-31	SPRING		1
4	532 16 96-75	PIN RETAINING SCREW		1
5	817 06 04-10	SCREW		1
6	532 43 58-05	LOCKING STOP		1



01-06-016-A

WHEELS & TIRES

ST 261E, 96191003001, 2009-08

Ref	Part No	Description	Remark	QTY KIT
1	532 43 57-86	WHEEL		1
2	532 43 57-88	WHEEL		1