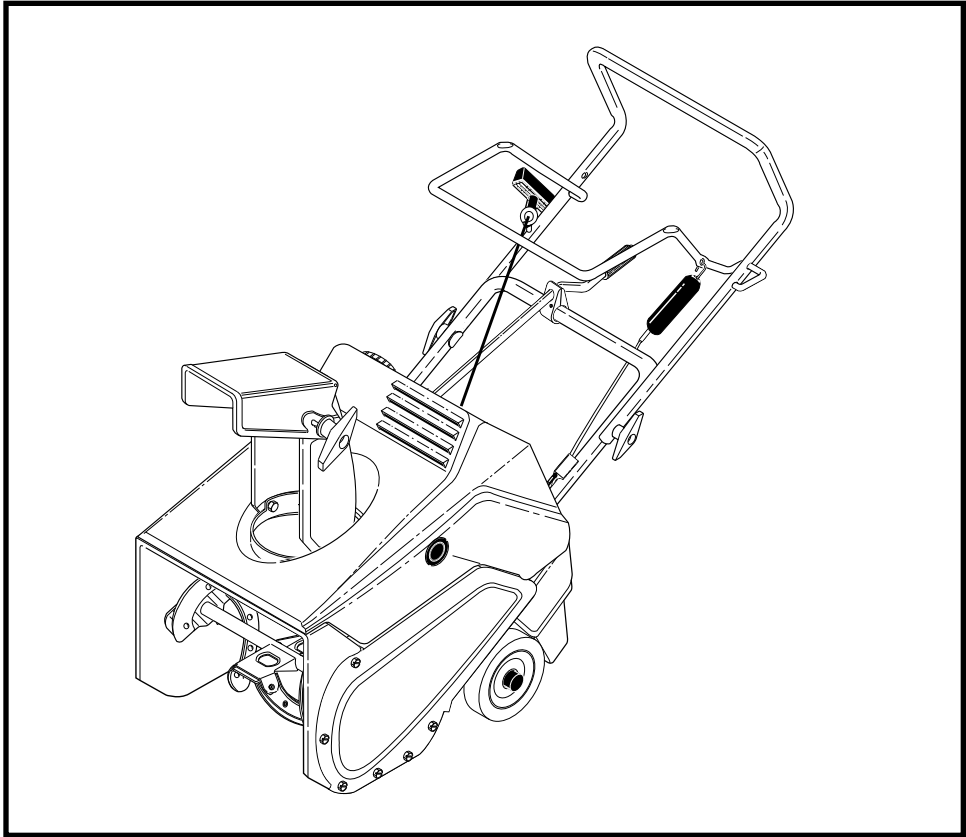


ST521E

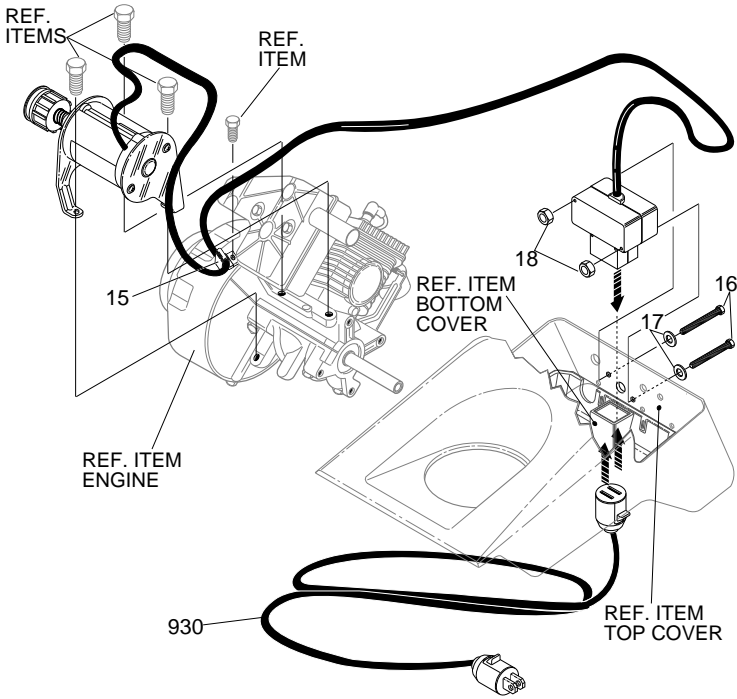


1.1997

Spare Parts

21" SNOW THROWER MODEL ST521E

ELECTRIC START ASSEMBLY



REF NO.	PART NO.	PART NAME
15	601 00 06-31	RETAINER, WIRE
16	601 00 14-18	SCREW, #8-32X3.00
17	601 00 05-33	FLATWASHER .188X.38X.040
18	601 00 14-19	NUT, #8-32 HEXKEPS
930	601 00 14-20	EXTENSION CORD 10FT.
	601 00 20-79	OWNER'S MANUAL ENG/FR

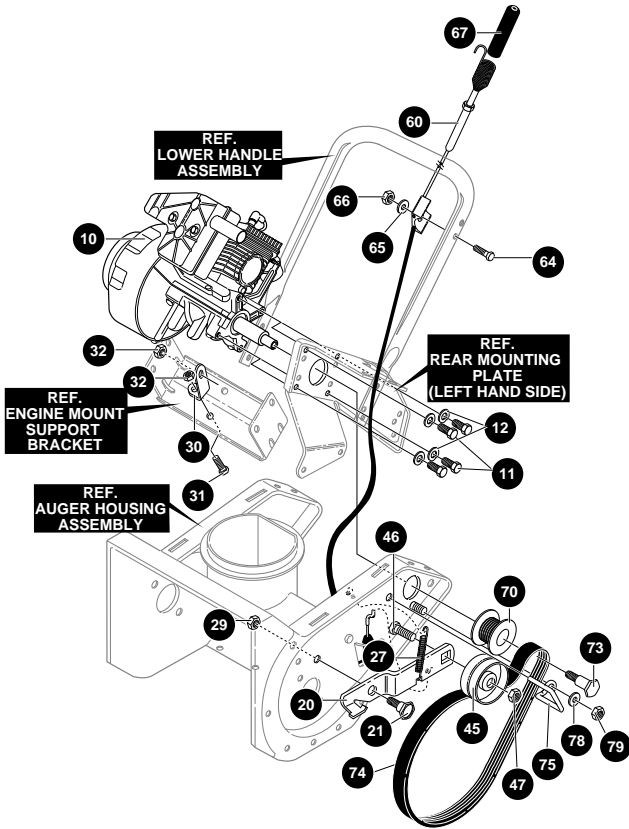
313974A

Note: Always use original equipment parts. Use of service/replacement parts other than original parts may void your warranty.

All unnumbered items are interchangeable with opposite side

21" SNOW THROWER MODEL ST521E

ENGINE ASSEMBLY

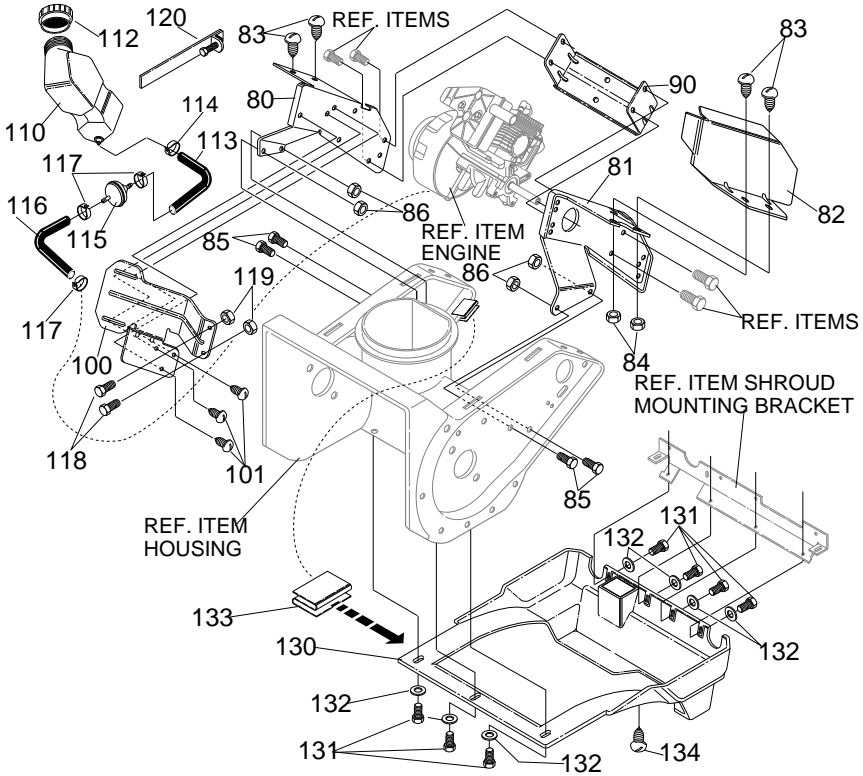


REF NO.	PART NO.	PART NAME
10	ENGINE	5HP (See Engine Manual)
11	601 00 00-73	SCREW, 5/16-18X.75
12	601 00 00-23	WASHER, .328X.60X.09
20	601 00 17-34	BRACKET, IDLER ARM
21	601 00 17-51	SH. BOLT 5/16-18
27	601 00 17-53	SPRING, IDLER BRAKE
29	601 00 00-59	NUT, 5/16-18 RGHXCTRLK
30	601 00 17-54	SUPPORT, ENGINE
31	601 00 16-40	SCREW 5/16-18X.50
32	601 00 00-59	NUT, 5/16-18REGHXCTRLK
45	601 00 17-55	PULLEY, IDLER
46	601 00 17-56	CARR. BOLT, 3/8-16X1.50
47	601 00 13-35	NUT, 3/8-16 CTRLKJAM
60	601 00 17-57	CABLE, DRIVE CONTROL
64	601 00 17-58	SCREW 1/4-20X1.50
65	601 00 00-18	FLATWASHER
66	601 00 15-17	NUT, 1/4-20 RGHXCTRLK
67	601 00 17-59	COVER, CABLE SPRING
70	601 00 17-60	PULLEY, 4.5HP POLY V
73	601 00 20-80	SH. BOLT .625X.282
74	601 00 20-81	BELT, POLY
75	601 00 20-82	GUIDE, BELT
78	601 00 00-20	FLATWASHER
79	601 00 00-59	NUT, 5/16-18REGHXCTRLK

340514 B

21" SNOW THROWER MODEL ST521E

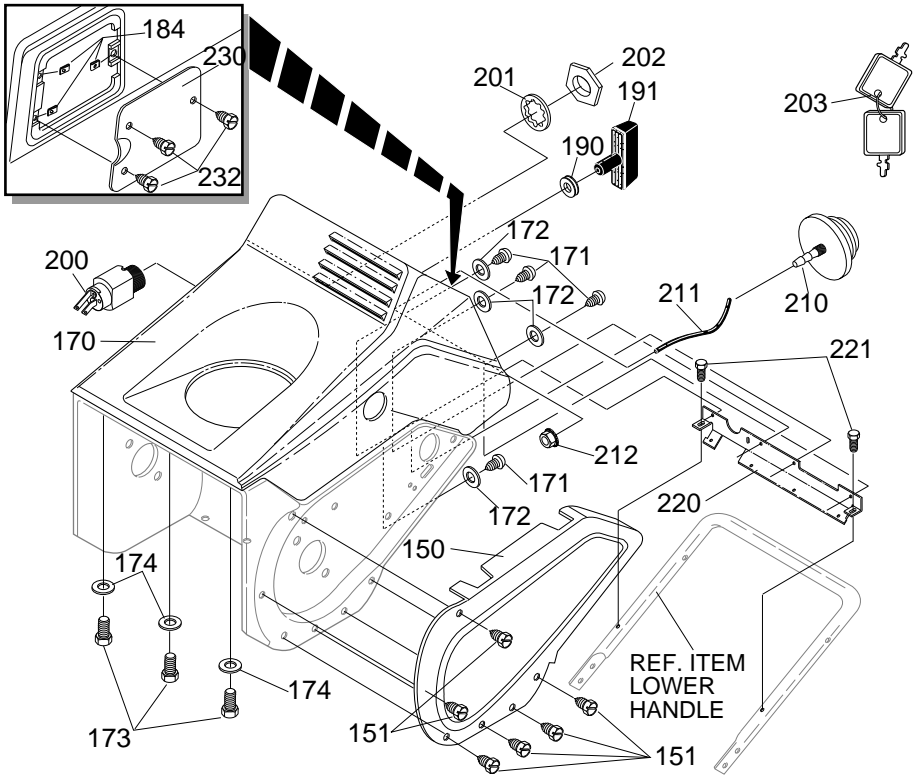
FRAME COMPONENTS ASSEMBLY



REF NO.	PART NO.	PART NAME
80	601 00 17-67	PLATE, REAR MT. RH
81	601 00 17-68	PLATE, REAR MT. LH
82	601 00 17-69	SHIELD, ENGINE HEAT
83	601 00 17-70	SCREW 1/4-20X.63
84	601 00 08-27	NUT, 1/4-20 MACK LOCK
85	601 00 16-40	SCREW 5/16-18X.50
86	601 00 00-59	NUT, 5/16-18 RGHXCTRLK
90	601 00 17-71	SUPPORT, FRAME ENG MT.
100	601 00 17-72	BRACKET, GAS TANK
101	601 00 17-73	SCREW, #10-24X.63
110	601 00 17-74	TANK, FUEL
112	601 00 17-75	CAP, FUEL
113	601 00 17-76	TUBING 8 INCHES
114	601 00 05-54	CLAMP, HOSE SCREW TYPE
115	601 00 17-77	FILTER, IN LINE
116	601 00 17-78	TUBING, 3 INCHES
117	601 00 17-79	CLAMP, HOSE
118	601 00 13-66	SCREW 10-24X.50
119	601 00 13-67	NUT, #10-24 REGHXCTRLK
120	601 00 17-80	CLAMP, WORM
130	601 00 20-84	SHROUD, BOTTOM
131	601 00 17-82	SCREW #10-24X.63 TAP
132	601 00 17-03	FLATWASHER
133	601 00 17-83	CLIP, "S" TINNEMAN
134	601 00 08-83	SCREW, 10-16X.50

21" SNOW THROWER MODEL ST521E

BELT COVER COMPONENTS ASSEMBLY

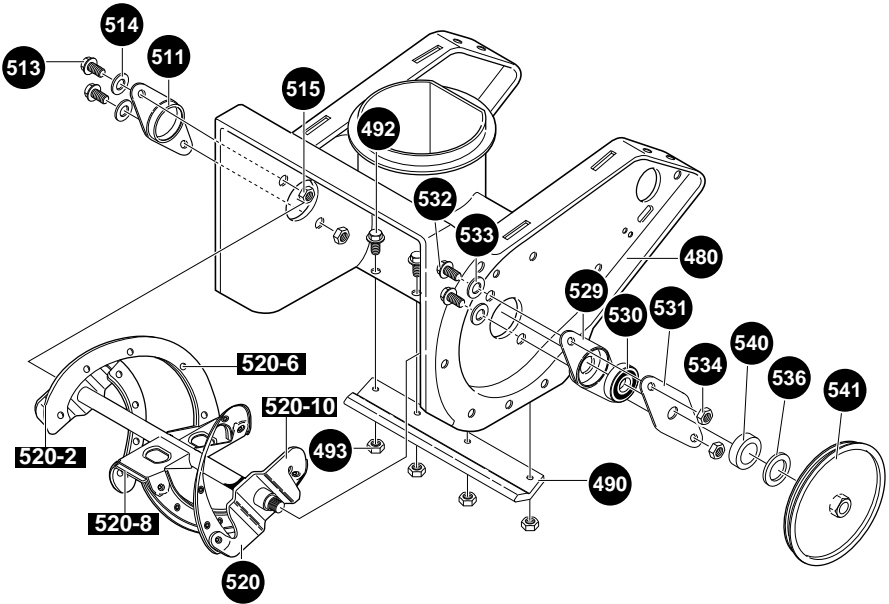


REF NO.	PART NO.	PART NAME
150	601 00 17-84	BELT COVER
151	601 00 05-14	SCREW, 10-24X.38
170	601 00 17-85	COVER, TOP
171	601 00 17-86	SCREW, #10-24X.50
172	601 00 17-03	FLATWASHER .203X.56X.049
173	601 00 17-87	SCREW, #10-24X.63
174	601 00 00-17	FLATWASHER .250X.56X.049
184	601 00 17-88	NUT, TINN "U" TYPE
190	601 00 13-55	GROMMET & WASHER
191	601 00 17-89	GRIP, MITTEN
200	601 00 13-58	SWITCH, IGNITION
201	601 00 13-59	WASHER, REGINTLK
202	601 00 13-60	NUT, 5/8-32 HXHD IGN. SWITCH
203	601 00 13-61	2 KEYS & RING ASSY
210	601 00 13-62	PRIMER, ENGINE
211	601 00 13-63	HOSE, PRIM
212	601 00 17-90	NUT, 1/4-20 HEXKEPS
220	601 00 17-91	BRACKET, SHROUD MTG
221	601 00 17-92	SCREW #10-24X.63 TAP
230	601 00 17-93	DOOR
232	601 00 17-94	SCREW #10-16X.75

313976 C

21" SNOW THROWER MODEL ST521E

AUGER AND HOUSING ASSEMBLY

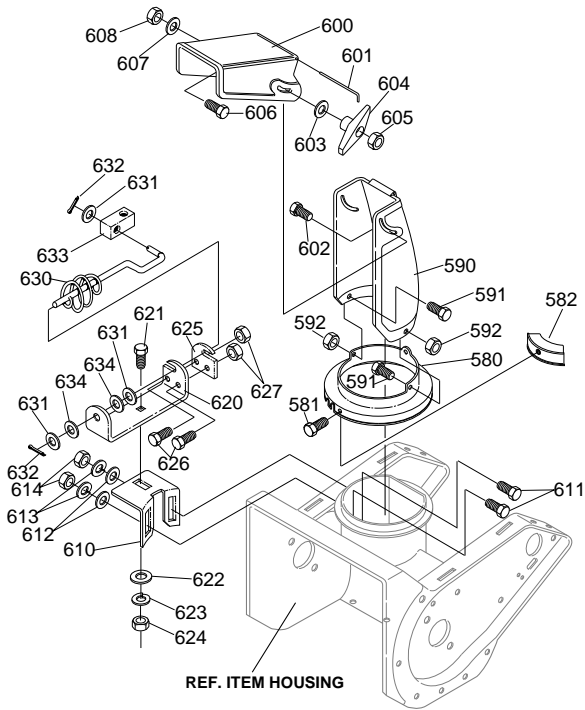


REF NO.	PART NO.	PART NAME
480	601 00 20-85	HOUSING, AUGER
490	601 00 17-96	SCRAPER BLADE
492	601 00 17-97	SCREW, 1/4-20X.63
493	601 00 08-27	NUT, 1/4-20 MAC-LOCK
511	601 00 13-79	BEARING, FLANGED
513	601 00 13-80	SCREW, 1/4-20X.88
514	601 00 00-18	FLATWASHER .281X.63X.065
515	601 00 08-27	NUT, 1/4-20 MAC-LOCK
520	601 00 17-98	AUGER, ASSY COMP
520-2	601 00 19-35	BLADE, AUGER
520-6	601 00 19-34	RIVET, OVSET
520-8	601 00 20-88	AUGER, ASSY COMP
520-10	601 00 17-98	AUGER & BLADE SUPP.
529	601 00 20-86	BEARING RETAINER
530	601 00 05-65	BALL BEARING
531	601 00 13-81	PLATE, RETAINER BRNG
532	601 00 00-68	SCREW 1/4-20X.75
533	601 00 00-18	FLATWASHER .281X.63X.065
534	601 00 00-62	NUT, 1/4-20 RGHXCTRLK
536	601 00 05-31	FLATWASHER .640X1.25X.06
540	601 00 20-87	SPACER, SLEV
541	601 00 20-95	PULLEY, RIBBED

340515 B

21" SNOW THROWER MODEL ST521E

CHUTE ASSEMBLY

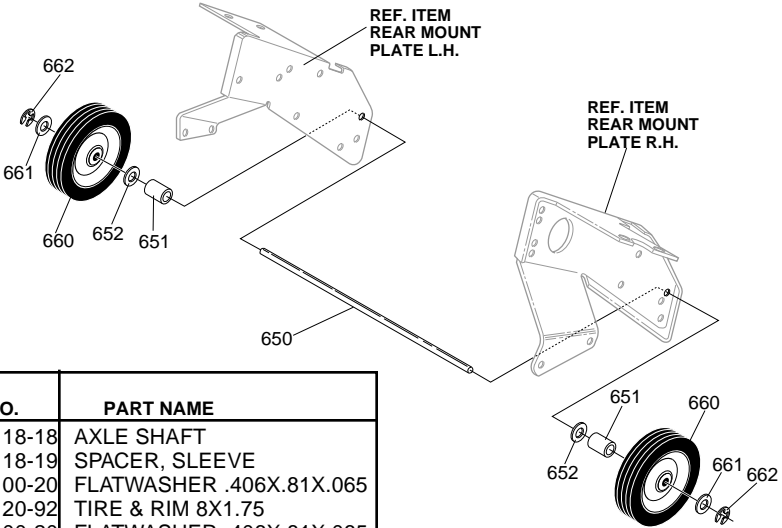


REF NO.	PART NO.	PART NAME
580	601 00 18-01	LOWER CHUTE RING
581	601 00 18-02	SCREW 1/4-14X.63
582	601 00 18-03	CLIP, CHUTE RING
590	601 00 18-04	LOWER CHUTE
591	601 00 00-66	SCREW, 1/4-20X.50
592	601 00 08-27	NUT, 1/4-20 MAC-LOCK
600	601 00 18-05	UPPER CHUTE
601	601 00 13-89	WIRE, HINGE
602	601 00 13-90	CARR. BOLT 5/16-18X1.25
603	601 00 00-19	FLATWASHER
604	601 00 06-84	KNOB, T 2BLADE
605	601 00 00-12	NUT, 5/16-18 REGHEX
606	601 00 20-38	SCREW 5/16-18X.75
607	601 00 00-19	FLATWASHER
608	601 00 00-59	NUT, 5/16-18 RGHXCTRLK
610	601 00 20-89	BRACKET, WORM ADJUST
611	601 00 14-11	CARR. BOLT 5/16-18X.75
612	601 00 00-19	FLATWASHER
613	601 00 00-23	WASHER, HVSP TLK
614	601 00 00-12	NUT, 5/16-18 REGHEX
620	601 00 20-91	BRACKET, CHUTE ROD
621	601 00 14-11	CARR. BOLT 5/16-18X.75
622	601 00 00-19	FLATWASHER
623	601 00 00-23	WASHER, HVSP TLK
624	601 00 00-12	NUT, 5/16-18 REGHEX
625	601 00 18-09	PLATE, CHUTE ROD
626	601 00 00-66	SCREW 1/4-20X.50
627	601 00 00-62	NUT, 1/4-20 RGHXCTRLK
630	601 00 18-10	ROD, ASSY CHUTE CTRL
631	601 00 18-51	FLATWASHER
632	601 00 00-25	COTTER PIN
633	601 00 18-11	BLOCK, PIVOT
634	601 00 14-04	WASHER, CURVED SPRING

314356 E

21" SNOW THROWER MODEL ST521E

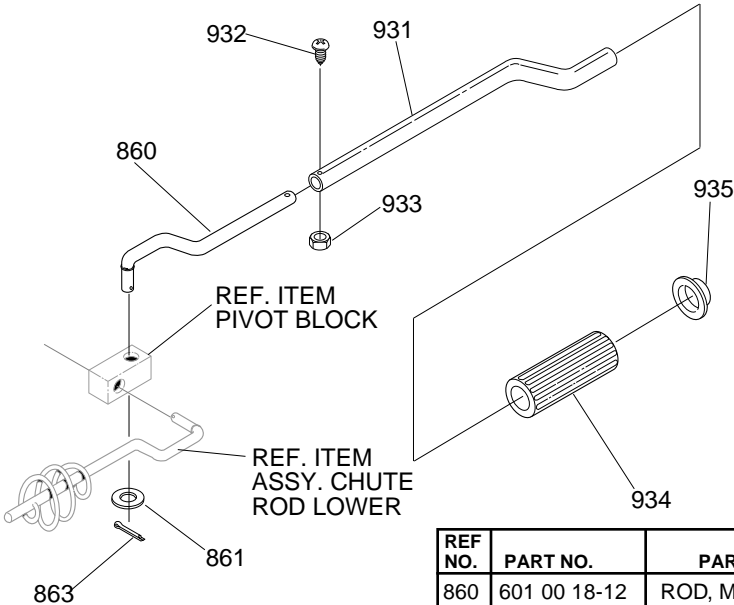
WHEELS ASSEMBLY



REF NO.	PART NO.	PART NAME
650	601 00 18-18	AXLE SHAFT
651	601 00 18-19	SPACER, SLEEVE
652	601 00 00-20	FLATWASHER .406X.81X.065
660	601 00 20-92	TIRE & RIM 8X1.75
661	601 00 00-20	FLATWASHER .406X.81X.065
662	601 00 14-30	RING, RET.

334817 A

CHUTE ROD ASSEMBLY

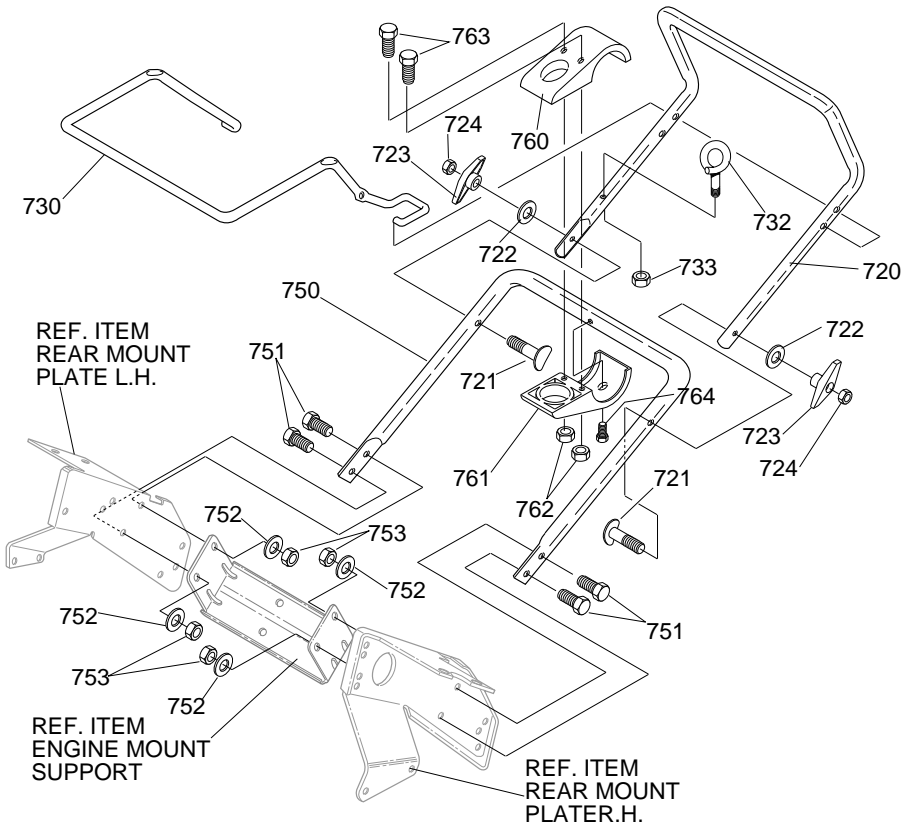


REF NO.	PART NO.	PART NAME
860	601 00 18-12	ROD, MID CHUTE CTRL
861	601 00 18-10	FLATWASHER .40X.75X.025
863	601 00 00-25	COTTER PIN
931	601 00 18-13	ROD CHUTE CTRL UPPER
932	601 00 18-14	SCREW 10-32X.88
933	601 00 18-15	NUT #10-32 CTRLK
934	601 00 18-16	KNOB, CHUTE CRANK
935	601 00 18-17	NUT, PUSH 3/8"

313981 B

21" SNOW THROWER MODEL ST521E

HANDLE ASSEMBLY



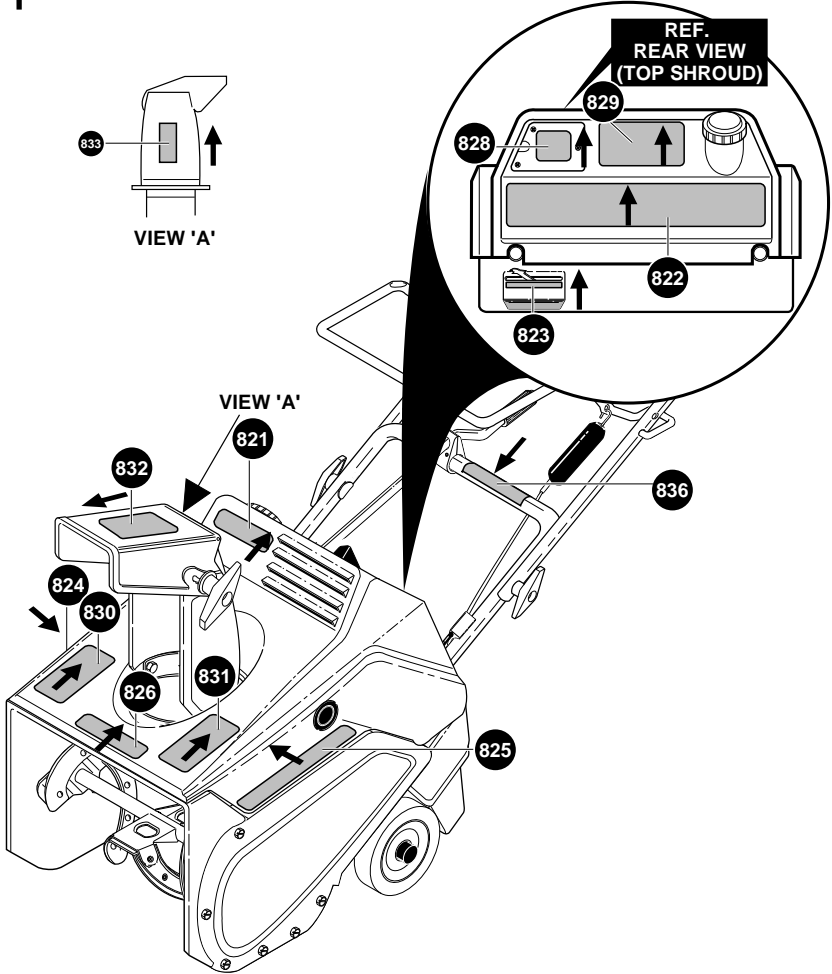
REF NO.	PART NO.	PART NAME
720	601 00 21-49	HANDLE & FOAM ASSY
721	601 00 14-00	BOLT, 5/16-18X2.00 CUH
722	601 00 14-01	FORMED WASHER
723	601 00 06-84	KNOB, T 2/BLADE
724	601 00 00-12	NUT, 5/16-18 REGHEX
730	601 00 18-22	CONTROL DRIVE BAR
732	601 00 21-51	ROPE GUIDE
733	601 00 00-59	NUT, 5/16-18 RGHXCTRLK
750	601 00 18-23	LOWER HANDLE
751	601 00 00-73	SCREW 5/16-18X.75
752	601 00 00-19	FLATWASHER
753	601 00 00-59	NUT, 5/16-18 RGHXCTRLK
760	601 00 18-24	BRKT, HALF CHUTE CRANK
761	601 00 18-25	BRKT, HALF CHUTE CRANK
762	601 00 16-42	NUT #10-24 HEXNYLLK
763	601 00 18-26	SCREW #10-24X1.00
764	601 00 14-45	SCREW 1/4-20X.63 TAP.

314468 B

21" SNOW THROWER MODEL ST521E

DECALS

↑ Symbol denotes top of decal application.



REF NO.	PART NO.	PART NAME
821	601 00 20-98	DECAL, CROWN LOGO
822	601 00 18-28	DECAL, CONTROL PANEL ES
823	601 00 18-29	DECAL, OFF-CHOKE-ON
824	601 00 20-99	DECAL, ST521E SIDE PANEL
826	601 00 20-96	DECAL, HUSQVARNA TOP COVER
828	601 00 18-78	DECAL, FUEL MIX ENG/FR
829	601 00 18-79	DECAL, START INSTRU ENG/FR
830	601 00 14-16	DECAL, DANGER CHUTE ENG/FR
831	601 00 14-17	DECAL, DANGER AUGER ENG/FR
832	601 00 20-97	DECAL, HUSQ "CROWN"
833	601 00 18-81	DECAL, SAFETY INSTRU ENG/FR
836	601 00 21-15	DECAL, AUGER CONTROL BAR

337295E