

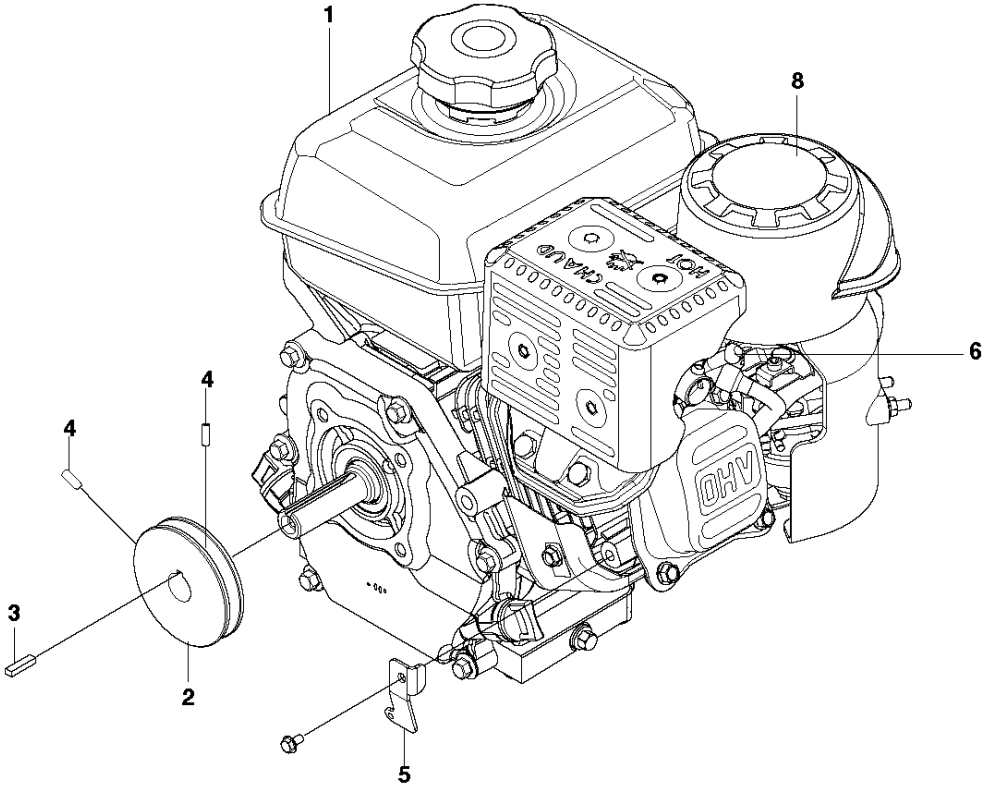
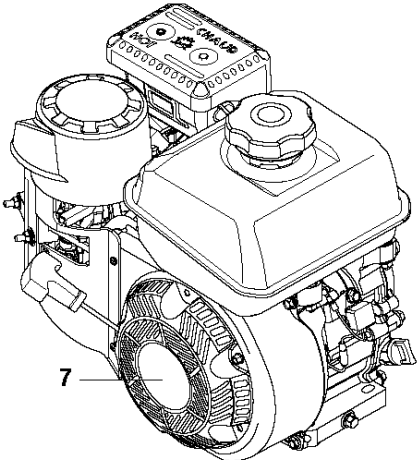


# SPARE PARTS LIST

EARLY ENTRY SAWS

SOFF CUT 150 D, 2019-03

**A** Soff-Cut 150 D  
SUB ASSEMBLY

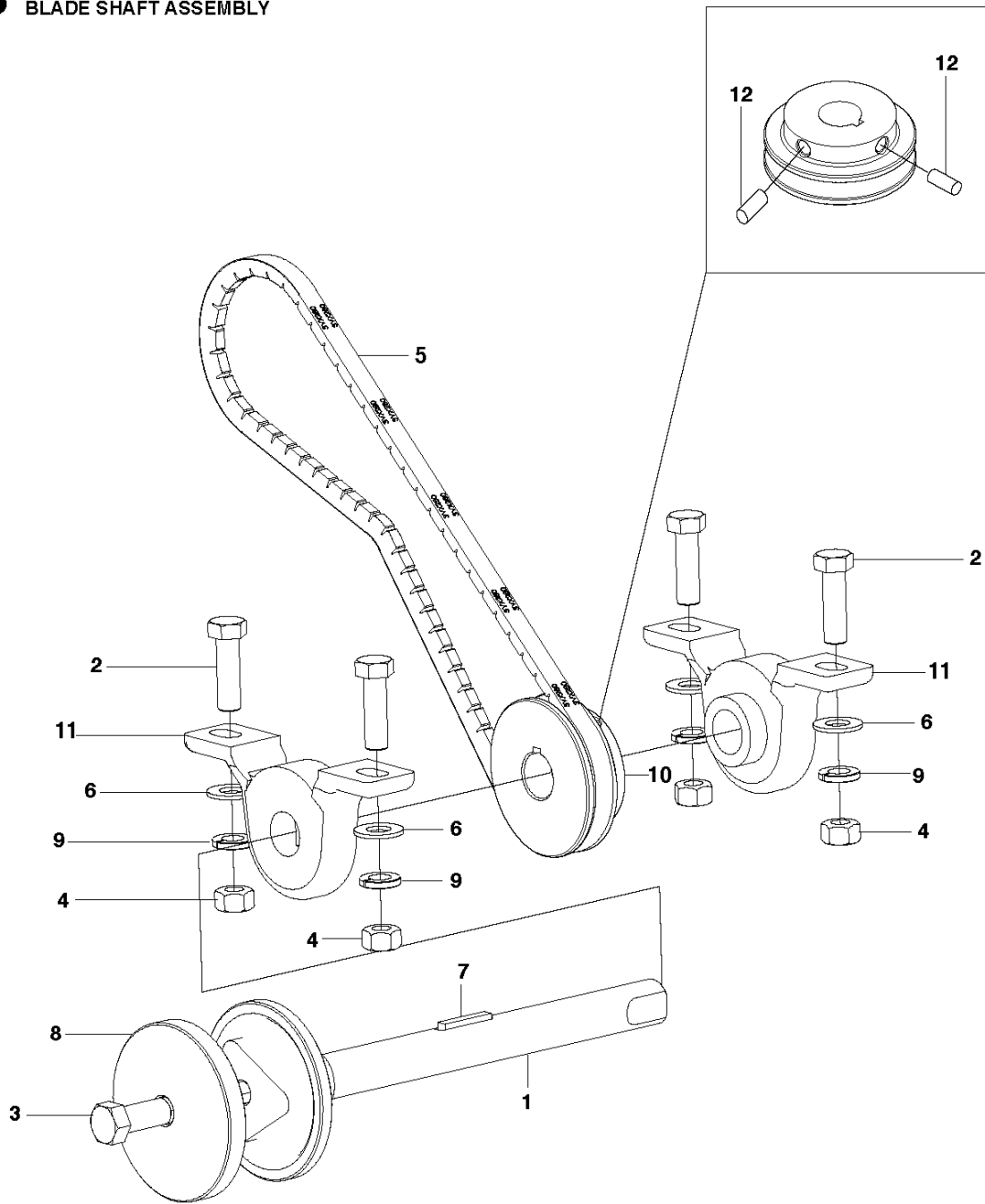


## ENGINE

SOFF CUT 150 D, 2019-03

Ref	Part No	Description	Remark	QTY KIT
1	592 88 82-01	ENGINE		1
2	582 66 93-01	PULLEY KIT		1
3	510 31 73-01	KEY		1
4	728 84 47-05	SCREW IHSETM		2
5	592 92 06-01	BRACKET		1
6	593 13 17-01	SPARK PLUG		1
7	594 11 05-01	STARTER		1
8	594 11 02-01	AIR FILTER		1

**B** Soff-Cut 150 D  
BLADE SHAFT ASSEMBLY

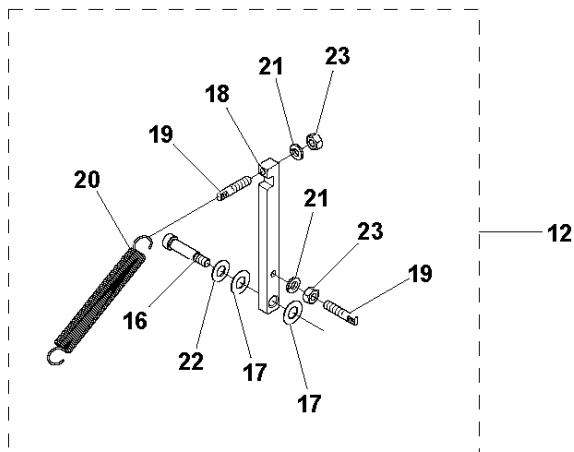
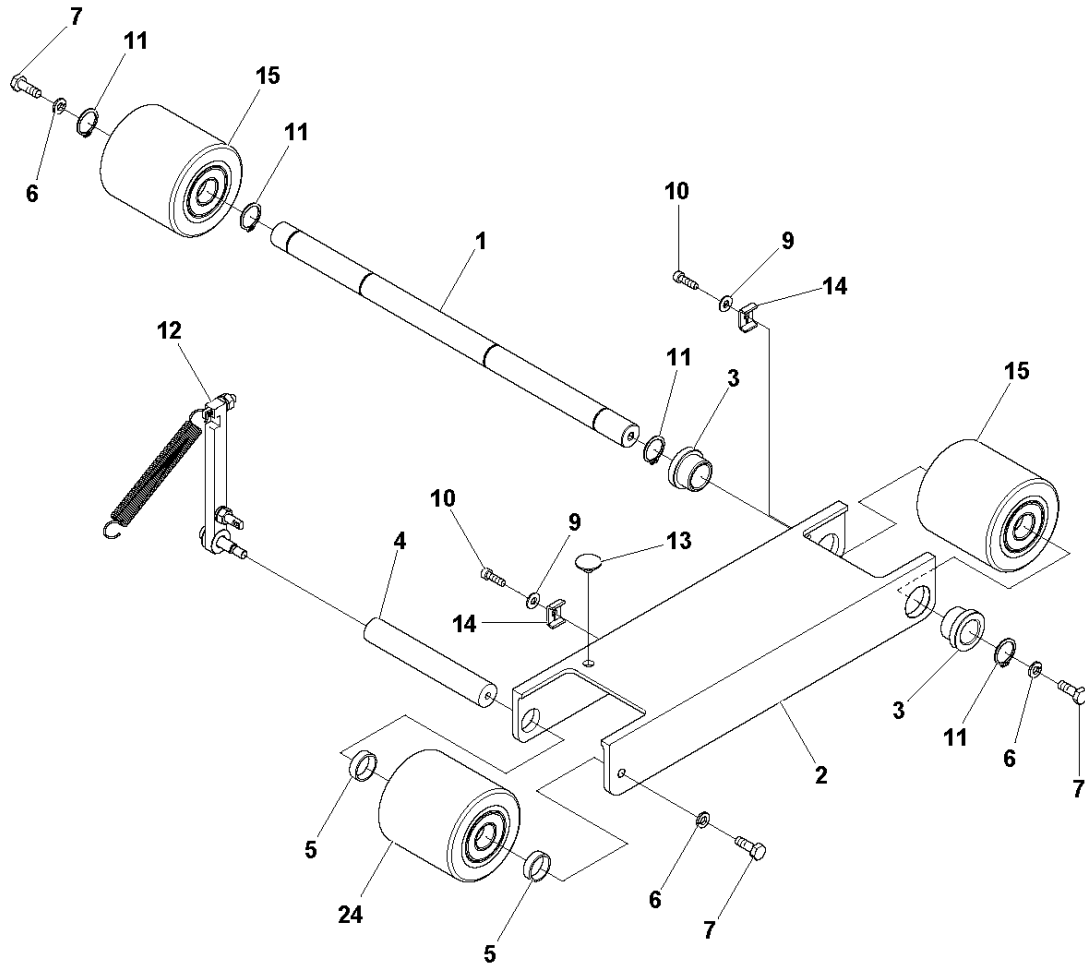


## BLADE SHAFT

SOFF CUT 150 D, 2019-03

Ref	Part No	Description	Remark	QTY KIT
1	505 58 84-01	BLADE SHAFT		1
2	505 72 76-01	HEX BOLT 3/8-16X1 1/4 CAD GR 5		4
3	505 57 34-01	BOLT		1
4	505 73 21-01	NUT		4
5	588 76 92-01	BELT		1
6	505 72 46-01	FLAT WASH 3/8 STL CAD		4
7	510 31 73-01	KEY		1
8	505 49 15-02	WASHER		1
9	505 73 10-01	WASHER		4
10	579 79 45-01	SHEAVE		1
11	505 59 20-01	BLADE SHAFT		2
12	728 84 47-05	SCREW IHSETM		2

**C** Soff-Cut 150 D  
WHEEL CARRIAGE ASSEMBLY

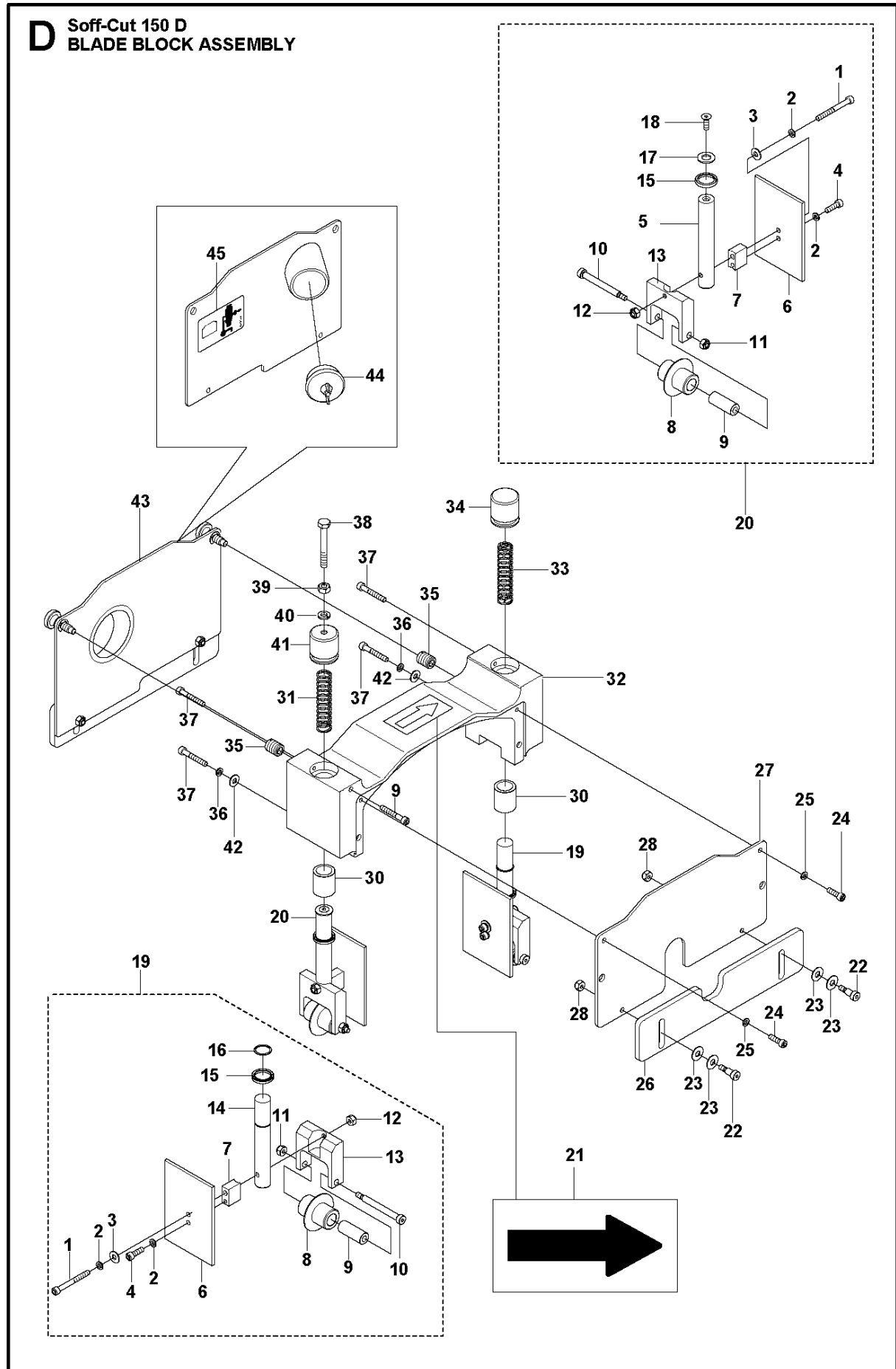


## WHEELS &amp; TIRES

SOFF CUT 150 D, 2019-03

Ref	Part No	Description	Remark	QTY	KIT
1	505 58 67-01	REAR AXLE		1	
2	505 58 68-01	FRAME		1	
3	505 58 69-01	BUSHING		2	
4	505 58 81-01	FRONT AXLE SYSTEM		1	
5	505 58 89-01	SPACER		2	
6	505 63 28-01	WASHER		3	
7	505 62 75-01	BOLT		3	
9	505 63 53-01	WASHER		2	
10	505 72 97-01	BOLT		2	
11	505 73 35-01	SNAP RING		4	
12	510 27 27-11	ARM		1	
13	505 62 53-01	BUTTON		1	
14	505 64 89-01	BOLT		2	
15	505 59 29-01	WHEEL		2	
16	505 72 67-01	BOLT		1	12
17	505 63 45-01	WASHER		2	12
18	505 58 70-01	LEVER		1	12
19	505 77 45-01	ANCHOR		2	12
20	505 73 79-01	SPRING		1	12
21	505 63 28-01	WASHER		2	12
22	505 72 52-01	WASHER		1	12
23	505 63 19-01	NUT		2	12
24	505 69 03-01	WHEEL		1	

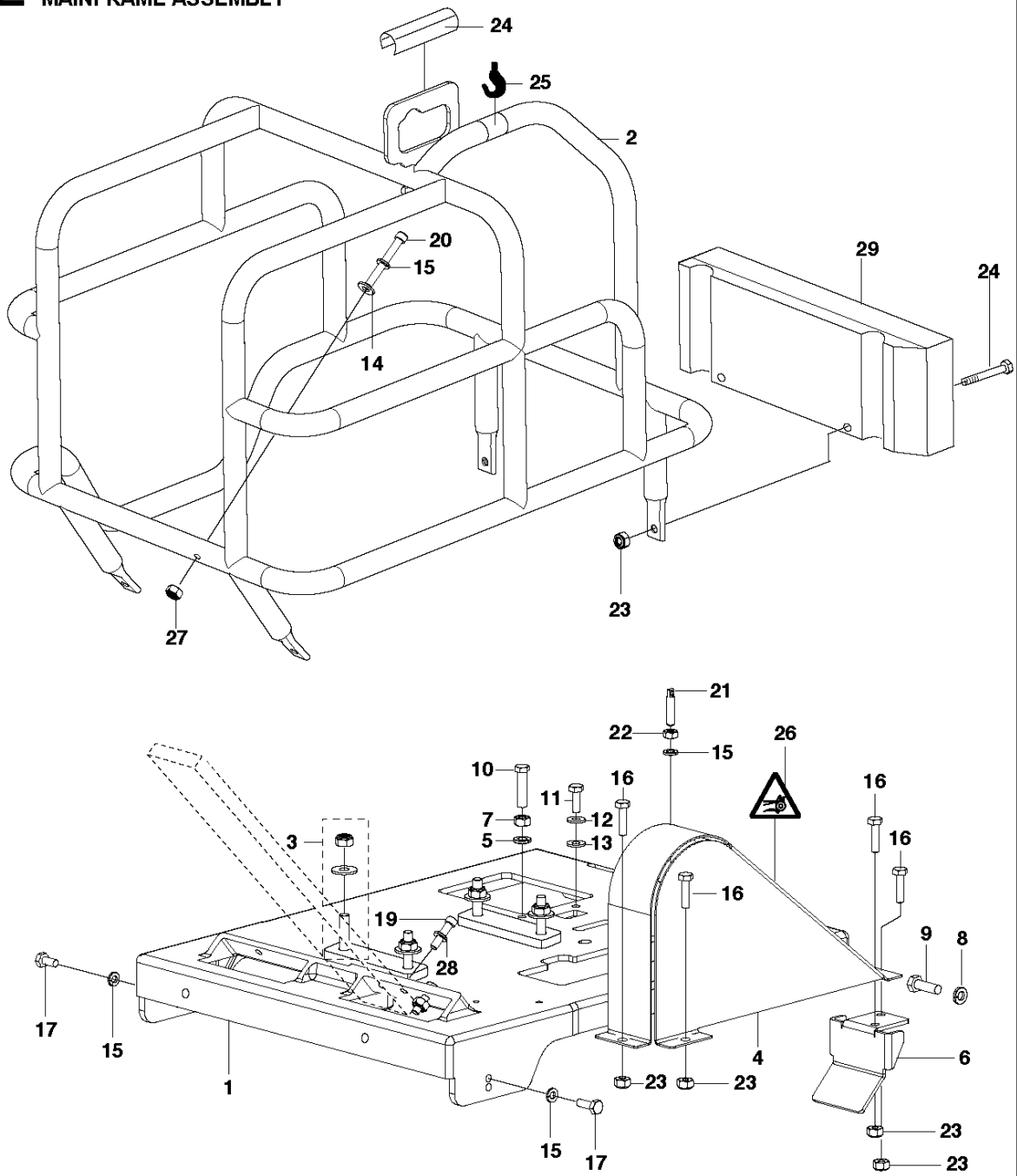
**D** Soff-Cut 150 D  
BLADE BLOCK ASSEMBLY





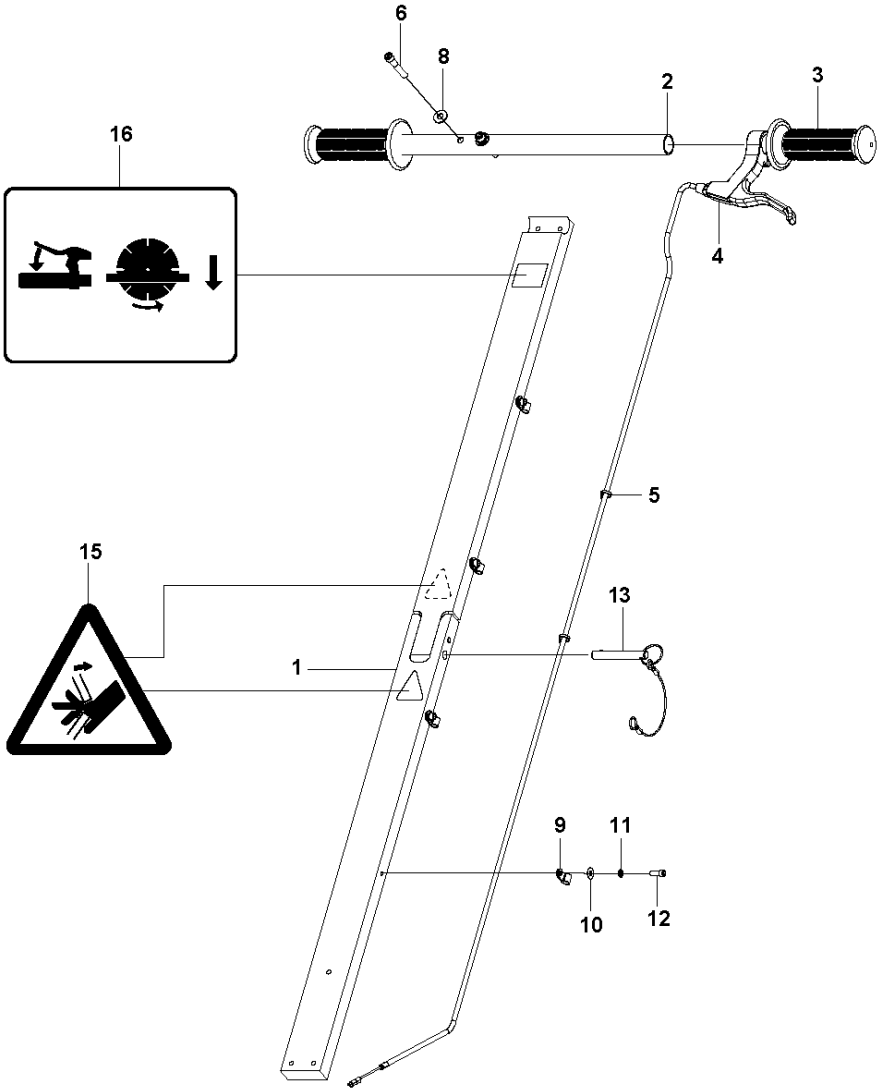
Ref	Part No	Description	Remark	QTY	KIT
1	505 59 18-01	BOLT		2	19, 20
2	505 63 31-01	WASHER		4	19, 20
3	505 72 53-01	WASHER		2	19, 20
4	505 82 22-01	NUT		2	19, 20
5	505 59 03-01	SHAFT		1	20
6	505 59 00-01	PLATE		2	19, 20
7	505 58 97-01	SPACER		2	19, 20
8	505 59 02-01	GUIDE		2	19, 20
9	505 59 37-01	BUSHING		2	19, 20
10	505 77 12-01	BOLT		2	19, 20
11	505 63 04-01	NUT		2	19, 20
12	505 72 97-01	BOLT		2	19, 20
13	505 58 96-01	BLOCK		2	19, 20
14	505 59 04-01	SHAFT		1	19
15	505 59 38-01	DUST SEAL		2	19, 20
16	505 59 24-01	RETAINER RING		1	19
17	734 11 54-41	WASHER		1	20
18	505 72 99-01	SCREW		1	20
19	505 87 66-01	ROD		1	
20	505 87 65-01	FRONT AXLE ASSY		1	
21	582 18 57-01	DECAL		1	
22	505 68 64-01	BOLT		2	
23	505 63 44-01	WASHER		4	
24	505 72 97-01	BOLT		2	
25	505 63 31-01	WASHER		2	
26	505 58 79-01	INNER PLATE		1	
27	505 58 76-01	REAR COVER		1	
28	505 63 04-01	NUT		2	
30	505 59 36-01	BUSHING		2	
31	505 59 01-01	HOUSING		1	
32	505 59 01-01	HOUSING		1	
33	505 59 30-01	SPRING		1	
34	505 59 08-01	CAP		1	
35	505 74 83-01	INSERT		2	
36	505 63 31-01	WASHER		2	
37	505 59 14-01	BOLT		5	
38	505 72 81-01	BOLT		1	
39	505 63 19-01	NUT		1	
40	505 63 28-01	WASHER		1	
41	505 59 05-01	CAP		1	
42	505 72 53-01	WASHER		2	
43	589 94 90-01	COVER		1	
44	593 68 20-01	PLUG		1	
45	597 02 69-01	DECAL		1	

**E** Soff-Cut 150 D  
MAINFRAME ASSEMBLY



Ref	Part No	Description	Remark	QTY KIT
1	505 58 65-01	BOTTOM BLADE		1
2	596 04 12-01	FRAME ASSY		1
3	589 39 56-01	ENGINE PLATE	Kit	1
4	582 10 59-01	GUARD		1
5	539 99 07-17	NUT		4
6	505 58 95-01	COVER		1
7	541 20 47-80	WASHER		4
8	505 63 30-01	WASHER		3
9	539 99 02-09	SCREW		2
10	505 68 77-01	BOLT		4
11	522 44 26-01	BOLT		1
12	505 73 24-01	NUT		1
13	505 63 30-01	WASHER		1
14	505 63 20-01	WASHER		1
15	505 63 28-01	WASHER		11
16	582 63 92-01	SCREW		4
17	582 63 92-01	SCREW		6
19	505 72 88-01	BOLT		2
20	505 72 89-01	BOLT		1
21	505 77 45-01	ANCHOR		1
22	505 63 19-01	NUT		1
23	505 63 05-01	NYLOC NUT 1/4-20 CAD PL.		9
24	589 39 45-01	SEALING STRIP		1
25	590 82 16-01	DECAL		1
26	596 99 06-01	DECAL		1
27	505 63 05-01	NYLOC NUT 1/4-20 CAD PL.		1
28	505 63 20-01	WASHER		2
29	505 58 98-01	PLATE		1

**F** Soff-Cut 150 D  
HANDLE ASSEMBLY



## HANDLE

SOFF CUT 150 D, 2019-03

Ref	Part No	Description	Remark	QTY KIT
16	582 18 54-01	DECAL		1
1	505 87 58-01	HANDLE		1
2	592 73 77-01	HANDLE		1
3	596 32 68-01	HANDLE GRIP		2
4	505 48 27-01	CABLE		1
5	510 33 17-01	TIE WRAP		2
6	505 72 88-01	BOLT		2
8	505 63 20-01	WASHER		2
9	587 05 74-01	CABLE CLAMP		4
10	505 63 53-01	WASHER		4
11	505 63 31-01	WASHER		4
12	505 72 97-01	BOLT		4
13	574 71 98-01	KIT		1
15	595 08 41-01	DECAL		2