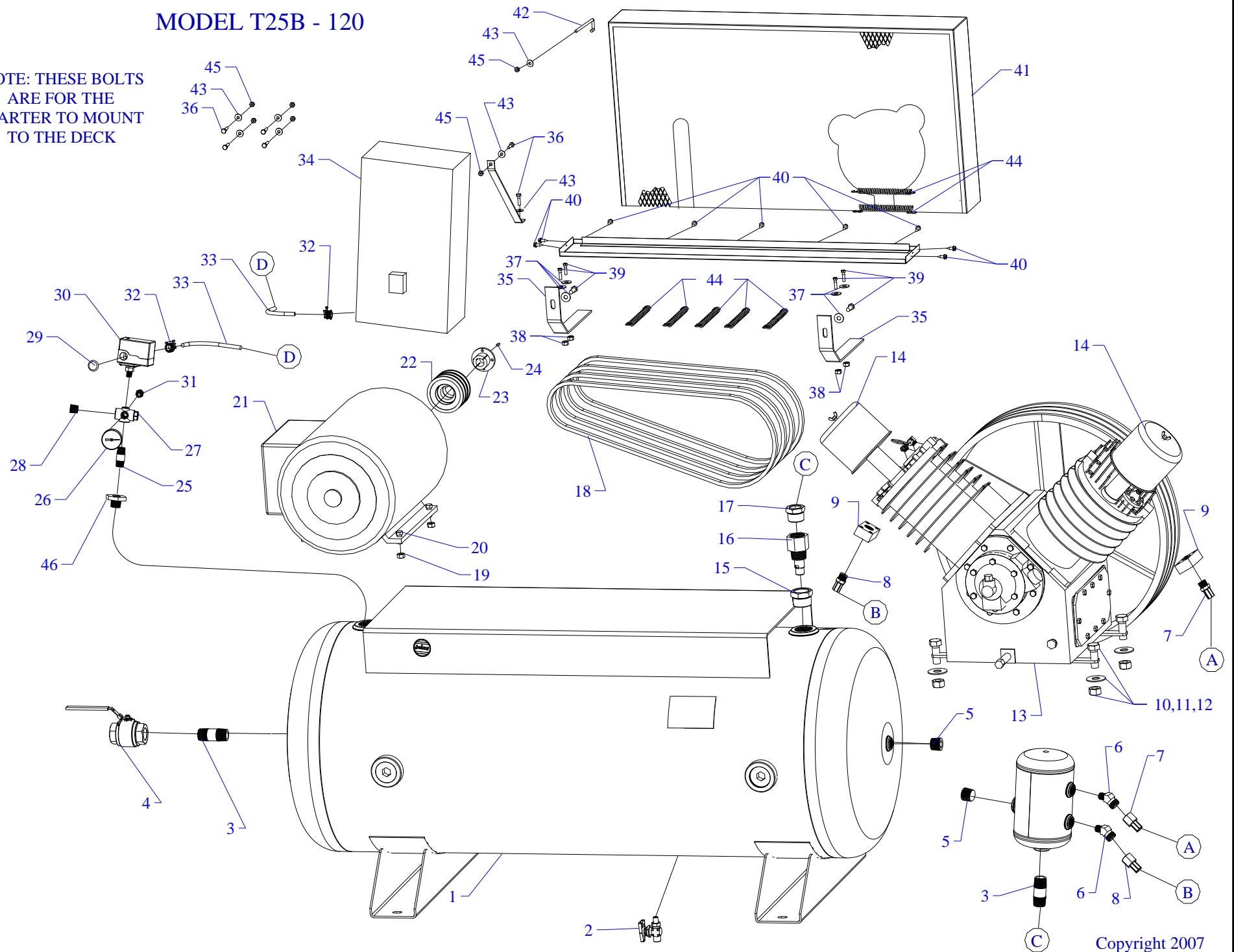


# MODEL T25B - 120

NOTE: THESE BOLTS  
ARE FOR THE  
STARTER TO MOUNT  
TO THE DECK



## Parts List for Model T25B-120 Three Phase

NOTE: The quantity number indicates the total number of pieces required for a complete unit repair.  
When ordering parts give compressor model, serial number and part number. Order assemblies when possible.

<u>REF. NO.</u>	<u>PART NO.</u>	<u>DESCRIPTION</u>	<u>QTY.</u>
1	411-1085	TANK,HRZNTL,120G,UNB,G&W&U&TE/UG,H120U1	1
2	141-1077	VALVE,BALL,LEVER,1/4 TURN,1/4"M X 1/4"F	1
3	122-1100	NIPPLE,STEEL,SCH 40,1" X CL	2
4	141-1060	VALVE,BALL,LEVER,1/4 TURN,1",GV10	1
5	122-1049	PLUG,HEX HEAD,STEEL,BLK,1" NPT	2
6	121-1110	ELBOW,BRASS,MALE,45DEG,3/4-45SAEX3/4"NPT	2
7	360-1178	AFTERCOOLER,HOSE,SS,TEFLON,3/4"ODX24-1/2	1
8	360-1181	AFTERCOOLER,HOSE,SS,TEFLON,3/4"ODX36"	1
9	123-1158	ADAPTOR,DISCHARGE,FLANGE,CI,3/4"NPTF	2
10	122472	SCREW,CAP,HEX HD,GR5,ST,PL,1/2-13X2-1/2	4
11	120-1082	WASHER,LOCK,SPLIT,STEEL,PLATED,1/2"	4
12	120-1124	NUT,HEX,STEEL,PLATED,1/2-13	4
13	421-1605	PUMP,CMPRSR,PISTON,REPLCMT,T	1
14	160-1058	FILTER,INTAKE,AIR,1-1/2"NPTM,FA15	2
15	122-1079	BUSHING,REDUCER,HEX,ST,PLTD,1-1/2 X1-1/4	1
16	141-1039	VALVE,CHECK,INSERT,1-1/4" X1-1/4"	1
17	122-1075	BUSHING,REDUCER,HEX,ST,PLTD,1-1/4" X 1"N	1
18	154-B108	BELT,VEE,B108.3,5L-1011	4
19	120-1124	NUT,HEX,STEEL,PLATED,1/2-13	4
20	120-1049	SCREW,CAP,HEXHD,GR5,ST,PLTD,1/2-13X1-1/2	4
21	130-1040	MOTOR,25HP,200/60/3,1725RPM,ODP	1
21*	130-1041	MOTOR,25HP,230-480/50-60/3,1765RPM,ODP	1
22	154-1089	PULLEY,CI,QG,SK,9.4PDB,4B94SK	1
23	154-1111	BUSHING,PULLEY,TAPERED,SK,1-5/8	1

## Parts List for Model T25B-120 Three Phase

NOTE: The quantity number indicates the total number of pieces required for a complete unit repair.  
When ordering parts give compressor model, serial number and part number. Order assemblies when possible.

<u>REF. NO.</u>	<u>PART NO.</u>	<u>DESCRIPTION</u>	<u>QTY.</u>
24	85847	KEY,ST,3/8"X3/8"X2"LONG	1
25	122-1088	NIPPLE,STEEL,SCH 80,PLATED,1/2" X 2"	1
26	142-1001	GAUGE,PSI,300#,BK MT,JENNY,2",1/4NPT,PG3	1
27	220-1122	BLOCK,MANIFOLD,AL,5 PORT,MC-5S	1
28	122-1047	PLUG,SOCKET,HEX,ST,PLTD,1/2" NPT	1
29	81549-8	PLUG,HOLE,PLASTIC,BLACK,1/2"	1
30	140-1072	SWITCH,PSI,2HP,115-175#,PB	1
31	141-1011	VALVE,SAFETY,ASME,1/4",200 PSI,SVU200	1
32	123-1029	CONNECTOR,ROMEX,CLAMP,STRAIGHT,3/8"	4
33	123-1003	WIRE,ASSY,BX,14/2,WITH GROUND	4FT
34	330-1033	MAG STR,50A,3P,460V,SVC,MGSE-3-460	1
34*	330-1034	MAGSTR15,20,25HP3-200/208/230,MGSG-3-230	1
35	109-1148	BRACKET,DECK/BELTGUARD,T	2
36	120-1009	SCREW,CAP,HEXHD,GR5,ST,PLTD,1/4-20X1-1/4	6
37	120-1075	WASHER,FLAT,STEEL,PLATED,5/16"	6
38	120-1119	NUT,LOCK,FLANGE,HEX,SERR,ST,PLTD,5/16-18	4
39	120-1021	SCREW,FLANGE,HEX,SERR,ST,PLTD,5/16-18X1	6
40	120-1177	SCREW,SELF DRILL,HEX,ST,PL,12 X 3/4	9
41	320-1028	BELTGUARD,GAS,T,BS PLT,ASSY,BLUE	1
42	120-1219	BOLT,"J",ST,PL,1/4-20 X 5-9/16 LENGTH	1
43	120-1071	WASHER,FLAT,STEEL,PLATED,USS,1/4"	7
44	120-1158	SPRING,ST,PL,#3 X 16" L (BELT GUARD)	4
45	120-1113	NUT,HEX,STEEL,PLATED,1/4-20	6

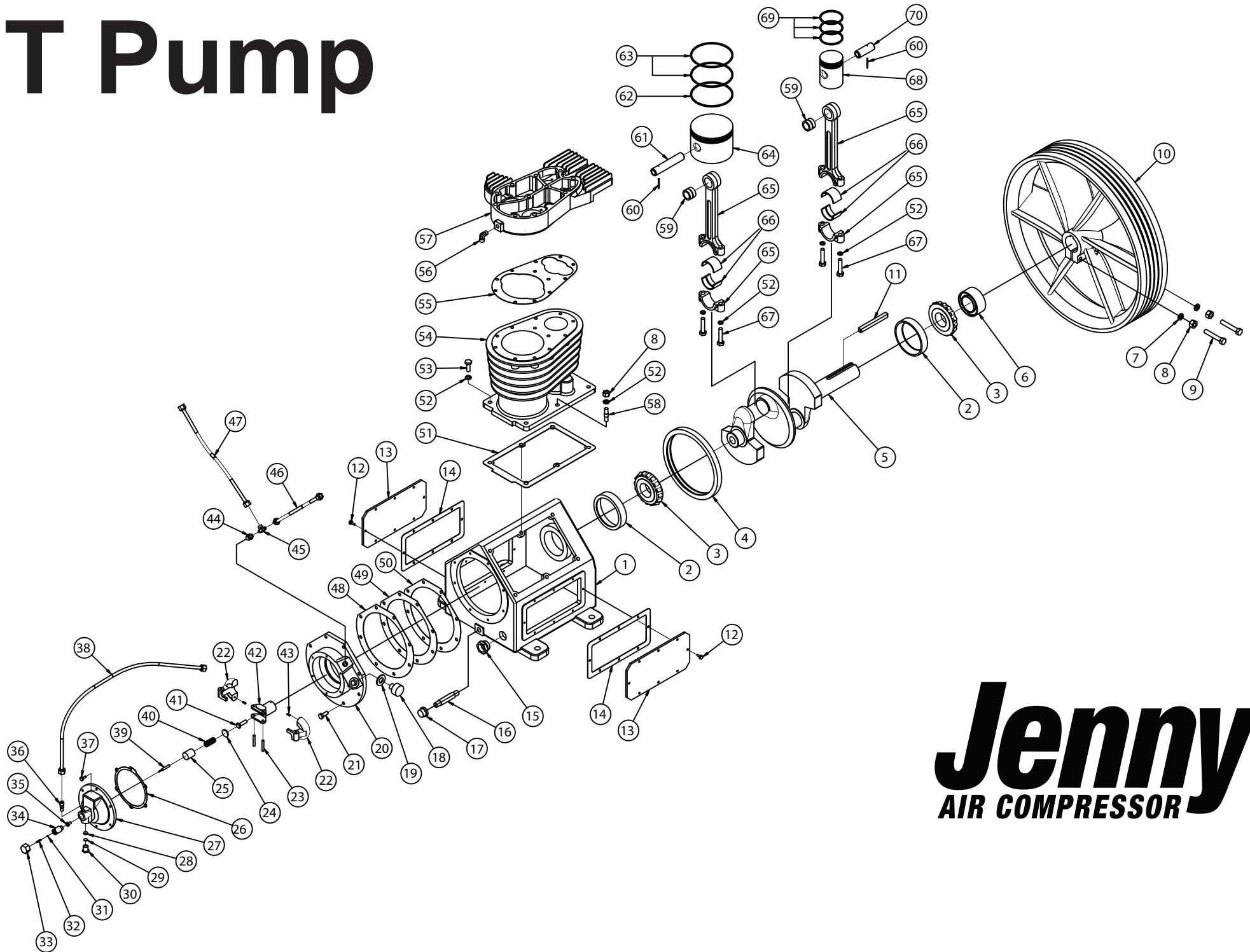
## Parts List for Model T25B-120 Three Phase

NOTE: The quantity number indicates the total number of pieces required for a complete unit repair.

When ordering parts give compressor model, serial number and part number. Order assemblies when possible.

<u>REF. NO.</u>	<u>PART NO.</u>	<u>DESCRIPTION</u>	<u>QTY.</u>
46	122-1076	BUSHING,REDUCER,HEX,ST,PLTD,1-1/2 X1/2NP	1
NOT SHOWN	160-1060	ELEMENT,FILTER,INTAKE,AIR,U14,FE1	2
NOT SHOWN	105-1210	OIL,PUMP,SYNTHETIC,BLUE,1 GALLON,ESG	1

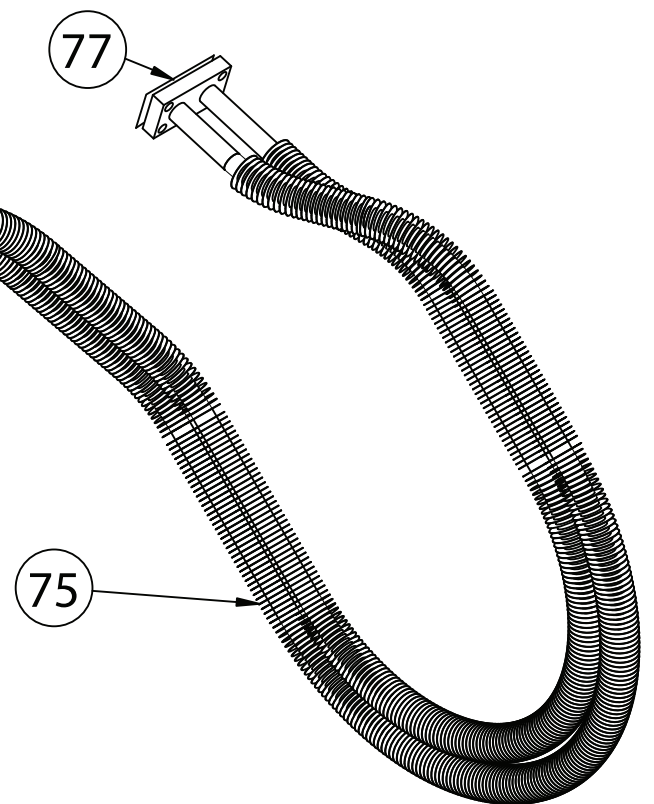
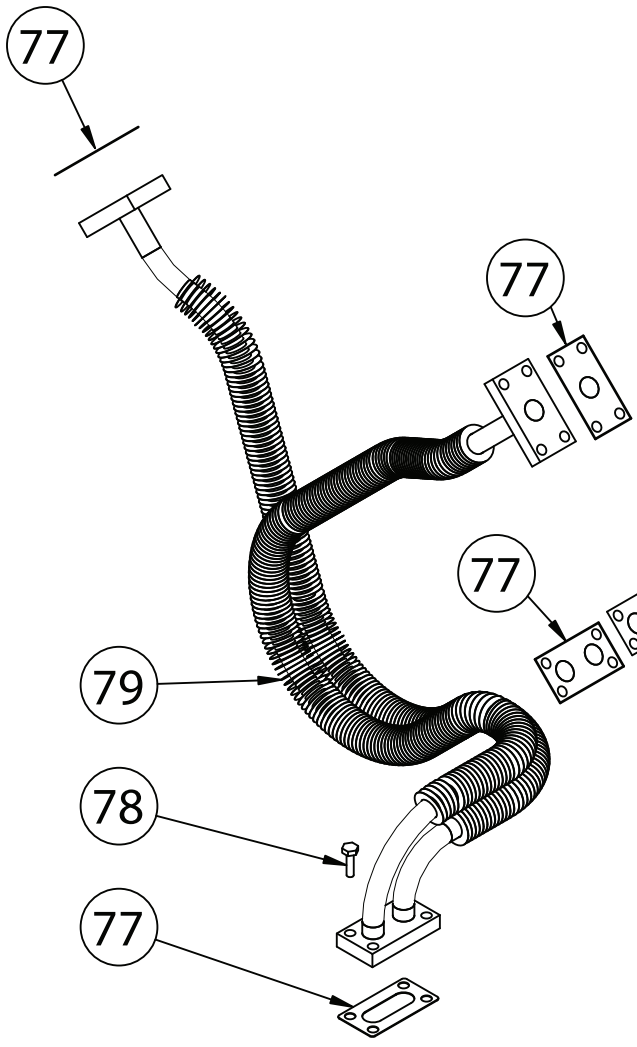
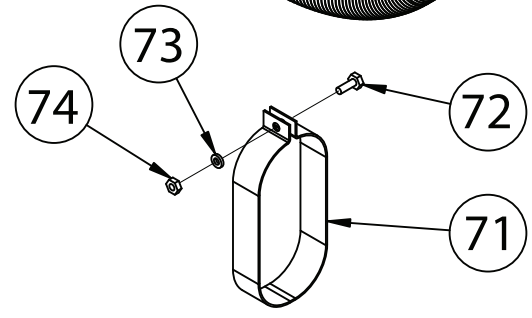
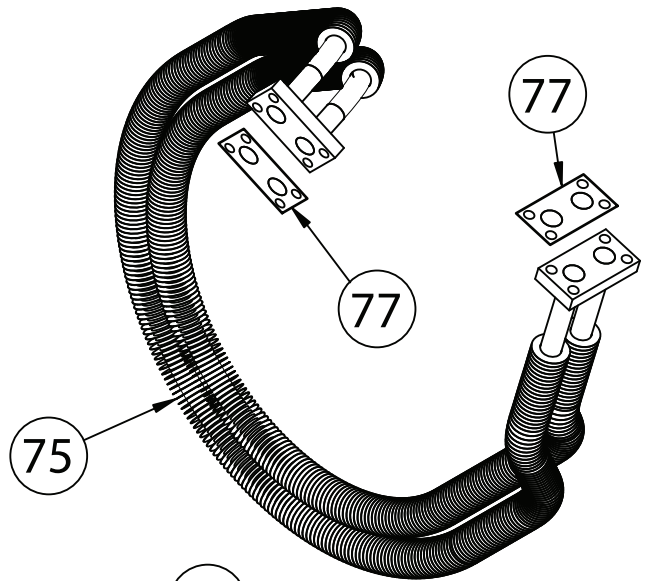
# T Pump



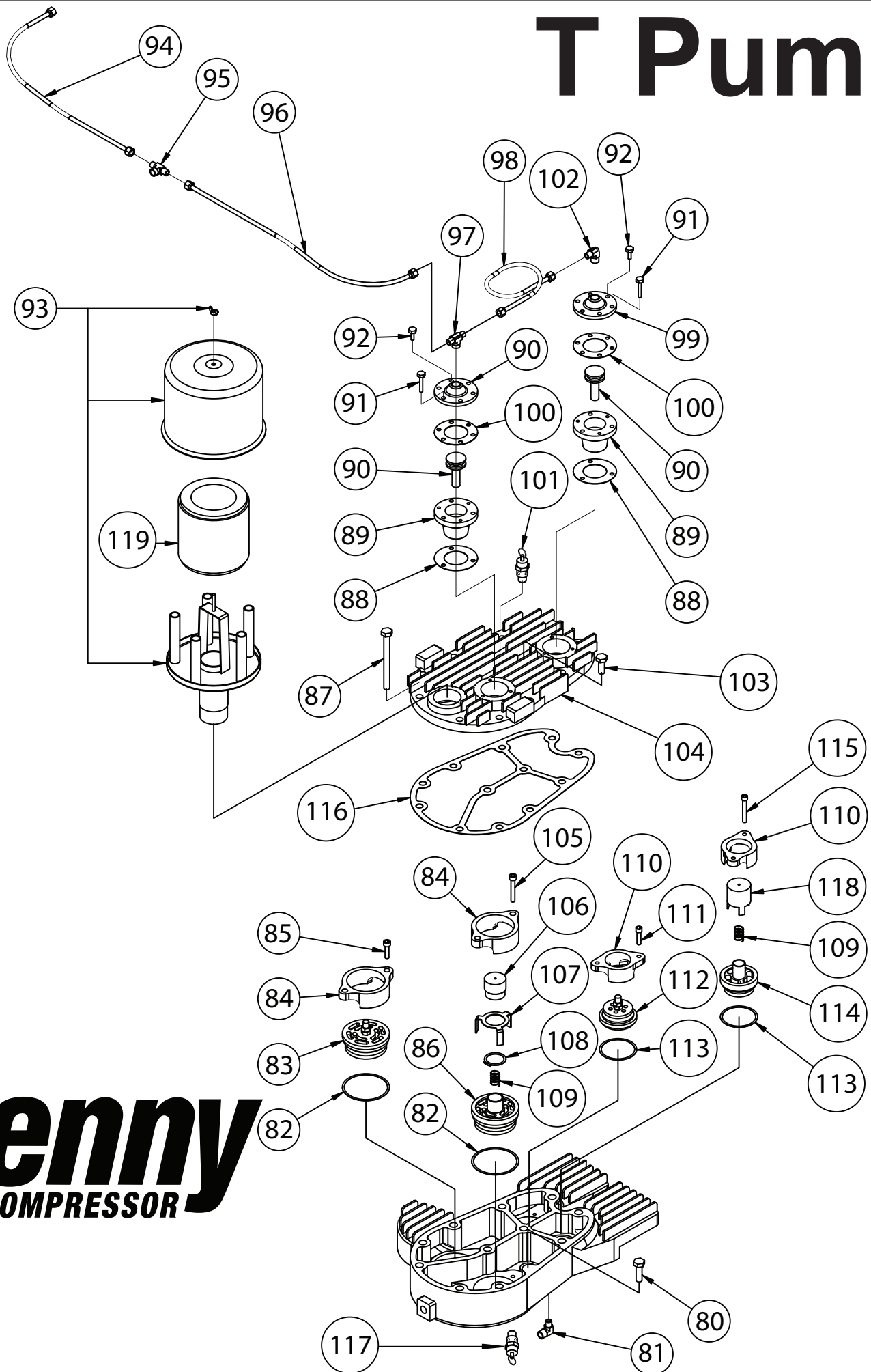
**Jenny**  
AIR COMPRESSOR

# Jenny

AIR COMPRESSOR



# T Pump



**Jenny**  
AIR COMPRESSOR

## Parts List for Model T

NOTE: The quantity number indicates the total number of pieces required for a complete pump repair.  
When ordering parts give compressor model, serial number and part number. Order assemblies when possible.

<u>REF. NO.</u>	<u>PART NO.</u>	<u>DESCRIPTION</u>	<u>QTY.</u>
1	631-38234	ASSY,BASE,CRANKCASE,& CUP,T-PUMP	1
2	631-37107	CUP,BEARING,T-PUMP	2
3	631-37108	CONE,BEARING,T-PUMP	2
4	631-37104	RING,FEEDER,OIL,T-PUMP	1
5	631-38229	ASSY,CRANKSHAFT,& CONE,T-PUMP	1
6	631-37525	SEAL,OIL,PULLEY END,T-PUMP	1
7	120-1082	WASHER,LOCK,SPLIT,STEEL,PLATED,1/2"	2
8	120-1124	NUT,HEX,STEEL,PLATED,1/2-13	2
9	120237	SCREW,CAP,HEX HD,GR5,ST,PL,1/2-13X3	2
10	631-38593	PULLY ASSY, REF: T	1
11	631-37109	SHAFT,KEY,T-PUMP	1
12	120-1002	SCREW,CAP,HEXHD,GR5,ST,BLK,1/4-20X5/8	16
13	631-37125	PLATE,SIDE,CRANKCASE,T-PUMP	2
14	631-37103	GASKET,PLATE,SIDE,T-PUMP	2
15	160-1053	GAUGE,SIGHT,LEVEL,OIL,1"NPT	1
16	219645	NIPPLE,STEEL,SCH40,1/2NPTX4"LONG	1
17	122-1085	CAP,HEX,STEEL,PLATED,1/2"NPT	1
18	631-38490	PLUG,FILLER,OIL,R-PUMP	1
19	631-38396	GASKET,PLUG,FILLER,OIL,R-PUMP	1
20	631-38643	ASSY,CUP,& COVER END,T-PUMP	1
21	120-1032	SCREW,CAP,HEXHD,GR5,ST,PLTD,3/8-16X1	8
22	631-49913	WGT RTNR & SHAFT ASSYREF:QMRU, 49913	1
23	631-38197	PIN,ROLL,STEEL,5/16,DIA X 1-3/4"L,T-PUMP	2



## Parts List for Model T

NOTE: The quantity number indicates the total number of pieces required for a complete pump repair.  
When ordering parts give compressor model, serial number and part number. Order assemblies when possible.

<u>REF. NO.</u>	<u>PART NO.</u>	<u>DESCRIPTION</u>	<u>QTY.</u>
24	631-38191	WASHER,STOP,PISTON,UNLOADER,T-PUMP	1
25	631-38177	PISTON,UNLOADER,T-PUMP	1
26	631-38267	GASKET,HOUSING,UNLOADER,T-PUMP	1
27	631-38258	ASSY,HOUSING,UNLOADER,T-PUMP	1
28	631-38193	FELT,FILTER,UNLOADER,T-PUMP	1
29	631-38192	SCREEN,FILTER,UNLOADER,T-PUMP	1
30	631-38178	NUT,FILTER,UNLOADER,T-PUMP	1
31	631-9325	BALL REF: T, 9325	1
32	631-38194	SPRING,RETURN,VALVE,UNLOADER,T-PUMP	1
33	631-38184	RETAINER,NUT,VALVE,UNLOADER,T-PUMP	1
34	631-38185	RETAINER,VALVE,UNLOADER,T-PUMP	1
35	631-38188	GUIDE,VALVE,UNLOADER,T-PUMP	1
36	121-1194	CONNECTOR,MALE,COMPRESSION,BR,5/16TBX1/8	2
37	120-1002	SCREW,CAP,HEXHD,GR5,ST,BLK,1/4-20X5/8	6
38	631-39097	TUBING,COPPER,PRE-CUT,5/16"X32"LONG	1
39	631-38182	STEM,VALVE,UNLOADER,T-PUMP	1
40	631-39793	SPRING,UNLOADER,T-PUMP	1
41	631-38190	BOLT,SPECIAL,SQ,HD,7/16-14,LEFT HAND,T	1
42	631-38628	RETAINER,WEIGHT,T-PUMP	2
43	631-38195	SPRING,BUMPER,WEIGHT,Q-M-R-U-T-PUMP	2
44	122-1194	BUSHING,REDUCER,HEX,ST,PL,3/8NPTX1/4NPT	1
45	121-1195	TEE,RUN,BRASS,3/8"TBX3/8"TBX3/8"NPTM	1
46	631-39610	TUBING,BREATHER,3/8"x XXX"L,ASSY,T-PUMP	1

## Parts List for Model T

NOTE: The quantity number indicates the total number of pieces required for a complete pump repair.  
When ordering parts give compressor model, serial number and part number. Order assemblies when possible.

<u>REF. NO.</u>	<u>PART NO.</u>	<u>DESCRIPTION</u>	<u>QTY.</u>
47	631-43457	TUBING,BREATHER,3/8 X14-3/4L,ASSY,T-PUMP	1
48	631-37102	GASKET,COVER,END, .003,THK,T-PUMP	1
49	631-37101	GASKET,COVER,END, .006,THK,T-PUMP	1
50	631-37100	GASKET,COVER,END, .015,THK,T-PUMP	1
51	631-38573	GASKET,BASE,CYLINDER,T-PUMP	2
52	120-1082	WASHER,LOCK,SPLIT,STEEL,PLATED,1/2"	12
53	120-1049	SCREW,CAP,HEXHD,GR5,ST,PLTD,1/2-13X1-1/2	10
54	631-17119	CYLINDER,T-PUMP	2
55	631-38908	GASKET,HEAD,CYLINDER,T-PUMP	2
56	631-690	ELBOW,BREATHER CONNCTR,REF: U, 690	2
57	631-38595	HEAD,CYLINDER,T-PUMP	2
58	631-38053	STUD,CRANKCASE,ST,BLK,1/2-13X2"LONG	2
59	631-45211	BEARING,PIN,WRIST,CONNECTING ROD,T-PUMP	4
60	631-37007	PIN,ROLL,Q-M-R-U PUMP	4
61	631-38896	PIN,WRIST,LP,T-PUMP	2
62	631-39145	RING,OIL,LP,T-PUMP	2
63	631-37116	RING,COMPRESSION,PISTON,LP,T-PUMP	4
64	631-39111	PISTON,LP,T-PUMP	2
65	631-38909	ROD,CONNECTING,T-PUMP	4
66	631-37130	BEARING,INSERT,CONNECTING ROD,T-PUMP	8
67	631-30298	SCREW,CAP,HEXHD,GR5,ST,BLK,X-X	8
68	631-39110	PISTON,HP,T-PUMP	2
69	631-37114	RING,COMPRESSION,PISTON,HP,T-PUMP	2

## Parts List for Model T

NOTE: The quantity number indicates the total number of pieces required for a complete pump repair.  
When ordering parts give compressor model, serial number and part number. Order assemblies when possible.

<u>REF. NO.</u>	<u>PART NO.</u>	<u>DESCRIPTION</u>	<u>QTY.</u>
70	631-38895	PIN,WRIST,HP,T-PUMP	2
71	631-39267	CLAMP,AFTERCOOLER,PUMP,T	1
72	120-1002	SCREW,CAP,HEXHD,GR5,ST,BLK,1/4-20X5/8	1
73	120-1069	WASHER,LOCK,SPLIT,STEEL,PLATED,1/4"	1
74	120-1113	NUT,HEX,STEEL,PLATED,1/4-20	1
75	631-38598	ASSY,INTERCOOLER,T-PUMP	2
77	631-38602	GASKET,FLANGE,COOLER,T-PUMP	7
78	120-1017	SCREW,CAP,HEXHD,GR5,ST,BLK,5/16-18X3/4	24
79	631-38920	ASSY,AFTERCOOLER,T-PUMP	1
80	122279	SCREW,CAP,HEX HD,GR5,ST,PL,7/16-14X1-1/2	4
81	121-1194	CONNECTOR,MALE,COMPRESSION,BR,5/16TBX1/8	1
82	631-38609	GASKET,SEAT,LP,T-PUMP	4
83	631-1011	ASSY,VALVE,DISCH,LP,W/GSKT,T-PUMP	2
84	631-38610	RING,DOWN,HOLD,LP,T-PUMP	4
85	631-39203	SCREW,5/16-18 X 1-1/2 LONG,T-PUMP	4
86	631-1010	ASSY,VALVE,INLET,LP,W/GSKT,T-PUMP	2
87	120-1295	SCREW,CAP,HEXHD,GR5,ST,PLTD,7/16-14X4	24
88	631-45158	GASKET,GUIDE,PLUNGER,T-PUMP	4
89	631-45153	GUIDE,PLUNGER,T-PUMP	4
90	631-45163	ASSY,CUP & PLUNGER,T-PUMP	4
91	120-1009	SCREW,CAP,HEXHD,GR5,ST,PLTD,1/4-20X1-1/4	24
92	120-1002	SCREW,CAP,HEXHD,GR5,ST,BLK,1/4-20X5/8	12

## Parts List for Model T

NOTE: The quantity number indicates the total number of pieces required for a complete pump repair.  
When ordering parts give compressor model, serial number and part number. Order assemblies when possible.

<u>REF. NO.</u>	<u>PART NO.</u>	<u>DESCRIPTION</u>	<u>QTY.</u>
93	160-1058	FILTER,INTAKE,AIR,1-1/2"NPTM,FA15	2
94	631-45422	TUBING,COPPER,W/SLV&NUTS,1/4"X20-1/2"LG	1
95	121-1124	TEE,COMPRESSION,BRASS,1/4TBX1/4TBX1/4TB	1
96	631-45446	TUBING,COPPER,W/SLV&NUTS,1/4"X23"LG	1
97	121-1037	ELBOW,FEMALE,COMPRESSION,BR,1/4TBX1/8"N	2
98	631-45428	TUBING,COPPER,W/SLV&NUTS,1/4"X???"LG	2
99	631-45157	COVER,UNLOADER	4
100	631-48778	INLET UNLOADER GSKT REF: T, 48778	4
101	631-8603	INTERCOOLER SAFETY VALVE R:UT	2
102	631-15362	ELBOW,MALE,BRASS,VALVE,INLET,PUMP,U	2
103	120-1045	SCREW,CAP,HEXHD,GR5,ST,PLD,7/16-20X1-1/2	4
104	631-45159	HEAD,CYLINDER,T-PUMP	2
105	631-39254	SCREW,5/16-18 X 1-3/4 LONG,T-PUMP	4
106	631-45156	PISTON,UNLOADER,INTAKE	2
107	631-45164	FINGER,PISTON,LP,T-PUMP	2
108	631-45166	RING,RETAINER,PISTON,T-PUMP	2
109	631-45161	SPRING,PLUNGER,VALVE,T-PUMP	4
110	631-38610	RING,DOWN,HOLD,LP,T-PUMP	4
111	631-39203	SCREW,5/16-18 X 1-1/2 LONG,T-PUMP	4
112	631-1013	ASSY,VALVE,DISCH,HP,W/GSKT,T-PUMP	2
113	631-38621	GASKET,SEAT,HP,T-PUMP	4
114	631-1012	ASSY,VALVE,INLET,HP,W/GSKT,T-PUMP	2
115	631-39255	SCREW,1/4-20 X 1-3/4 LONG,T-PUMP	4

## Parts List for Model T

NOTE: The quantity number indicates the total number of pieces required for a complete pump repair.  
When ordering parts give compressor model, serial number and part number. Order assemblies when possible.

<b><u>REF. NO.</u></b>	<b><u>PART NO.</u></b>	<b><u>DESCRIPTION</u></b>	<b><u>QTY.</u></b>
116	631-38596	GASKET,PLATE,HEAD,CYLINDER,T-PUMP	2
117	141-1010	VALVE,SAFETY,ASME,1/4",250 PSI	1
118	631-45156	PISTON,UNLOADER,INTAKE	1
119	160-1058	FILTER,INTAKE,AIR,1-1/2"NPTM,FA15	2
120	631-79451	GSKT SET W/ OIL SEAL REF: T	1
121	631-39338	SET,RINGS,PISTON,T-PUMP	2
122	631-47609	SET,SPRING & VALVE,T-PUMP	2
123	631-79564	VALVE OVERHAUL KIT MODEL T, 79564	1
124	631-79563	LWR END OVERHAUL KIT MODEL T	1