

TA116A/22-9(CE)

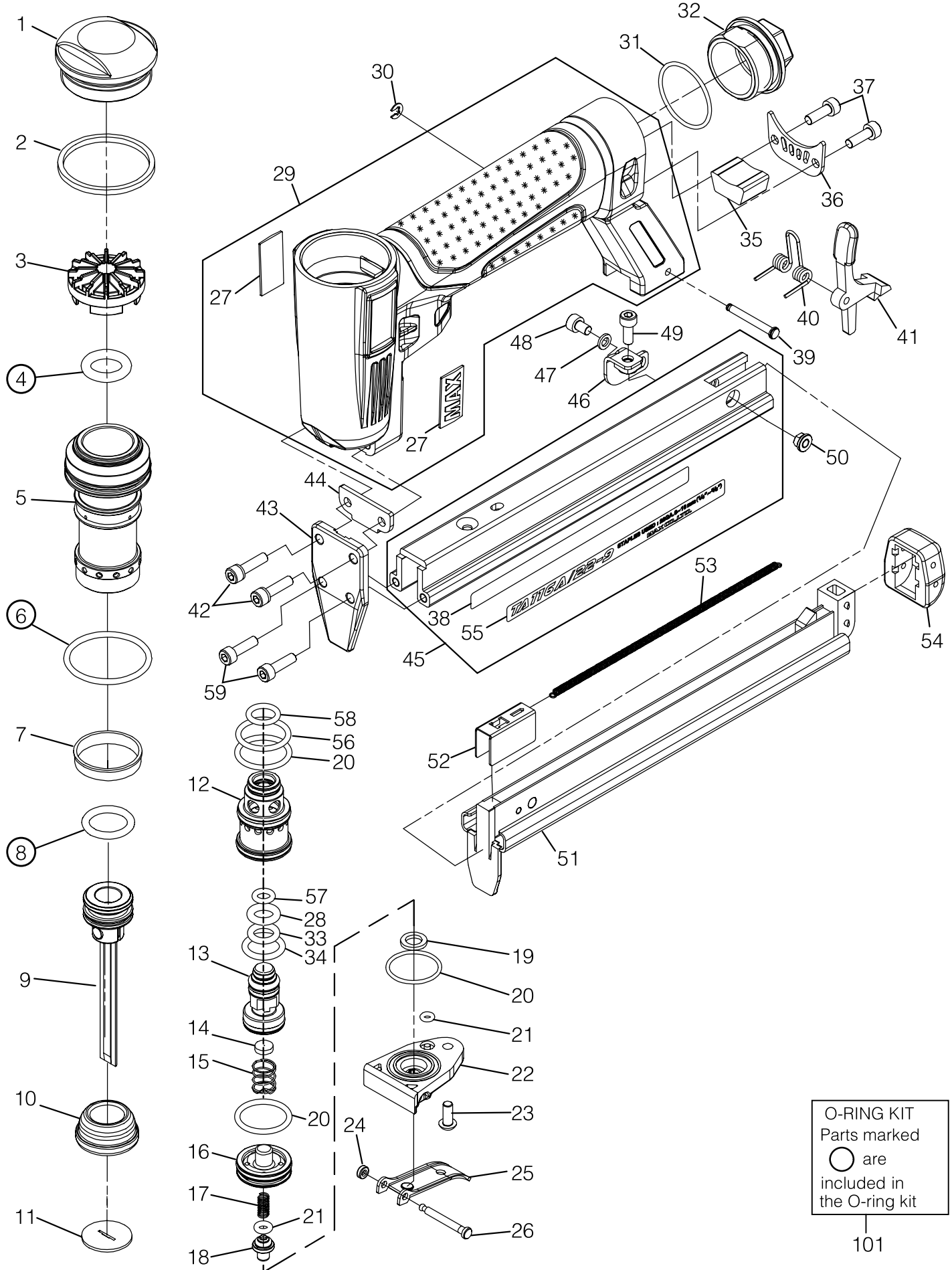
EXPLODED
VIEW AND SPARE
PARTS LIST

EINZELTEILDAR-
STELLUNG UND
ERSATZEILLISTE

SCHEMA ECLATE ET
LISTE DES PIÉCES
DE RECHANGE

ESPLOSO DEI
COMPONENTI DE
ELENCO DELLE
PARTI DI RICAMBIO

DESPIECE DE LA
MAQUINA Y LISTA
DE RECAMBIOS



O-RING KIT
Parts marked
○ are
included in
the O-ring kit

Tool Model	Part NO	Part Code	Description
TA116A/22-9	1	TA18896	CYLINDER CAP
TA116A/22-9	2	TA18897	CYLINDER CAP SEAL
TA116A/22-9	3	TA18908	CYLINDER WASHER
TA116A/22-9	4	TA18909	O-RING 8909
TA116A/22-9	5	TA18898	CYLINDER
TA116A/22-9	6	TA18899	O-RING 8899
TA116A/22-9	7	TA18900	CHECK VALVE
TA116A/22-9	8	TA18901	O-RING 8901
TA116A/22-9	9	TA19914	DRIVER UNIT
TA116A/22-9	10	TA19913	BUMPER
TA116A/22-9	11	TA18907	NOZZLE
TA116A/22-9	12	TA18911	TRIGGER VALVE HOUSING
TA116A/22-9	13	TA18914	MAIN VALVE
TA116A/22-9	14	TA18916	PILOT VALVE BUMPER
TA116A/22-9	15	TA18917	COMPRESSION SPRING8917
TA116A/22-9	16	TA18918	TRIGGER VALVE CAP
TA116A/22-9	17	TA18919	COMPRESSION SPRING8919
TA116A/22-9	18	TA18921	TRIGGER VALVE STEM
TA116A/22-9	19	TA18922	TRIGGER VALVE STEM SEAL
TA116A/22-9	20	TA18912	O-RING 8912
TA116A/22-9	21	TA18920	O-RING 8920
TA116A/22-9	22	TA18923	TRIGGER HOUSING
TA116A/22-9	23	TA18924	HALF ROUND HD.HEX.SCRE
TA116A/22-9	24	TA18927	RUBBER WASHER
TA116A/22-9	25	TA18926	TRIGGER
TA116A/22-9	26	TA18925	STEP PIN 8925
TA116A/22-9	27	TA18930	NAME PLATE
TA116A/22-9	28	TA18966	O-RING 8966
TA116A/22-9	29	TA70315	FRAME UNIT
TA116A/22-9	30	TA18953	E-RING
TA116A/22-9	31	TA18931	O-RING 8931
TA116A/22-9	32	TA18932	END CAP
TA116A/22-9	33	TA18967	O-RING 8967
TA116A/22-9	34	TA18915	O-RING 8915
TA116A/22-9	35	TA18936	EXHAUST FILTER
TA116A/22-9	36	TA18934	EXHAUST COVER
TA116A/22-9	37	TA18935	HEX.SOC.HD.CAP SCREW
TA116A/22-9	38	TA18956	WARNING LABEL
TA116A/22-9	39	TA18952	STEP PIN 8952
TA116A/22-9	40	TA18950	TORSION SPRING
TA116A/22-9	41	TA18951	CLICK LEVER
TA116A/22-9	42	TA18937	HEX.SOC.HD.CAP SCREW
TA116A/22-9	43	TA18939	DRIVER GUIDE
TA116A/22-9	44	TA18940	WARE PLATE
TA116A/22-9	45	TA81351	MAGAZINE ASSY (AFTER)
TA116A/22-9	46	TA18943	TAIL HANGER
TA116A/22-9	47	TA18945	WASHER
TA116A/22-9	48	TA18944	HEX.SOC.HD.CAP SCREW
TA116A/22-9	49	TA18946	HEX.SOC.HD.CAP SCREW
TA116A/22-9	50	TA18942	SPECIAL NUT
TA116A/22-9	51	TA18948	SLIDER UNIT

Tool Model	Part NO	Part Code	Description
TA116A/22-9	52	TA18947	PUSHER
TA116A/22-9	53	TA18954	EXTENSION SPRING
TA116A/22-9	54	TA18949	TAIL COVER
TA116A/22-9	55	TA19924	NAME LABEL(CE&USA)
TA116A/22-9	56	TA18910	O-RING 8910
TA116A/22-9	57	TA18913	O-RING 8913
TA116A/22-9	58	TA18965	O-RING 8965
TA116A/22-9	59	TA18938	HEX.SOC.HD.CAP SCREW
TA116A/22-9	101	TA81248	O-RING KIT