



BOSCH

Drill

TBM 1000 | 3 601 A3F 080

Table of Content

Spare parts list.....	2
Illustration - Type.....	3

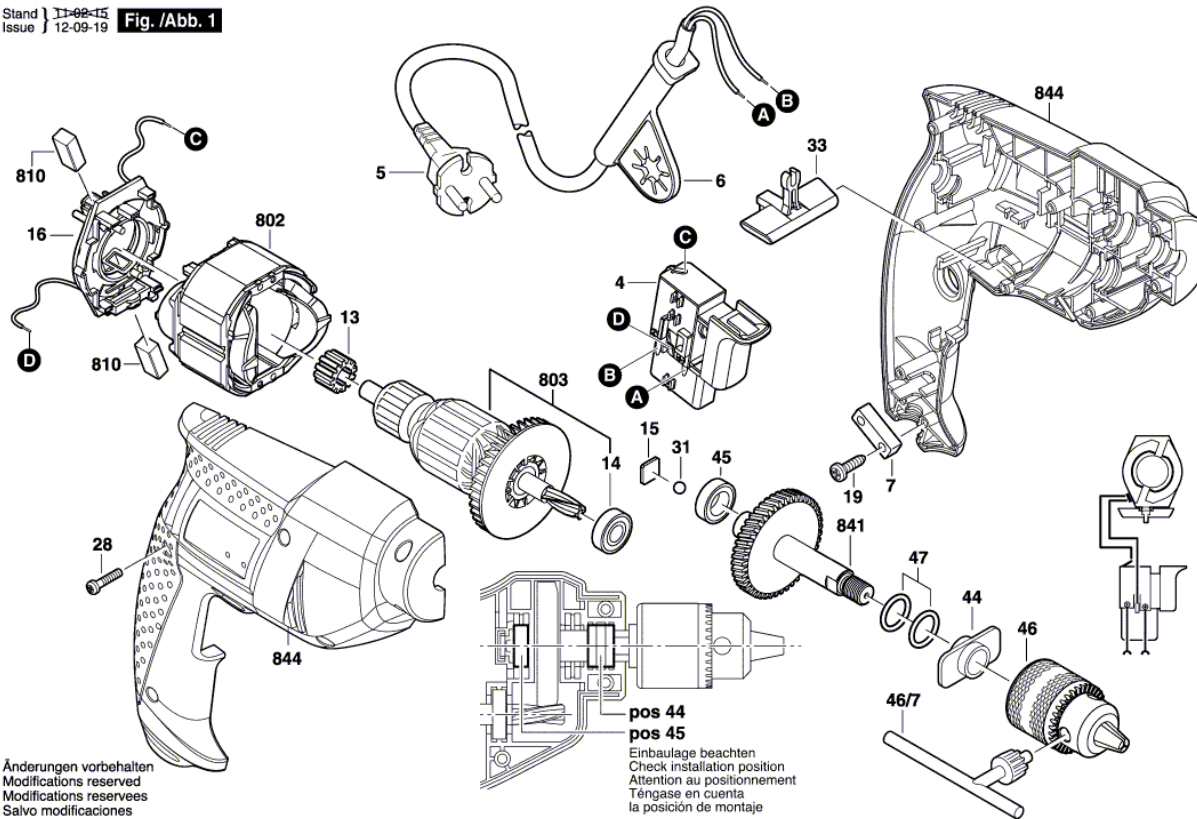
Spare parts list

Item	Part Number	Description
4	2 607 200 623	Switch
5	1 604 460 274	Power supply cord CN 220V 2,15m 2 x 1,0mm H05VV-F
6	1 619 P14 639	Grommet Ø 7mm
6	2 600 707 059	Grommet Ø6,9 MM
7	2 601 035 001	Cable Clip
13	2 600 301 068	Sintered-Metal Bushing
14	1 619 P06 024	Ball Bearing
15	2 609 110 019	Pressure Plate
16	1 619 P09 559	Brush Holder
19	1 619 P00 228	Screw
28	1 619 P00 219	Tapping Screw
31	1 903 230 009	Ball DIN 5401-5 G28
33	1 619 P20 250	Adjusting Slide
44	1 619 P00 478	Bushing
45	1 619 X07 256	Ball Bearing
46	1 608 571 079	Chuck Ø1,0-10 MM, 3/8"
46/7	2 607 950 007	Chuck Wrench SG2
47	1 619 P00 229	Plain Washer
802	1 619 P09 437	Field 220-240V
803	1 619 P09 438	Armature set 220-240V
810	1 619 P09 560	Carbon-Brush Set
841	1 619 P00 079	Drilling Spindle
844	1 619 P09 439	Housing Set

Illustration - Type - E

3 601 A3F 080

Stand | 11-08-15
Issue | 12-09-19 **Fig./Abb. 1**



Änderungen vorbehalten
Modifications reserved
Modificaciones reserves
Salvo modificaciones

pos 44
pos 45
Einbaulage beachten
Check installation position
Attention au positionnement
Téngase en cuenta
la posición de montaje