



BOSCH

Drill

TBM 3500 | 3 601 AA9 083

Table of Content

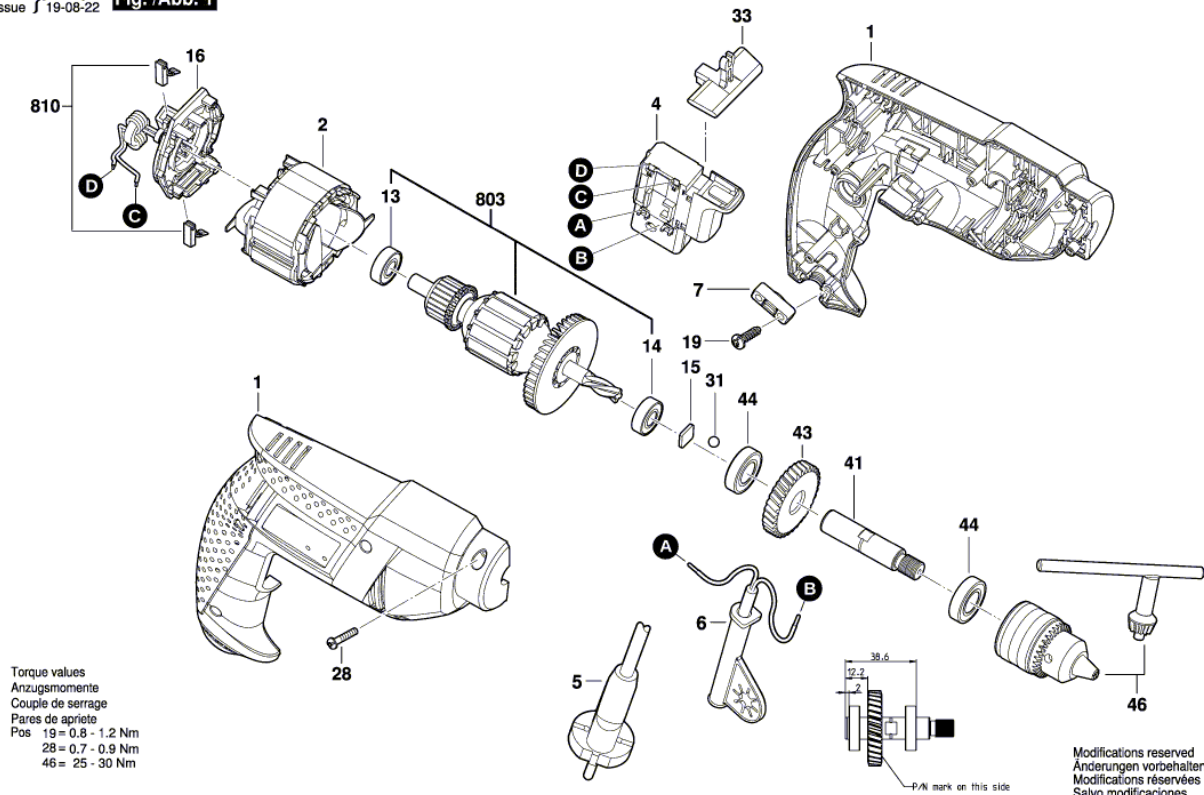
Spare parts list.....	2
Illustration - Type.....	3

Spare parts list

Item	Part Number	Description
1	1 619 P20 251	Housing Section
2	1 619 P20 885	Field
4	2 607 200 623	Switch
5	1 604 460 274	Power supply cord CN 220V 2,15m 2 x 1,0mm H05VV-F
6	2 600 707 059	Grommet Ø6,9 MM
7	2 601 035 001	Cable Clip
13	1 619 P06 024	Ball Bearing
15	2 609 110 019	Pressure Plate
16	1 619 P20 066	Brush Holder
19	1 619 P00 228	Screw
28	1 619 P00 219	Tapping Screw
31	1 903 230 009	Ball DIN 5401-5 G28
33	1 619 P20 250	Adjusting Slide
41	1 619 P10 887	Drilling Spindle
43	1 619 P10 888	Cylindrical Gear
44	1 619 X07 256	Ball Bearing
46	1 608 571 079	Chuck Ø1,0-10 MM, 3/8"
803	1 619 P20 267	Armature set
810	1 619 P20 086	Carbon-Brush Set

Illustration - Type - E

3 601 AA9 080
 Stand } 15-83
 Issue } 19-08-22 **Fig. /Abb. 1**



Torque values
 Anzugsmomente
 Couple de serrage
 Paires de apriete
 Pos 19 = 0.8 - 1.2 Nm
 28 = 0.7 - 0.9 Nm
 46 = 25 - 30 Nm

Modifications reserved
 Änderungen vorbehalten
 Modifications réservées
 Salvo modificaciones