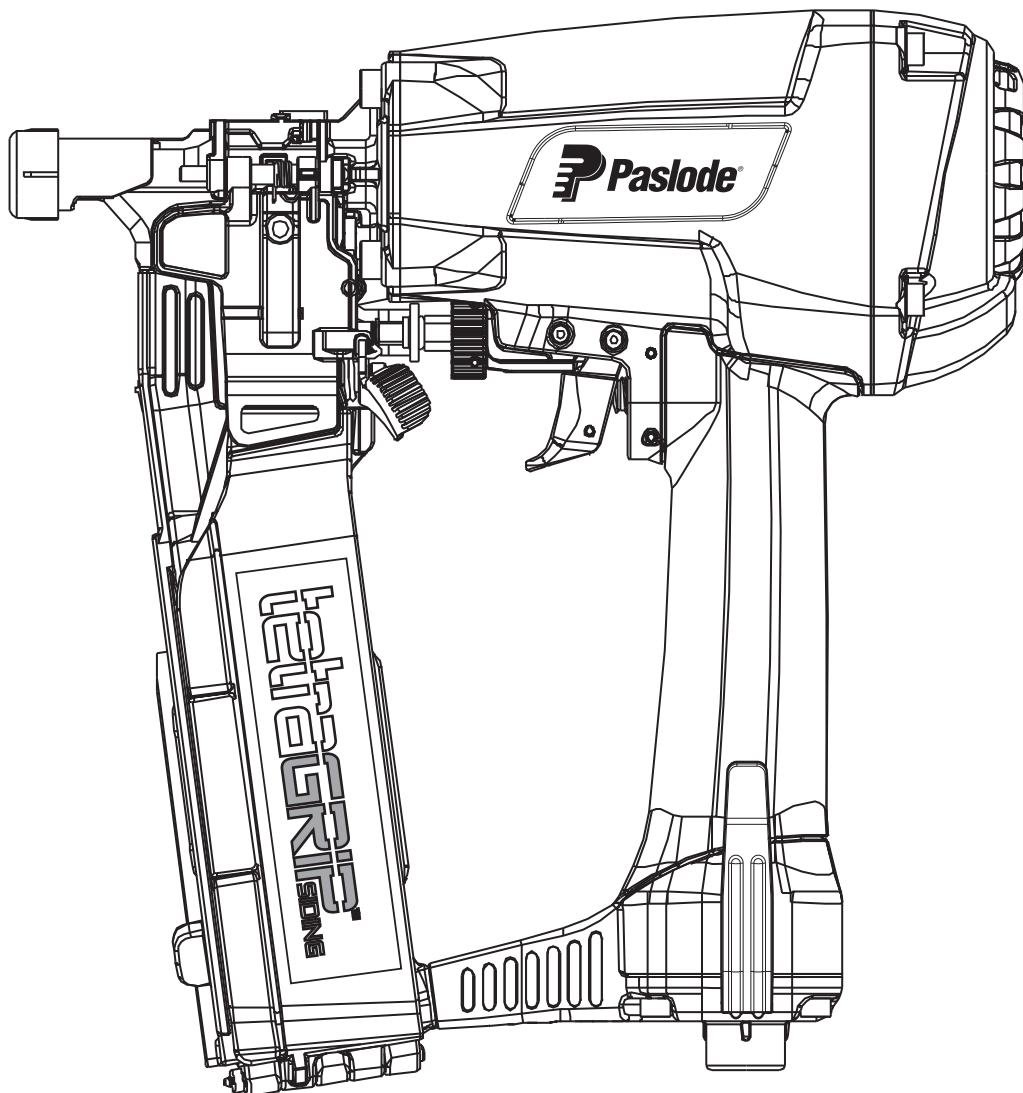


tetragrip™ SIDING 0° Coil Siding Nailer MODEL tG100CSN



IMPORTANT!

DO NOT DESTROY

It is the customer's responsibility to have all operators and service personnel read and understand this manual.

OPERATING MANUAL AND SCHEMATIC

INTRODUCTION

The Paslode® tetraGRIP™ 0° coil siding nailer is a quality-built tool designed for use in residential siding, exclusively with James Hardie Fiber Cement Siding products. This tool will deliver efficient, dependable performance when used according to the manufacturer's guide lines. Please study this manual, including the safety instructions, to fully understand the operation of this tool.

TOOL AND FASTENER SPECIFICATIONS	3
SAFETY INSTRUCTIONS	4
TOOL INSTALLATION AND OPERATION	5-6
AIR SYSTEMS	7-8
FEATURES AND BENEFITS	9
EXPLODED VIEW AND SPARE PARTS LIST	10-11
MAINTENANCE	12-13
TROUBLESHOOTING	14
WARRANTY	15
ACCESSORIES	16

TOOL AND FASTENER SPECIFICATIONS

TOOL SPECIFICATIONS

MODEL NO.	tG100SCN (Part# 515400)
HEIGHT	11.5"
WIDTH	6"
LENGTH	12.25"
WEIGHT	4.9 lbs.
OPERATING PRESSURE	80 to 120 psi (5.5 to 8.3 bar)
MAGAZINE TYPE	0 Degree, Plastic Coil

FASTENER SPECIFICATIONS

NAIL LENGTH	1.125"
SHANK DIAMETER	.117 Shank
NAIL COATINGS	Stainless Steel , tetraGRIP™

TOOL AIR FITTINGS:

This tool uses a 3/8" N.P.T. male plug. The fitting **must** be capable of discharging tool air pressure when disconnected from the air supply.

OPERATING AIR PRESSURE:

80 to 120 psi (5.5 to 8.3 bar). Select the operating air pressure within this range for best tool performance.

DO NOT EXCEED THIS RECOMMENDED OPERATING PRESSURE.

SAFETY INSTRUCTIONS

SAFETY FIRST

These safety instructions provide information necessary for safe operation of Paslode® tools. **DO NOT ATTEMPT TO OPERATE THE TOOL UNTIL YOU READ AND UNDERSTAND ALL SAFETY PRECAUTIONS AND MANUAL INSTRUCTIONS.**



WEAR EYE AND HEARING PROTECTION

Always wear hearing and eye protection devices, that conform to ANSI Z87.1 requirements, when operating or working in the vicinity of a tool. As an employer you are responsible for enforcing the use of eye protection. Wear hard hats in environments that require their use.

THE TOOL MUST BE USED ONLY FOR THE PURPOSE FOR WHICH IT WAS DESIGNED

Do not throw the tool on the floor, strike the housing in any way or use the tool as a hammer to knock material into place.

NEVER ENGAGE IN HORSEPLAY WITH THE TOOL

The tool is not a toy so do not use it like one. Never engage in horseplay with the tool or point it at yourself or any other person, even if you think it is not loaded.

NEVER ASSUME THE TOOL IS EMPTY

Check the magazine for fasteners that may be left in the tool. Even if you think the tool is empty or disconnected, never point it at anyone or yourself. Unseen fasteners could fire from the tool.

NEVER CLAMP THE TRIGGER IN A LOCKED OR OPERATING POSITION

The trigger of the tool must never be tampered with, disabled or clamped in a locked or operating position since this will cause the tool to drive a fastener any time the work contacting element depressed.

DO NOT LOAD FASTENERS WITH THE AIR LINE CONNECTED, OR WITH THE TOOL TRIGGER OR WORK CONTACTING ELEMENT DEPRESSED

When loading fasteners into the tool be sure you disconnect the air line and that you do not depress the trigger or work contacting element.



OPERATE THE TOOL ONLY ON A WORKPIECE

The tool should be operated only when it is in contact with the workpiece. Even then you should be careful when fastening thin material or working near the edges and corners of the workpiece since the fasteners may drive through or away from the workpiece.

DO NOT DISABLE OR REMOVE THE WORK CONTACTING ELEMENT

This tool is equipped with a safety mechanism, called a work contacting element, to help prevent accidental firing. Never tamper with, disable or remove the work contacting element. Do not use the tool unless the work contacting element is working properly. The tool could fire unexpectedly.



CARRY THE TOOL ONLY BY THE HANDLE

Always carry the tool by the handle only. Never carry the tool by the air hose or with the trigger depressed since you could drive a fastener unintentionally and injure yourself or someone else.

DO NOT WEAKEN THE TOOL HOUSING

The tool housing is a pressure vessel and should never be weakened by having your company's name, area of work or anything else stamped or engraved into its surface.

DISCONNECT THE TOOL WHEN PERFORMING REPAIRS AND CLEARING JAMS

Never attempt to clear a jam or repair a tool unless you have disconnected the tool from the air line and removed all remaining fasteners from the tool.

ALWAYS USE THE PROPER FITTING FOR THE TOOL

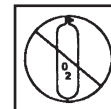
Only MALE pneumatic type air connectors should be fitted to the tool, so that high pressure air in the tool is vented to atmosphere as soon as the air line is disconnected.

NEVER install FEMALE quick disconnect couplings on the tool. Female couplings will trap high pressure air in the tool when the air line is disconnected, leaving the tool charged and able to drive at least one fastener.



DO NOT EXCEED THE MAXIMUM RECOMMENDED AIR PRESSURE

Operate the tool only at the recommended air pressure. Do not exceed the maximum air pressure marked on the tool. Be sure the air pressure gauge is operating properly and check it at least twice a day.



Never use any bottled air or gases such as oxygen to operate the tool since they could cause the tool to explode. Do not operate in explosive atmospheres such as in the presents of flammable liquids, gases, or combustible dust.

INSPECT TOOL FOR PROPER OPERATION

Clean the tool at least daily and lubricate as required. Never operate a dirty or malfunctioning tool.



USE ONLY PASLODE® RECOMMENDED PARTS AND FASTENERS

Use only parts and fasteners specifically designed and recommended by Paslode® for use in the tool and for work to be done. Using unauthorized parts and fasteners or modifying the tool in any way creates dangerous situations. Replace all missing warning labels---refer to tool schematic for correct placement and part Number.

⚠ WARNING

Failure to follow any of the above instructions could result in severe personal injury to tool user and bystanders or cause damage to tool and property.

TOOL INSTALLATION

 <b style="font-size: 1.2em;">DANGER 
Air pressure at the tool must never exceed 120 psi.

Your Paslode® tool comes ready for immediate use and can be installed by following these steps:

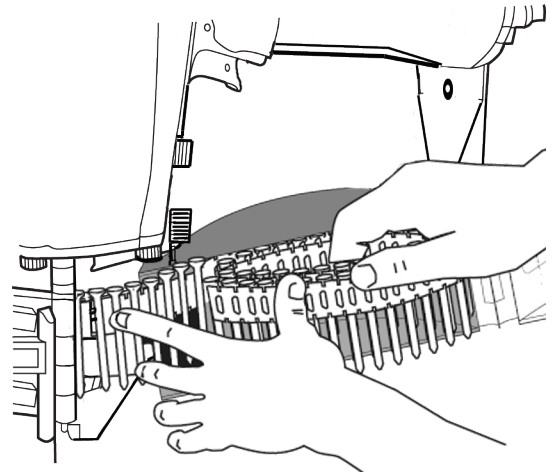
1. **SAFETY** - All tool operators and their immediate supervisors must become familiar with the operator safety instructions before operating the tool. The instructions are on page 4 of this manual.
2. Included with each tool is a copy of the operation manual and schematic. Keep this publication for future reference. An ownership registration card is also included. This card must be completed and returned to Paslode® immediately to register your ownership.
3. The plastic cap in the air inlet of the tool must be removed before the male fitting is installed. The fitting must be a male pneumatic type that discharges the air from the tool when the air line is disconnected.
4. Install a filter/regulator/lubricator unit, with a gauge as close as practical to the tool, preferably within ten feet. Refer to the Air Systems section of this manual for air hose requirements and lengths. In general, no other special installation is required.
5. If the operator is working at a bench or table, it is usually best to run the air line underneath the bench. A small tray under the benchtop can hold the fastener supply and the tool when not in use.
6. If this tool does not work when it is first connected, do not try to make repairs. Call your Paslode® representative immediately.

TOOL OPERATION

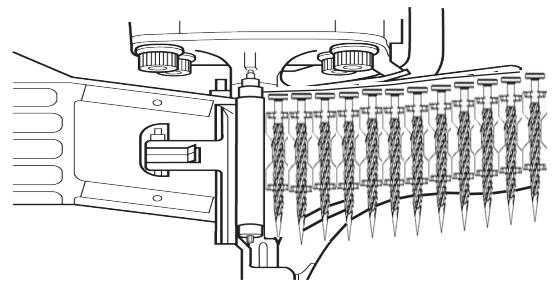
Loading of Nails

Step No. 1- Grasp the nailer handle firmly with one hand and with the other hand depress the door latch. Swing the magazine and door open.

Step No. 2- Remove the retaining tape from the nail coil and place the nail coil in the magazine with the tips of the nails against the loading tray and about 4 inches of coil unwound.



Step No. 3- Slide the free strip of nails along the top of the feeder body assembly and feed the nails over the feed pawls until the first nail is in the nose raceway.



Step No. 4- Close the magazine cover and then the gate making sure the gate is latched securely.

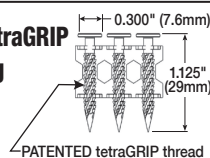
Paslode

tetraGRIP™
SIDING

TG100CSN
Coil Siding Nailer

Paslode, 155 Harlem Ave., Glenview, IL 60025

**Use Paslode tetraGRIP
Studless Siding
Nails only
#650867**



⚠ WARNING ⚠

1. Read and understand tool labels and manual. Failure to follow warnings could result in DEATH or SERIOUS INJURY.
2. Operators and others in work area MUST wear safety glasses with side shields.
3. Keep fingers AWAY from the trigger when not driving fasteners to avoid accidental firing.
4. Know and understand what trigger system you are using. Check manual for triggering options.
5. Never point tool at yourself or others in work area.
6. Never use oxygen or other bottled gases. Explosion may occur.



TOOL OPERATION - continued

Note:

Follow the siding manufacturer's instructions when installing the nails. Always use the nail size specified by the siding manufacturer and/or the local building codes.



WARNING



Use only fasteners that meet Paslode® specifications.

Use of fasteners that do not meet Paslode® specifications can result in damage to the tool or injury to the operator or bystanders.

Driving of Nails

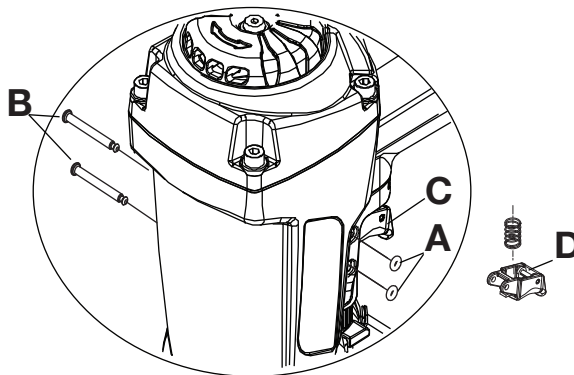
Sequential Operation - (Gray Trigger)

The sequential operating kit prevents successive or "bounce" driving.

- Depress the work contacting element and hold it against the work surface before pulling the trigger.
- After each fastener is driven, completely release the trigger and lift the tool from the work surface.

CHANGING THE TRIGGER

1. Disconnect the tool from air source.
2. Remove trigger step pin rubber retaining rings (A).
3. Remove trigger step pins (B).
4. Remove sequential trigger assembly C (Gray) and spring.
5. Install Trip trigger D (Orange) with spring and align hole and reinsert trigger step pins.
6. Reinstall rubber retaining rings and check for correct operation.



Successive (Bounce) Driving - (Orange Trigger)

- Grasp the handle firmly.
- Squeeze the trigger and move the tool along the workpiece with a bouncing motion, depressing the work contacting element at the points where you want to insert a fastener.
- Keep the trigger depressed and continue to bounce the work contacting element against the workpiece, positioning the tool above as carefully as possible.
- When the desired number of fasteners have been driven, release the tool trigger to avoid unintentional fastener discharge.



WARNING



Do not clamp or hold trigger with anything other than your hand.

Precision Placement Driving - (Orange Trigger)

- Grasp the tool handle firmly and hold the bottom of the work contacting element firmly against the workpiece until it is completely depressed.
- Squeeze the trigger to drive the fastener.
- Lift the tool from the workpiece.
- Repeat the procedure for the next fastener.

DUAL MODE TRIGGER ACTUATION SYSTEM

FOR SINGLE SEQUENTIAL
ACTUATION USE GREY TRIGGER.

FOR CONTACT ACTUATION
USE ORANGE TRIGGER.

IN THIS MODE THE TOOL WILL ONLY CYCLE
WHEN THE SAFETY YOKE IS DEPRESSED
FOLLOWED BY TRIGGER ACTUATION.
THE TOOL WILL CONTINUE TO CYCLE BY REPEATED
TRIGGER ACTUATION PROVIDED THE SAFETY YOKE
REMAINS DEPRESSED.

IN THIS MODE THE TOOL WILL
CYCLE BY DEPRESSING THE
SAFETY YOKE AND THE TRIGGER.
NO SEQUENCE IS NECESSARY.

USE ONLY AFTER RECEIVING INSTRUCTIONS ON SAFE OPERATION.

AIR SYSTEMS

For air-powered tools to work their best, the air supply system must be properly installed and maintained regularly. A drawing in this section shows a properly installed air supply system. Handy checklists for installing and maintaining air supply systems follow.

Indoor Air System Installation

-Be certain that:

- All pipes supplying air have a large enough inside diameter to ensure adequate air supply.
- The main supply pipe slopes down, away from the compressor (1/16 inch per foot).
- Air storage is provided along lengthy air lines.
- Pipe line branch outlets are at the top of the main pipe line.
- Cutoff valves are provided at each branch pipe line throughout the system.
- Water legs extend from the bottom of each branch line.
- A refrigerant-type dryer is installed on the system.
- Air hoses are kept as short as practical.
- A regular maintenance program is followed.

Outdoor Air System Installation

-Be certain that:

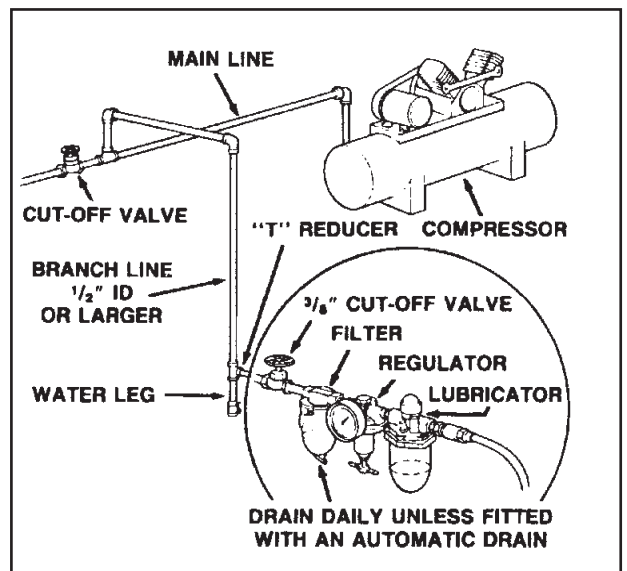
- A moisture trap and a filter/regulator/lubricator are installed at the compressor.
- Air hoses and fittings are large enough so that air flow is not restricted. Minimum hose size is 3/8 inch ID with 1/2 inch ID hose used for any application over 25 feet.

- Air hoses are not longer than 150 feet.
- The air system is lubricated regularly.
- A regular maintenance program is followed.

Filter/Regulator/Lubricator Units

Filter/regulator/lubricator units that can supply enough air and protection for Paslode® tools must meet the following specifications:

- Minimum 3/8 inch NPT port size .
- 50 micron or fine filters.
- Regulated pressure from zero to 120 psi.
- Lubricators designed for low or changing airflow.



AIR SYSTEMS - Continued

Calculating Compressor Size

Use the air consumption chart in the tool schematic for each tool when calculating the operating requirements for the tools. Paslode® tools are designed to operate efficiently between 80 and 120 psi and should never be operated at pressure greater than 120 psi.

The air consumption chart will help you find the correct compressor size for your application that will quickly replenish tool air pressure.

To use the chart you will need to know how many tools will be used and approximately how many fasteners will be driven each minute by each tool on the line.

Using the equation:

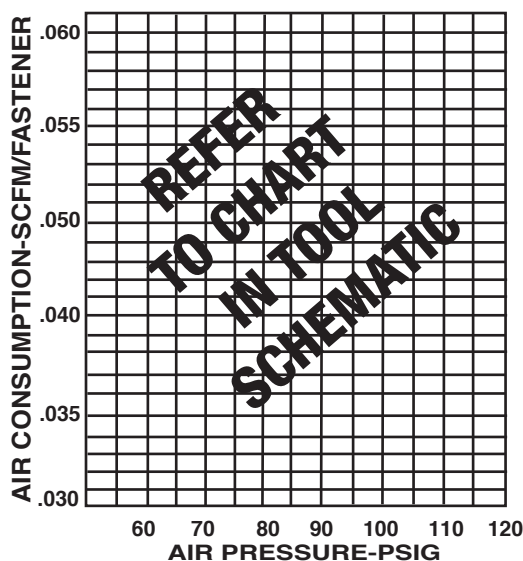
Number of tools X average fasteners/minute/tool X 1.2 (safety factor) X air consumption (scfm) @ pressure* (psi) = scfm required.

We can use the following example:

10 tools X 30 fasteners/minute/tool X 1.2 X 0.051scfm* (@100psi) = 18.36 scfm.

*This number is found in the Air Consumption Chart

In this example, using the air consumption chart we find that a compressor providing at least 19 scfm of air is required. Because in compressors approximately 1 hp is required produce 4 scfm, a compressor of at least 5 hp is required.



Calculated Required Piping

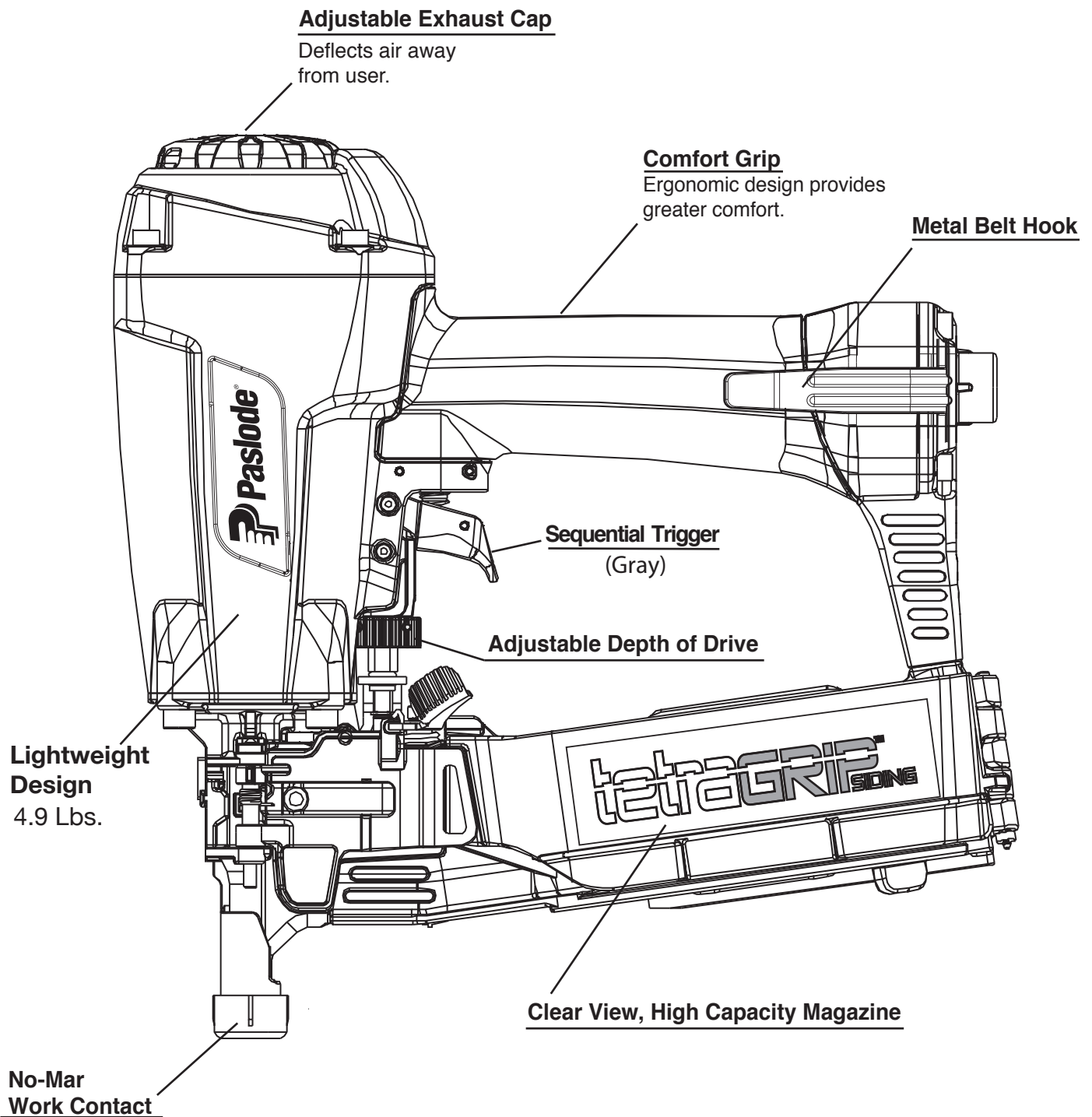
For example, given a 20 hp electric compressor supplying approximately 80 cfm of air at 120 psi and a main supply pipe length of 350 feet, we see by the table the minimum main pipe inside diameter required for this application is 1-1/4 inch.

VOLUME OF AIR (CFM)	LENGTH OF RUN (FT.)				
	50-200	290-500	500-1000	1000-2500	2500-5000
	NOMINAL PIPE DIAMETER (IN.)				
30-60	1	1	1¼	1½	1½
60-100	1	1¼	1¼	2	2
100-200	1¼	1½	2	2¼	2½
200-500	2	2½	3	3½	3½
500-1000	2½	3	3½	4	4½

Pneumatic System Maintenance - Be certain that:

- Pneumatic fittings are tight and do not leak.
- Water legs, filters and air lines are drained daily, and ensure that automatic draining systems are operating correctly.
- Air lines are cleared to prevent freezing, especially in winter.
- Lubricator operation is checked regularly and ensure it has an adequate supply of lubricant. (Part No. 403720)
- The filter element is cleaned every six months.
- Only regulated air is being used and that each regulator is operating properly.

tG100SCN FEATURES AND BENEFITS



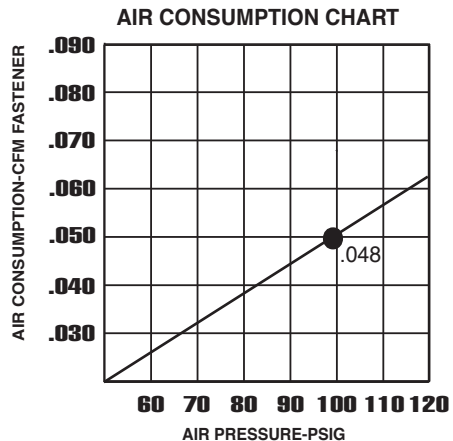
PARTS LEGEND tetraGRIP™ 0° Coil Siding Nailer tG100CSN 515400

1	502996	1	BHCS M5 x 10mm-P30 Precoat	40	515422	1	Indicator
2	502997	1	Flat Washer	41	515423	1	Spring
3	502969	1	Air Deflector	42	515424	1	Pin
4	511065	2	Wave washer, 41 x 52mm	▲ 43	515425	1	Set Screw
5	502998	8	Hex.SOC.HD.Bolt, M5 x 20mm	44	515445	1	Hex.SOC.HD.Bolt, M4 x 10
6	515447	1	Cap Casting	45	515446	1	Lock Washer
7	503236	1	Collar	46	503027	1	Flat Washer, 4.0 x 10mm
8	502971	1	Piston Stop	* 47	515426	1	Stopper
* 9	502972	1	Main Valve Spring	48	515427	1	Torsion Spring
*10	503021	1	O-Ring 36.2 x 2.6mm NBR	* 49	503240	1	O-Ring, 3.7 x 1.8mm, NBR
*11	515402	1	Piston, Head Valve	50	515428	1	Spring, Lever
*12	503218	2	O-Ring 46.0 x 3.5mm NBR	51	515429	1	Lever
*13	503252	1	O-Ring 39.7 x 3.5mm NBR	* 52	503251	1	O-Ring, 9.0 x 2.0mm, MBR
14	502974	1	Sleeve Retainer	53	515430	1	Feed Pawl
*15	502975	1	Gasket, Top Cap	* 54	503207	2	Rolled Pin
*16	515404	1	O-Ring, Piston 37.7 x 3.5mm NBR	55	515431	1	Feed Piston
*17	503220	1	O-Ring 47.3 x 2.6mm NBR	* 56	515432	1	O-Ring, 17.9 x 2.5mm, NBR
*18	502978	1	Sleeve Bulkhead Seal	57	515433	1	Compression Spring
*19	515406	1	O-Ring 72 x 3.0 NBR	58	503210	1	Feed Piston Stop
*20	503246	1	O-Ring 45.7 x 2.6mm NBR	59	503212	1	Spring Collar
*21	502980	2	Pin, Trigger	60	503243	1	C Ring, 24mm
*22	503222	2	O-Ring 1.9 x 1.9mm NBR	61	515434	1	PU Ring
23	503224	1	Roll Pin 3 x 30mm	62	515435	1	Tail Pawl
24	503233	1	Roll Pin 3 x 20mm	63	502989	1	Rubber Washer
25	502981	1	Gasket, End Cap	64	515436	1	Spring
26	515408	1	End Cap	65	515437	1	Door
27	502983	1	Belt Hook	66	515438	1	Stepped Pin
▲ 28	515409	1	S.H.C.S. M5 x 12mm	67	515439	1	Sleeve
29	503235	1	Lock Nut, M5	68	502999	1	Torsion Spring, Door
30	502985	1	Spring, Trigger	69	503203	1	Straight Pin
31	515411	1	Bumper	▲ 70	503241	4	Hex.SOC.HD.Bolt M6 x 20mm
32	515413	1	Hex.SOC.HD.Bolt, M5 x 10mm	71	515440	1	Magazine Assembly
33	515414	1	HEX.SOC.HD.Bolt, M4 x 8mm	** 72	515441	1	Warning Label
34	515415	1	Flat Washer	73	515442	1	Lower Work Contact Element
35	515416	1	Contact Arm Cover	74	515443	2	Rubber No Mar Contact Tip
36	515418	1	Stop Lever	75	515551	1	Label, Magazine
37	515419	1	Stopper, Flat Spring	76	515550	1	Label, Trigger Operation
38	515420	1	Spring, Actuator				
39	515421	1	Actuator				

- * Denotes Normal Wear Items
- ** Make sure Warning Label (Part No.515441) is properly affixed. Replace if necessary.
- ▲ Apply Loctite® 242 (Blue) Part No. 093500
- Denotes New Change

⚠ WARNING

All parts must be periodically inspected and replaced if worn or broken. Failure to do this can affect the tool's operation and present a safety hazard.





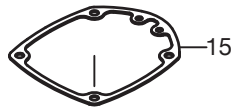
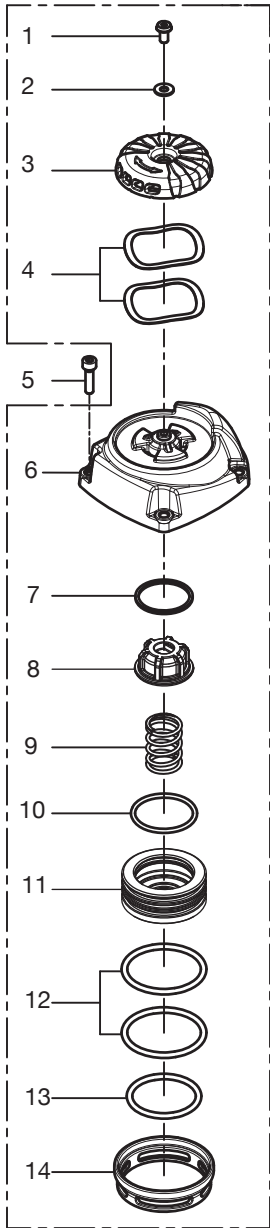
tetraGRIP™

Coil Siding Nailer

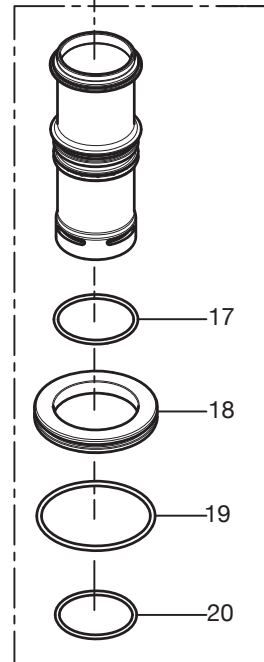
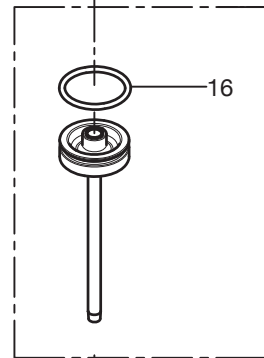
MODEL tG100CSN

Part# 515400

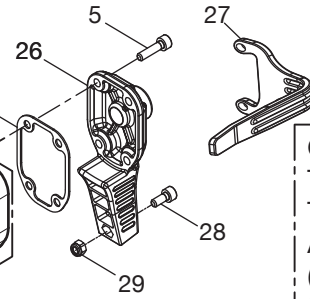
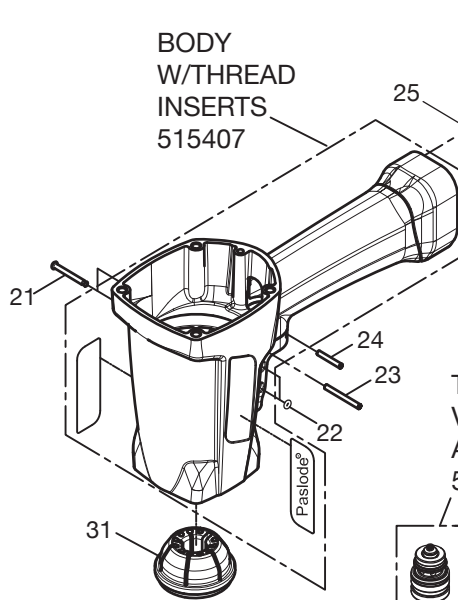
CAP ASSEMBLY
515401



DRIVER
ASSEMBLY
515403



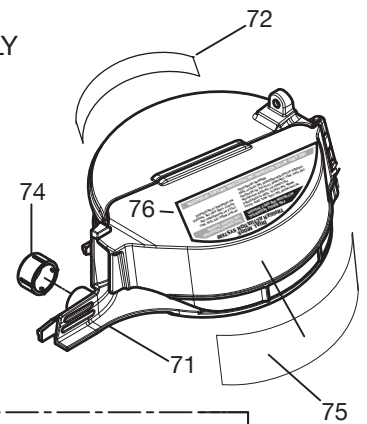
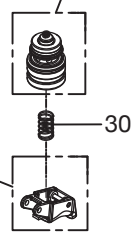
BODY
W/THREAD
INSERTS
515407



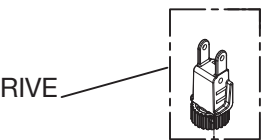
OPTIONAL
TRIP FIRE
TRIGGER
ASSEMBLY
(ORANGE)
502986

SEQUENTIAL
TRIGGER
ASSY.
503055
(GRAY)

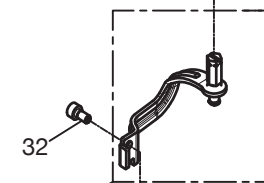
CYLINDER
ASSEMBLY
515405



DEPTH OF DRIVE
ASSEMBLY
502993



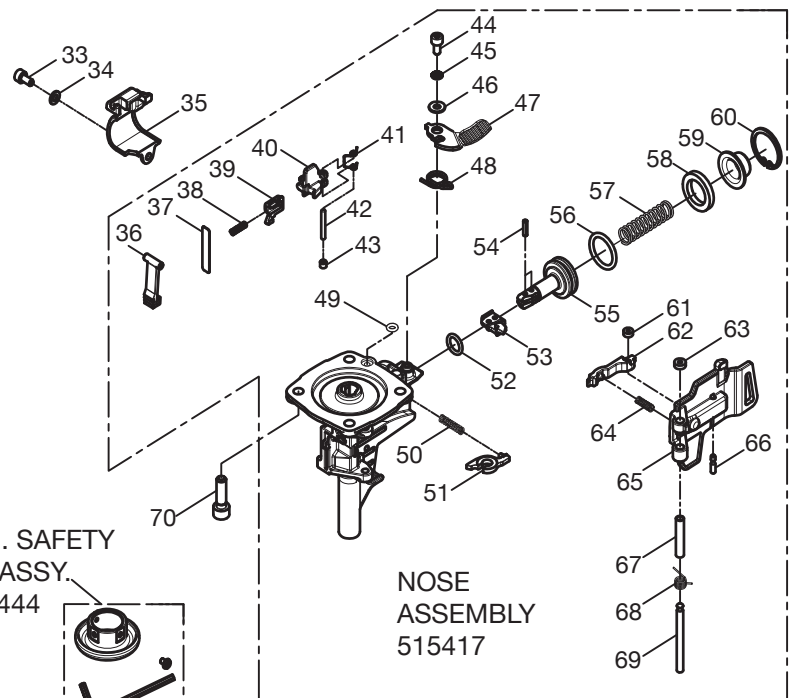
UPPER WORK
CONTACT ASSY.
515412



ADJ. SAFETY
TIP ASSY.
515444



NOSE
ASSEMBLY
515417



MAINTENANCE

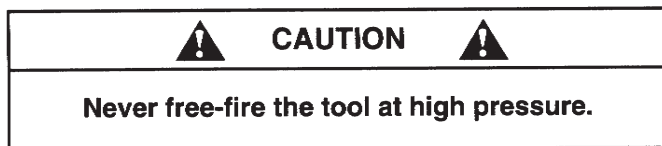
Paslode® tools are built for ease of maintenance. A few simple details will assure trouble-free operation and long tool life. Anyone who uses or maintains the tool must read the safety and maintenance instructions. Study the schematic drawing before starting any repairs on the tool.

Air-operated tools must be inspected periodically, and worn or broken parts must be replaced to keep the tool operating safely and efficiently. Also the items on the maintenance chart must be checked often.

Cold Weather Care

When temperatures are below freezing, tools should be kept warm by any convenient, safe method. If this is not possible, the following procedure should be used to warm up the tools.

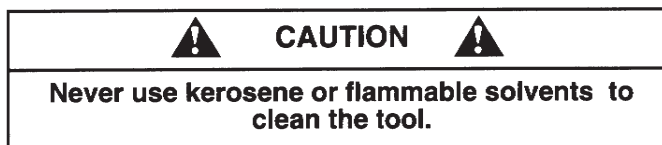
- Reduce the regulated air pressure to 30 psi.
- Remove all fasteners from the tool.
- Collect an air line and blank fire the tool. The reduced air pressure will be enough to free-fire the tool. Slow speed operation tends to warm up the moving parts. Slowing up the piston helps the bumper and the O-rings to become springy.



- Once the tool is warmed up, readjust the regulator to the proper working pressure and reload the tool.
- Tool operators working outdoors or in unheated areas in extremely cold temperatures should also:

Use Paslode pneumatic oil with antifreeze in the lubricator, Part No. 219090 (8oz.)

Once a week, depending on the amount of tool use, take the tool apart and wash away any sludge with tool cleaner (Paslode Part No. 219348) to keep the tool operating efficiently.



Cleaning the air-operated tools with solvents removes the thin coating of grease applied to the cylinder wall and O-rings at the factory. To replace this coating of grease, use Chemplex grease (Paslode Part No. 403734).

- Open the drain on the air compressor tank to drain any moisture at least daily in extremely cold or humid weather. A few ounces of anti-freeze in the tank will keep the air free of frost.

Testing the Tool After Servicing

After replacing any part or parts, it is important to check the tool for proper operation. This ensures that the tool was put together correctly, is safe to use, and will perform the job properly.

- Ensure that all hardware is tight.
- Ensure that the work contacting element is installed correctly in relation to the trigger, and that both parts move freely.
- Ensure that the magazine is properly attached.
- Ensure that the required safety information on the tool is legible.
- Use only Paslode approved fasteners in the tool, and ensure that they are correct for the application.
- Ensure that a male air fitting is securely connected to the tool.
- Test the tool by driving fasteners into a workpiece identical to the tool's application.
- Check the tool for air leaks during testing and for the proper sequence of operation.
- Ensure that all fasteners are driven to the same depth and that the crown of the fastener is flush with the workpiece.

Tool Lubrication

It is most important that the tool be properly lubricated by keeping the air line lubricator filled and correctly adjusted. Without proper lubrication the tool will not work properly and parts will wear prematurely.

Use the proper lubricant in the air line lubricator. The lubricator should be of low air flow or changing air flow type, and should be kept filled to the correct level. Use only Paslode recommended lubricants. Substitutes may harm the rubber compounds in the tools O-rings and other rubber parts. Paslode Part No. 403720 is a pneumatic lubricating oil specially made for pneumatic applications. If a filter/regulator/lubricator is not installed on the air system, air operated tools should be lubricated at least once a day with 6 to 20 drops of oil, depending on the work environment, directly through the male fitting in the tool housing.

Most minor problems can be resolved quickly and easily using the maintenance table that follows. If problems persist, contact your Paslode dealer for assistance.

MAINTENANCE - Continued





Disconnect the tool when performing repairs or clearing jams.

MAINTENANCE TABLE

ACTION	WHY	HOW
Drain air line filter(daily).	Prevent accumulation of moisture and dirt.	Open manual petcock (most air supply systems have such a valve).
Keep lubricator filled.	Keep tool lubricated.	Fill with pneumatic tool lubricant. Part No. 403720.
Clean filter element-then blow air through filter in direction opposite to normal flow.	Prevent clogging of filter with dirt.	Wash with soap and water or follow manufacturers instructions.
Check that all screws on tool are tight.	Prevent air leakage and promote efficient operation.	Check screws daily.
Keep work contacting element working properly.	Promote operator safety and efficient tool operation.	Blow clean daily.
Keep magazine and feeder mechanism clean.	Prevent jamming of fasteners.	Blow clean daily.
Lubricate "O" rings that are replaced.	Assure long life and proper operation of tool.	Use Chemplex® grease, Part No. 403734.
Use only Paslode® replacement parts.	Keep tool operating efficiently and maintain Paslode® tool warranty.	Order any replacement parts needed from Paslode® Dealer.
Check the driver blade regularly and replace when worn.	Ensure proper operation of the tool.	Remove piston and driver assembly from tool and compare with new driver blade. Replace when worn.

OPERATOR TROUBLESHOOTING

 CAUTION 
Disconnect the tool when performing repairs or clearing jams.

PROBLEM	CORRECTIVE ACTION
Fasteners will not drive completely into wood.	Increase air pressure (do not exceed 120 psi).
Fasteners penetrate properly during normal operation, but won't drive fully at faster speeds.	Increase air flow to tool -- use larger air lines (3/8 inch ID minimum).
Fasteners drive too deeply into wood.	Reduce air pressure.
Tools skips during operation - no fasteners are driven from time to time.	<p>Make sure correct fasteners are being used. Use fasteners that meet Paslode® specifications only.</p> <p>Inspect check and feed claw for wear and proper operation.</p> <p>Clean as needed to remove debris.</p> <p>Increase air flow to tool -- use larger air lines (3/8 ID minimum).</p>
Tool operates, but no fasteners are driven.	<p>Check magazine for proper fasteners.</p> <p>Increase air pressure (do not exceed 120psi).</p>
Air leaks at cap when tool is connected to air.	Tighten capscrews.

TOOL WARRANTY



An Illinois Tool Works Company
155 Harlem Avenue
Glenview, IL 60025

MODEL tG100SCN tetraGRIP™ Coil Siding Nailer

TOOL WARRANTY AND LIMITATIONS

Paslode warrants that newly purchased power fastening tools, parts and accessories will be free from defects in material and workmanship for the period shown below, after the date of delivery to the original user.

90-DAY LIMITED WARRANTY

A 90-day warranty will apply to all parts, except those which are specifically covered by an extended warranty.

EXTENDED LIMITED WARRANTY FOR ON SITE CONSTRUCTION APPLICATIONS

A one year warranty will apply to all housing and cap assembly castings. A six month warranty will apply to all magazine parts.

NORMAL WEARING PARTS

The following parts are considered normal wearing parts and are not under warranty.

- Bumper
- Driver Blades
- "O" Rings
- Piston Rings

WARRANTY STATEMENT

This warranty is limited to tools sold and service requested in the United States. To obtain information on warranty service in the United States, refer to the Service Center listing that was provided with your tool.

Paslode's sole liability hereunder will be to replace any part or accessory which proves to be defective within the specific time period. Any replacement part or accessory provided in accordance with this warranty will carry a warranty for the balance of the period of warranty applicable to the part it replaces. This warranty does not apply to part replacement required due to normal wear.

This warranty is void as to any tool which has been subjected to misuse, abuse, accidental or intentional damage, use with fasteners, not meeting Paslode specification, size, or quality, improperly maintained, repaired with other than genuine Paslode replacement parts, damaged in transit or handling, or which, in Paslode's opinion, has been altered or repaired in a way that affects or detracts from the performance of the tool.

PASLODE MAKES NO WARRANTY, EXPRESSED OR IMPLIED, RELATING TO MERCHANTABILITY, FITNESS, OR OTHERWISE, EXCEPT AS STATED ABOVE, and Paslode's liability AS STATED ABOVE AND AS ASSUMED ABOVE is in lieu of all other warranties arising out of, or in connection with, the use and performance of the tool, except to the extent otherwise provided by applicable law. PASLODE SHALL IN NO EVENT BE LIABLE FOR ANY DIRECT, INDIRECT, OR CONSEQUENTIAL DAMAGES, INCLUDING, BUT NOT LIMITED TO, DAMAGES WHICH MAY ARISE FROM LOSS OF ANTICIPATED PROFITS OR PRODUCTION, SPOILAGE OF MATERIALS, INCREASED COST OF OPERATION, OR OTHERWISE.

Paslode reserves the right to change specifications, equipment, or designs at any time without notice and without incurring obligation.

ACCESSORIES

Lubricants and Loctite®

Loctite® 242 (Blue)

Lubricating Oil 16 oz.

Lubricating Oil with Antifreeze 8 oz.

Chemplex® 710 Lubricant 1lb.

Lubricant 5 gram tube



Part No. 093500

Part No. 403720

Part No. 219090

Part No. 403734

Part No. 219188

Tool Cleaner

Ideal cleaner for all Paslode® tools.



Part No. 219348

Safety Glasses

Clear



Part No. 401382

For additional information on Paslode® products, visit our website at www.paslode.com.

For technical support call 1-800-222-6990.

To purchase parts and accessories, visit www.itwconstructionparts.com.



ACCESORIOS

Lubrificantes Y Loctite®



Loctite® 242 (Azul)

Acéite Lubrificante 16 oz.

Acéite Lubrificante con Anticongelante 8 oz.

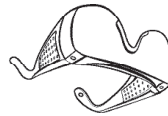
Lubrificante Chemplex® 710 1lb.
Lubrificante en Tubo de 5 gramos



- Pieza No. 093500
- Pieza No. 403720
- Pieza No. 219090
- Pieza No. 403734
- Pieza No. 219188

Lentes de Seguridad

Claros



- Pieza No. 401382

Para la información adicional en los productos Paslode® :

Visitan nuestro sitio web en www.paslode.com.

Para llamada técnica de apoyo, 1-800-222-6990.

Para comprar las partes y los accesorios, la visita www.itwconstructionparts.com.



An Illinois Tool Works Company
155 Harlem Avenue
Glenview, IL 60025



An Illinois Tool Works Company
 155 Harlem Avenue
 Glenview, IL 60025

MODEL tG100SCN

tetraGRIP™ 0° Bobina Siding Clavadora

TERMINOS DE LA GARANTÍA

DECLARACION DE LA GARANTIA

Esta garantía esta limitada a las herramientas vendidas y revisadas en los Estados Unidos. Para obtener más información sobre el servicio de garantía en los Estados Unidos, véa la lista de Centros de Servicio que fue proporcionada con su herramienta.

Paslode® asume únicamente la responsabilidad de reponer cualquier pieza o accesorio que se compruebe como defectuoso dentro del período especificado. Cualquier pieza o accesorio de repuesto, entregado de conformidad con esta garantía, gozará de la garantía por el período restante de la garantía que cubra a la pieza o al accesorio originales. Esta garantía no cubre las piezas que necesitan ser repuestas como consecuencia de su desgaste normal.

Se cancelará esta garantía a cualquier herramienta que haya sido usada incorrectamente, dañada accidental o intencionalmente, usada con sujetadores que no reúnan las especificaciones, el tamaño o la calidad de Paslode®, o a la que no se le haya dado el mantenimiento o el uso adecuado, o que haya sido reparada con piezas que no sean marca Paslode®, o que en opinión de Paslode® hayan sido modificadas o reparadas de manera que afecte o sea contraria al funcionamiento de la herramienta.

PASLODE® NO OTORGA NINGUNA GARANTIA EXPLÍCITA O IMPLÍCITA CON RESPECTO A LA COMERCIALIZACIÓN O ADAPTACIÓN AL USO PREVISTO, O DE CUALQUIER OTRA NATURALEZA, CON EXCEPCION DE LO DECLARADO ANTERIORMENTE, Y LA RESPONSABILIDAD DE PASLODE® TAL COMO SE INDICA Y SE ASUME MAS ARRIBA reemplaza a todas las otras garantías que resulten o estén relacionadas con el uso y funcionamiento de la herramienta, excepto según lo estipulen las leyes pertinentes. PASLODE® NO SERA RESPONSABLE EN NINGUN CASO POR NINGUN DAÑO DIRECTO, INDIRECTO O CONSECUENTE INCLUYENDO, PERO SIN LIMITARSE, CUALQUIER DAÑO RESULTADO DE LA PERDIDA DE PRODUCCION O GANANCIAS ANTICIPADAS, EL DETORIO DE MATERIALES, AUMENTOS EN EL COSTO DE OPERACION O CUALQUIER OTRO.

Paslode® garantiza que sus herramientas mecánicas, sus piezas y accesorios, que hayan sido comprados nuevos, están libres de defectos de material y fabricación por el período indicado más abajo, a partir de la fecha de compra del comprador original.

GARANTIA LIMITADA DE 90 DIAS

La garantía limitada de 90 días cubre todas las piezas, con excepción de las que estén específicamente cubiertas por una garantía extendida.

GARANTIA LIMITADA ADICIONAL PARA APLICACIONES EN EL LUGAR DE CONSTRUCCION.

Todas las piezas fundidas del armazón y de la tapa están cubiertas por una garantía de un año. Todas las piezas del cargador están cubiertas por una garantía de seis meses.

PIEZAS DE DESGASTE NORMAL

Las siguientes piezas se consideran como piezas que sufren desgaste normal y no están cubiertas por ninguna garantía.

- Amortiguador
- Hojas del impulsor
- “O rings”
- Anillos del pistón

Paslode® se reserva el derecho de cambiar las especificaciones, el equipo o los diseños en cualquier momento, sin aviso previo y sin incurrir en obligación alguna.

DETECCION Y CORRECCION DE FALLAS

Desconecte la herramienta al hacer cualquier reparación o eliminar cualquier obstrucción.



SOLUCIÓN	PROBLEMA
Aumente la presión de aire (no debe exceder 120 psi).	Los sujetadores no penetran completamente en la madera.
Aumente el flujo de aire a la herramienta; use líneas de aire más grandes (3/8" de diámetro como mínimo).	Los sujetadores penetran bien durante las operaciones normales, pero fallan a velocidades más altas.
Reduzca la presión de aire.	Los sujetadores penetran demasiado en la madera.
Abra el seguro delantero, quite el sujetador obstruido y cierre bien el seguro.	Los sujetadores se acumulan en la punta de la herramienta.
<p>Compruebe si el cargador tiene los sujetadores apropiados. El transportador debe deslizarse sin dificultad. Limpíelo para quitar cualquier suciedad.</p> <p>Verifique que se usen los sujetadores apropiados. Use solamente sujetadores que reúnan las especificaciones de Paslode®.</p> <p>Aumente el flujo de aire a la herramienta; use líneas de aire más grandes (3/8" de diámetro como mínimo).</p>	<p>La herramienta "salta" mientras está funcionando; de vez en cuando no impulsa sujetadores.</p>
<p>Compruebe si el cargador tiene los sujetadores apropiados. Los sujetadores deben deslizarse libremente sin presión del transportador.</p> <p>Abra el seguro delantero o afloje el botón del cargador y revise si hay suciedad o alguna obstrucción en el área de la punta. Límpiela si es necesario.</p> <p>Aumente la presión de aire (no debe exceder 120 psi).</p>	La herramienta funciona, pero no dispara sujetadores.
Apriete los tornillos.	Hay pérdidas de aire en la cubierta cuando la herramienta está conectada a la línea de aire.



PRECAUCIÓN  
 Desconecte la herramienta al hacer cualquier reparación o eliminar cualquier obstrucción.

TABLA DE MANTENIMIENTO

ACTIVIDAD	POR QUE	COMO
Purgar el filtro de la línea de aire a diario.	Para evitar que se acumulen la humedad y la suciedad.	Abra la llave de escape. (La mayoría de los sistemas neumáticos la tienen.)
Mantenga lleno el lubricador.	Para mantener lubricada la herramienta.	Llene con lubricante neumático N° 403720 (474 ml).
Limpie el elemento del filtro; luego, sople aire a través del filtro en la dirección opuesta a la corriente normal.	Para evitar que la suciedad obstruya el filtro.	Lave con agua y jabón, o siga las instrucciones del fabricante.
Verifique que todos los tornillos de la herramienta estén apretados.	Para evitar pérdidas de aire y asegurar el buen funcionamiento de la herramienta.	Revise los tornillos a diario.
Revise si el elemento de contacto funciona correctamente.	Para promover la seguridad del operador y el buen funcionamiento de la herramienta.	Limpie con aire a diario.
Mantenga limpios los mecanismos del cargador y del alimentador.	Para prevenir que se obstruyan los sujetadores.	Limpie con aire a diario.
Lubrique los anillos-o que se hayan reemplazado.	Para prolongar la vida de la herramienta y su funcionamiento adecuado.	Use grasa lubricante Chemplex® N° 403734.
Use solamente piezas de repuesto Paslode®.	Para que la herramienta continúe funcionando eficientemente y mantener vigente la garantía de Paslode.	Solicite al representante de repuesto que necesite.
Revise la hoja de impulso periódicamente y reemplaze si esta desgastada.	Asegure el funcionamiento apropiado de la herramienta.	La punta de la hoja de impulso se debe inspeccionar periódicamente por desgastes. Reemplaze cuando este desgastada.

MANTENIMIENTO

El mantenimiento de cualquier herramienta Paslode® es simple. Su funcionamiento sin problemas y la prolongación de la vida de la herramienta se logran siguiendo un sencillo procedimiento. Las personas encargadas de usar y mantener la herramienta deben leer las instrucciones de seguridad y mantenimiento. Estudie los diagramas antes de hacer cualquier reparación.

Las herramientas neumáticas deben revisarse periódicamente, y se deben cambiar las piezas gastadas o deterioradas para que la herramienta siga funcionando con eficiencia y sin peligro. Además, se debe revisar la tabla de mantenimiento frecuentemente.

Cuando Hace Mucho Frío

Cuando la temperatura es inferior a la de congelamiento, las herramientas deben mantenerse a la temperatura ambiente por el método más seguro y conveniente. De lo contrario, aconsejamos seguir el siguiente procedimiento para calentar las piezas de la herramienta.

Disminuya la presión regulada del aire a 30 psi.

Quite todos los sujetadores de la herramienta.

Conecte una línea de aire y dispare la herramienta.

sin clavos. La presión reducida del aire será suficiente para lograrlo. El funcionamiento a poca velocidad tiene la tendencia de calentar las partes móviles.

Disminuyendo la velocidad del pistón le da cierta elasticidad al amortiguador y los anillos-o-

PRECAUCIÓN

Nunca dispare la herramienta sin clavos a alta presión.

Una vez que la herramienta se haya calentado, ajuste nuevamente el regulador a la presión apropiada para trabajar y cargue de nuevo la herramienta.

Los operadores que trabajen al aire libre o en áreas sin calefacción con temperaturas extremadamente frías también tienen que usar en el lubricador el aceite neumático con anticongelante No. 219090 (8 oz.).

Una vez por semana, según el uso que le dé a su herramienta, desármela y lávela con el solvente No. 219348, para eliminar cualquier suciedad y asegurar que la herramienta siga funcionando bien.

PRECAUCIÓN

Nunca use queroseno ni ningún solvente inflamable para limpiar la herramienta.

Al usar solventes para limpiar herramientas neumáticas se destruye la delgada capa de grasa lubricante, que se aplica en la fábrica, de la pared del cilindro y de los anillos-o-. Use grasa Chemplex® No. 403734 para reemplazar la capa de grasa lubricante.

Abra, por lo menos diariamente, el drenaje del tanque del compresor del aire para eliminar cualquier humedad, cuando haga mucho frío o el grado de humedad sea muy alto. Poniendo una pequeña cantidad de descongelante en el tanque evitará que la humedad se congele.

Probar la Herramienta Después de Darle Servicio

Después de reemplazar una o más piezas, es importante comprobar si la herramienta funciona como es debido. Esto asegura que todas las piezas estén puestas correctamente, que la herramienta esté segura y que funcione correctamente.

Verifique que ninguna pieza esté floja.

Compruebe que el elemento de contacto haya sido correctamente instalado en relación con el gatillo y que ambas piezas se muevan libremente.

Verifique que el cargador esté colocado correctamente.

Verifique que la información sobre seguridad, que está en la herramienta, sea legible.

Use solamente sujetadores aprobados por Paslode® y compruebe que sean los apropiados para su aplicación.

Verifique que se haya conectado firmemente un adaptador macho a la herramienta.

Pruebe la herramienta impulsando sujetadores en un material de trabajo idéntico al de la aplicación.

Verifique que no haya pérdidas de aire en la herramienta durante las pruebas y revise la secuencia apropiada de funcionamiento.

Asegure que todos los sujetadores sean impulsados a la misma profundidad y que la cabeza del sujetador esté al ras con el material de trabajo.

Lubricación de la Herramienta

Es muy importante lubricar la herramienta correctamente, manteniendo lleno el lubricador de la línea de aire y correctamente regulado. Sin la lubricación apropiada, la herramienta no funcionará como es debido y sus piezas se gastarán prematuramente.

Use el lubricante apropiado en el lubricador de la línea de aire. El lubricador debe ser para corriente de aire de variable, y tiene que estar lleno hasta el nivel apropiado por Paslode® porque otros lubricantes podrían dañar el caucho de los anillos-o- y otras piezas de caucho. El lubricante No. 403720 (474 ml) es un aceite lubricante especialmente diseñado para aplicaciones neumáticas.

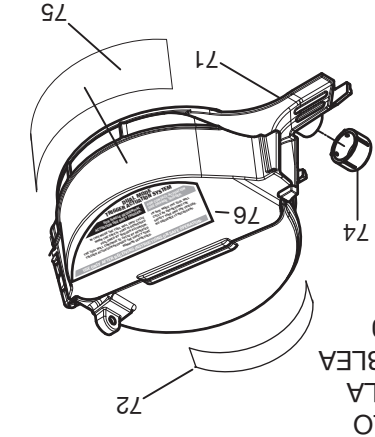
Si no se instala un filtro/regulador/lubricador en el sistema neumático, las herramientas neumáticas deben ser lubricadas, por lo menos, diariamente, poniendo entre 6 y 20 gotas de aceite, según sea el tipo de trabajo que se realice, directamente a través del adaptador macho.

Usando la siguiente tabla de mantenimiento es posible resolver rápidamente y fácilmente la mayoría de los problemas. Si un determinado problema persiste, comuníquese con el representante de Paslode®.

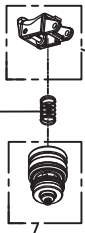
BOBINA CLAVADORA
para SIDING
MODEL tG100CSN
Part# 515400



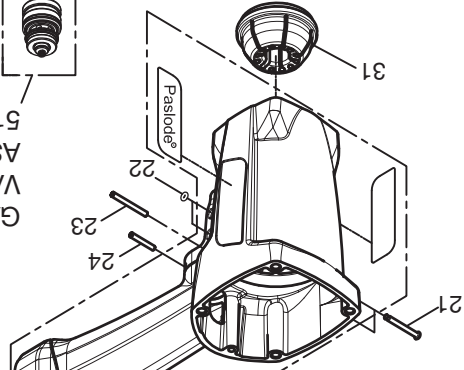
OPCIONAL
 CONTACTO
 ACTIVACION
 GATILLO
 ASAMBLEA
 (NARANJA)
 502986



GATILLO
 VALVULA
 ASAMBLEA
 515410

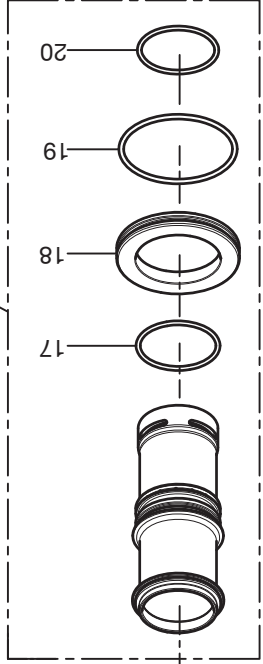
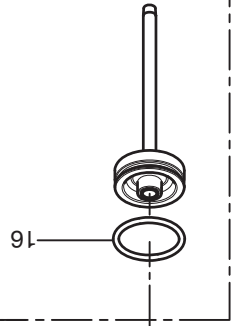


CILINDRO
 ASAMBLEA
 515405
 SECUENCIAL
 GATILLO
 ASSY.
 503055
 (GRIS)

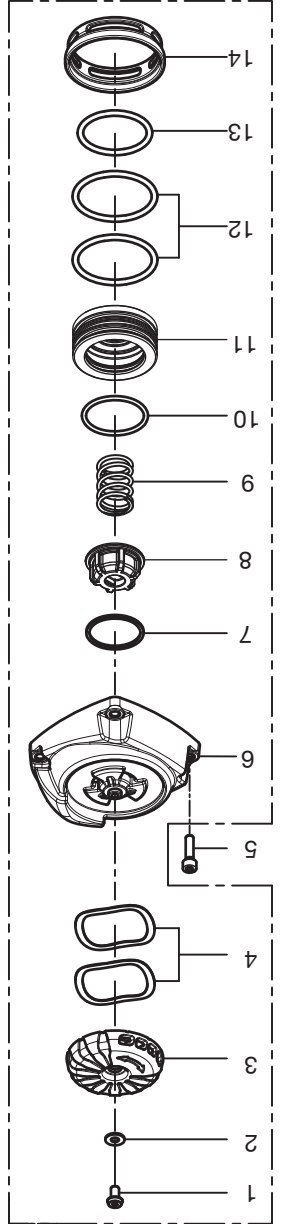


VIVIENDA CON
 INSERCIÓN DE HILOS
 515407

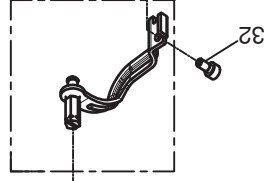
MONTAJE DEL
 CONDUCTOR
 515403



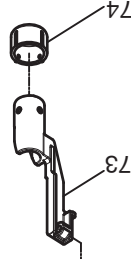
CAP Y PRINCIPALES
 CONJUNTO DE LA VALVULA
 515401



PROFUNDIDAD
 DE CLAVADO
 ASAMBLEA
 502993



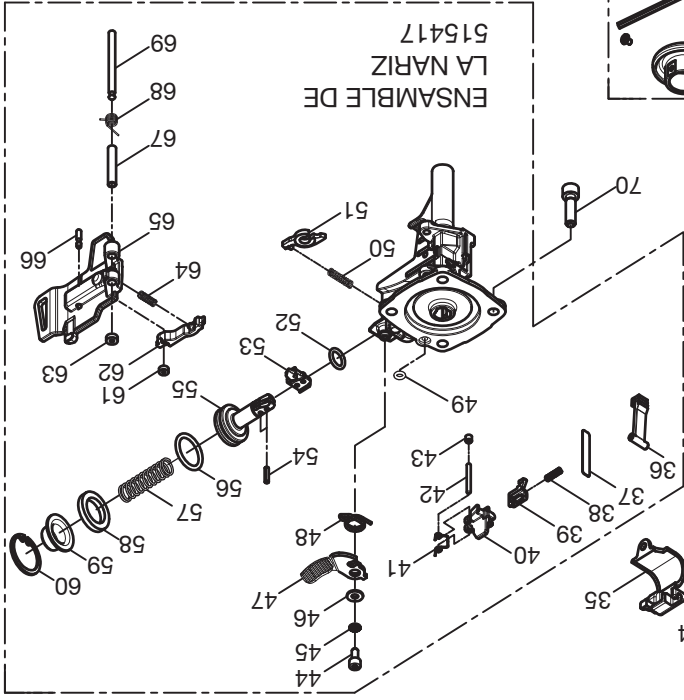
TRABAJO
 SUPERIOR
 CONTACTO
 ASSY.
 515412



ADJ. LA
 SEGURIDAD
 TIP ASSY.
 515444



ENSAMBLE DE
 LA NARIZ
 515417

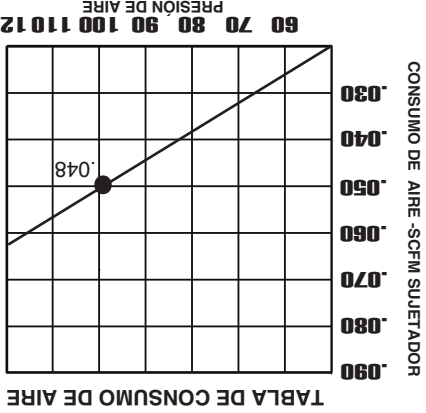


LISTA DE PIEZAS, tetraGrip™ 0° Bobina Siding Clavadora, tG100SCN 515400

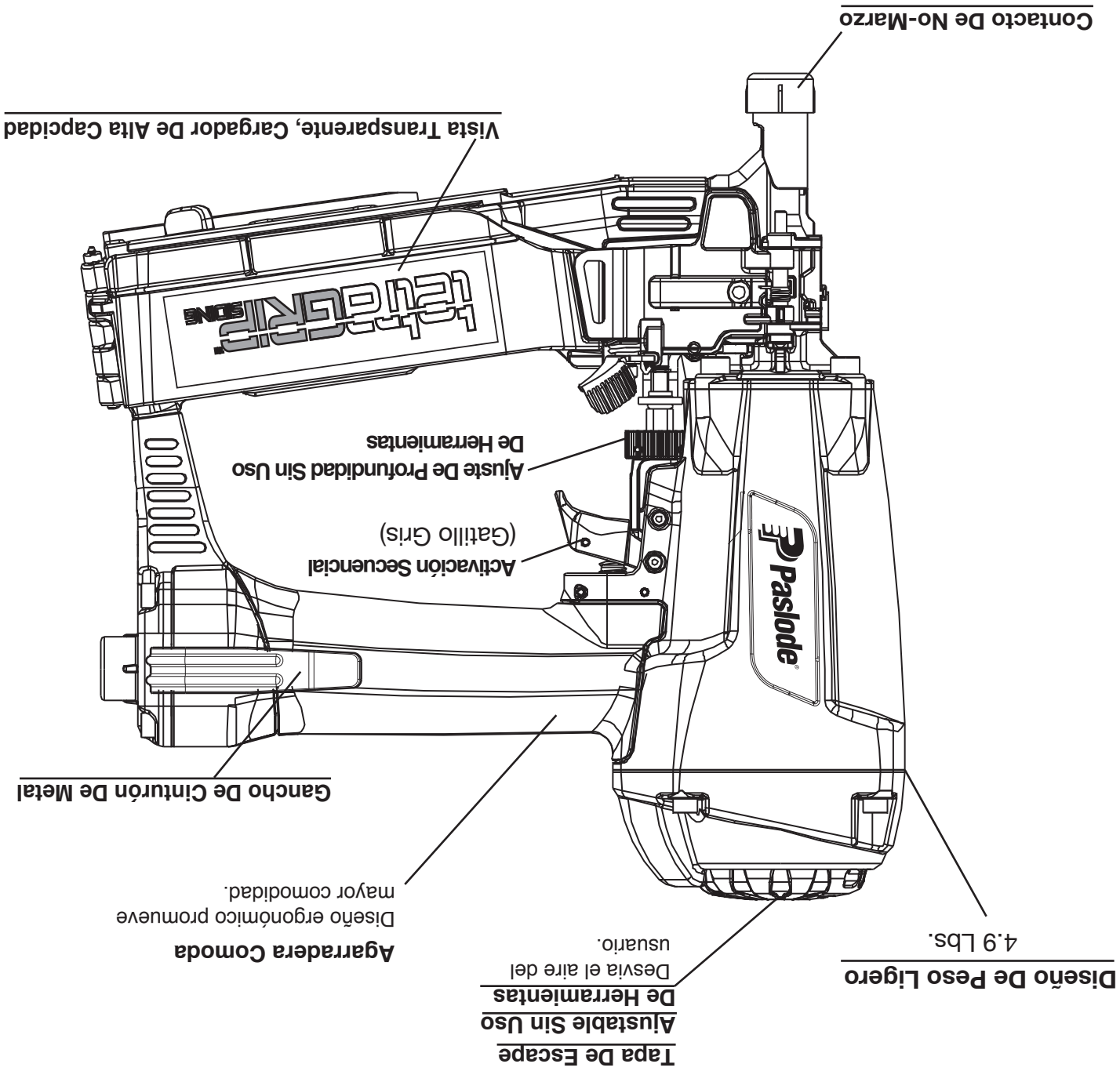
1	502996	BHCS M5 x 10mm-P30 Precoat	1	40	515422	Indicador
2	502997	Flat Washer	1	41	515423	Spring
3	502969	Air Deflector	1	42	515424	Pin
4	511065	Wave washer, 41 x 52mm	2	43	515425	Set Screw
5	502998	Hex.SOC.HD.Bolt, M5 x 20mm	8	44	515445	Hex.SOC.HD.Bolt, M4 x 10
6	515447	Cap Casting	1	45	515446	Lock Washer
7	503236	Collar	1	46	503027	Flat Washer, 4.0 x 10mm
8	502971	Piston Stop	1	47	515426	Stopper
9	502972	Main Valve Spring	1	48	515427	Torsion Spring
*10	503021	O-Ring 36.2 x 2.6mm NBR	1	* 49	503240	O-Ring, 3.7 x 1.8mm, NBR
*11	515402	Piston, Head Valve	1	50	515428	Spring, Lever
*12	503218	O-Ring 46.0 x 3.5mm NBR	2	51	515429	Lever
*13	503252	O-Ring 39.7 x 3.5mm NBR	1	52	503251	O-Ring, 9.0 x 2.0mm,MBR
14	502974	Sleeve Retainer	1	53	515430	Feed Pawl
*15	502975	Gasket, Top Cap	1	* 54	503207	Rolled Pin
*16	515404	O-Ring, Piston 37.7 x 3.5mm NBR	1	55	515431	Feed Piston
*17	503220	O-Ring 47.3 x 2.6mm NBR	1	* 56	515432	O-Ring, 17.9 x 2.5mm, NBR
*18	502978	Sleeve Bulkhead Seal	1	57	515433	Compression Spring
*19	515406	O-Ring 72 x 3.0 NBR	1	58	503210	Feed Piston Stop
*20	503246	O-Ring 45.7 x 2.6mm NBR	1	59	503212	Spring Collar
*21	502980	Pin, Trigger	2	60	503243	C Ring, 24mm
*22	503222	O-Ring 1.9 x 1.9mm NBR	2	61	515434	PU Ring
23	503224	Roll Pin 3 x 30mm	1	62	515435	Tail Pawl
24	503233	Roll Pin 3 x 20mm	1	63	502989	Rubber Washer
25	502981	Gasket, End Cap	1	64	515436	Spring
26	515408	End Cap	1	65	515437	Door
27	502983	Belt Hook	1	66	515438	Stepped Pin
28	515409	S.H.C.S. M5 x 12mm	1	67	515439	Sleeve
29	503235	Lock Nut, M5	1	68	502999	Torsion Spring, Door
30	502985	Spring, Trigger	1	69	503203	Straight Pin
31	515411	Bumper	1	70	503241	Hex.SOC.HD.Bolt M6 x 20mm
32	515413	Hex.SOC.HD.Bolt, M5 x 10mm	1	** 71	515440	Magazine Assembly
33	515414	HEX.SOC.HD.Bolt, M4 x 8mm	1	72	515441	Warning Label
34	515415	Flat Washer	1	73	515442	Lower Work Contact Element
35	515416	Contact Arm Cover	1	74	515443	Rubber No Mar Contact Tip
36	515418	Stop Lever	1	75	515551	Label, Magazine
37	515419	Stopper, Flat Spring	1	76	515550	Label, Trigger Operation
38	515420	Spring, Actuator	1			
39	515421	Actuator	1			

ADVERTENCIA
 Todas las piezas deben ser inspeccionadas periódicamente y ser reemplazadas si están gastadas o rotas. Falta de hacer esto puede afectar el funcionamiento de la herramienta y presentar un riesgo de seguridad.

* Indica piezas de desgaste normal.
 ** Asegure que la Etiqueta de Advertencia (515441) este bien pegada. Reemplaze si es necesario.
 ▼ Aplique Loctite® 242 (Azul) No. de Pieza 093500



CARACTERÍSTICAS Y BENEFICIOS DE LA tg100SCN



SISTEMAS NEUMATICOS (continuación)

Como Calcular el Tamaño del Compresor
 Use la tabla de consumo de aire en el esquema de cada herramienta para calcular los requisitos de funcionamiento de las herramientas. Las herramientas Paslode han sido diseñadas para funcionar eficientemente entre 80 y 120 psi, y nunca se deben usar a presiones superiores a 120 psi. La tabla de consumo de aire le permitirá encontrar el tamaño correcto del compresor para reponer rápidamente la presión del aire en su herramienta.

Para usar la tabla necesita saber cuántas herramientas se usarán y aproximadamente cuántos sujetos para aplicar, por minuto, cada herramienta de la línea. Use esta ecuación:

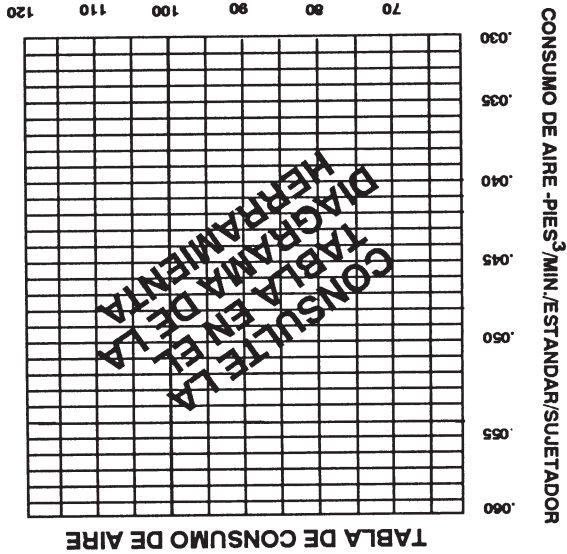
Número de herramientas X promedio de sujetadores/minuto/herramienta X 1.2 (factor de seguridad) X consumo de aire (pies³/min./estándar) @ presión* (psi) = pies³/min./estándar requeridos

Por ejemplo:

10 herramientas X 30 sujetadores/minuto/herramienta X 1.2 X 0.051 pies³/min./estándar* (@ 100 psi) = 18.36 pies³/min./estándar.

* Esta cifra aparece en la tabla de Consumo de Aire.

Usando la tabla de consumo de aire, este ejemplo demuestra que se necesita un compresor que proporcione 19 pies³/min./estándar de aire, por lo menos. Como en compresores se necesita aproximadamente 1 hp para proporcionar 4 pies³/min./estándar, se requiere, por lo menos, un compresor de 5 hp.



Como Calcular la Tubería Necesaria
 Por ejemplo, si un compresor eléctrico de 20 hp proporciona aproximadamente 80 pies³/min. de aire a 120 psi y la longitud de la línea principal es de 106.70 m, la tabla indica que el diámetro interior de la línea principal necesario para esta aplicación debe ser de 1-1/4 pulgadas como mínimo.

VOLUMEN DEL AIRE (PIES CUBICOS/MIN.)	LONGTUD DE LA LINEA (EN METROS)		
	15-61	61-152	152-305
500-1000	2 1/2	3	3 1/2
200-50	2	2 1/2	3
100-200	1 1/4	1 1/2	2
60-100	1	1 1/4	2
30-60	1	1 1/4	1 1/2

Importante: Presión de Aire (80-100 psi)

Mantenimiento del Sistema Neumático

- Asegure Que:

- Los adaptadores neumáticos estén apretados y no haya pérdidas.
- Las columnas de agua, o los filtros y las líneas de aire se drenen diariamente, y que los sistemas de drenaje automáticos funcionen correctamente.
- Las líneas de aire estén limpias para evitar que se congelen, especialmente en invierno.
- El funcionamiento del lubricador se examine periódicamente y que el suministro de lubricante sea adecuado (Pieza N° 403720).
- Se limpie el filtro cada seis meses.
- Solo se use aire regulado y que cada regulador funcione correctamente.

SISTEMAS NEUMÁTICOS

El sistema neumático debe estar correctamente instalado y recibir mantenimiento periódicamente para que todas las herramientas de potencia neumática funcionen bien. El diagrama de más abajo muestra un sistema neumático correctamente instalado. A continuación se detallan las revisiones necesarias para la instalación y el mantenimiento de los sistemas neumáticos.

Instalación de Un Sistema Neumático para Interiores

- Asegure Que:

- El diámetro interior de todas las líneas que suministran aire sea bastante grande como para garantizar un suministro de aire adecuado.
- La línea principal tenga una inclinación de (1/16 de pulgada por pie) a partir del compresor.
- Existen almacenamientos de aire a lo largo de las líneas muy largas.

- Las salidas de aire en las líneas secundarias estén en la parte superior de la línea principal.
- Existen válvulas de cierre en cada una de las líneas secundarias de todo el sistema.
- Las columnas de agua se extiendan desde el extremo inferior de cada línea secundaria.
- Se haya instalado en el sistema un secador tipo refrigerante.
- Las mangueras de aire sean tan cortas como sea posible.
- Se siga un programa regular de mantenimiento.

Instalación de Un Sistema Neumático para Exteriores

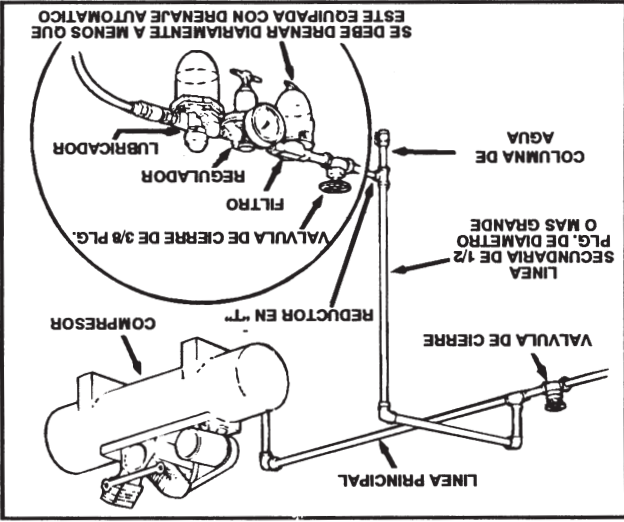
- Asegure Que:

- Se hayan instalado en el compresor un colector de humedad y un filtro/regularador/lubricador.
- Las mangueras de aire y los adaptadores tengan la longitud suficiente para que el aire circule sin problemas. El diámetro mínimo de una manguera de aire es de 3/8 de pulgada y de 1/2 pulgada para cualquier aplicación de más de 7.60 m.

- Las mangueras de aire no midan más de 45.70 m de longitud.
- El sistema neumático sea lubricado periódicamente.
- Se siga un programa regular de mantenimiento.

Unidades de Filtro/Regularador/Lubricador
 Las unidades de filtro/regularador/lubricador capaces de proporcionar aire y protección suficientes a las herramientas Paslode® deben tener las siguientes características:

- Tamaño mínimo del orificio a presión y temperatura normales de 3/8 de pulgada
- Filtros de 50 micrones o más finos
- Presión regulada de 0 a 120 psi
- Lubricadores diseñados para corriente de aire baja o variable



FUNCIONAMIENTO DE LA HERRAMIENTA

(Continuación)

Impulsos sucesivos (de robote) (Gatillo Naranja)

Tome la herramienta firmemente por el mango.

Apriete el gatillo y mueva la herramienta a lo

largo del material de trabajo con un movimiento de robote, oprimiendo el elemento de contacto en los lugares donde quiera colocar un sujetador.

Manteniendo apretado el gatillo, continúe haciendo rebotar el elemento de contacto contra el material de trabajo, colocando cuidadosamente la herramienta, como se indica más arriba.

Una vez que haya colocado todos los sujetadores necesarios, deje de oprimir el gatillo para evitar que salgan más.

No sujete ni sostenga el gatillo con ninguna otra cosa que no sea la mano.



PELIGRO

Impulsó de Clavos

Colocación precisa (Naranja)

Tome firmemente la herramienta por el mango y sosténgala de modo que la base del elemento de contacto quede bienapoyada en el material de trabajo.

Apriete el gatillo para disparar el sujetador.

Separe la herramienta del material de trabajo.

Repita el mismo procedimiento con el próximo sujetador.

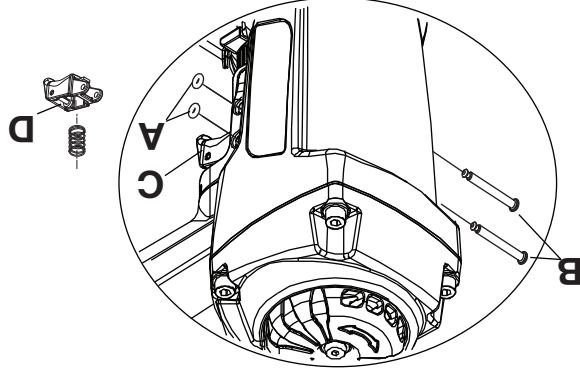
DUAL MODE TRIGGER ACTUATION SYSTEM

FOR CONTACT ACTUATION
USE ORANGE TRIGGER.

FOR SINGLE SEQUENTIAL
ACTUATION USE GREY TRIGGER.

IN THIS MODE THE TOOL WILL ONLY CYCLE WHEN THE SAFETY YOKE IS DEPRESSED FOLLOWED BY TRIGGER ACTUATION. SAFETY YOKE AND THE TRIGGER CYCLE BY DEPRESSING THE TRIGGER ACTUATION PROVIDED THE SAFETY YOKE REMAINS DEPRESSED.

USE ONLY AFTER RECEIVING INSTRUCTIONS ON SAFE OPERATION.



NOTA: Siga las instrucciones del fabricante de conectores metálicos cuando instale los clavos. Siempre use el tamaño de clavo especificado por el fabricante de conectores metálicos y/o los códigos de edificación locales.



ADVERTENCIA

Solo use clavos que reúnan las especificaciones de Paslode®.

El uso de clavos que no reúnan las especificaciones de Paslode® puede resultar en daños a la herramienta o causar lesiones personales al operador o a quienes estén cerca de ella.

No mezcle diferentes tamaños de clavos dentro del cargador a la misma vez.

Quite todos los clavos antes de cambiar a clavos de otro tamaño.

Funcionamiento en secuencia (Gatillo Gris)

Con el gatillo gris el funcionamiento en secuencia evita los impulsos sucesivos o “de rebote”

Oprima el elemento de contacto y manténgalo apoyado contra el material de trabajo antes de apretar el gatillo.

Después de haber impulsado cada clavo, suetar completamente el gatillo y levantar la herramienta del material de trabajo.

CAMBIO DEL GATILLO

1. Desconecte la herramienta de la fuente de aire.

2. Retirar el anillo de retención de goma del pasador del gatillo (A).

3. Retire el pasador de paso gatillo (B).

4. Retire el ensamble del gatillo secuencial (gris) y el resorte (C).

5. Instale el disparador de disparo (D) (naranja) con resorte y alinee el orificio y vuelva a insertar el pasador del paso del gatillo.

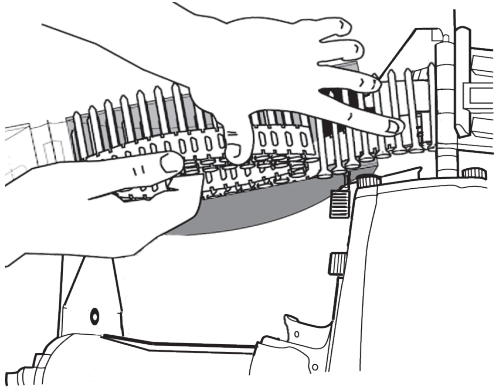
6. Vuelva a instalar el anillo de retención de caucho y compruebe su correcto funcionamiento.

FUNCIONAMIENTO DE LA HERRAMIENTA

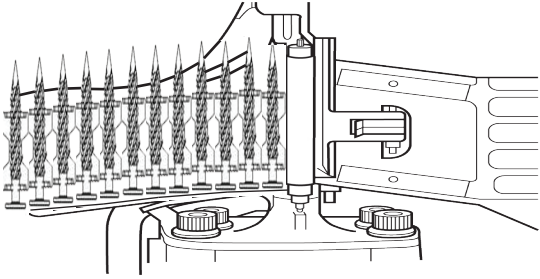
Clavadora de Rollo de clavos

Paso 1: Sujete firmemente la clavadora manejar con una mano y con la otra mano bajar el pestillo de la puerta. Swing, la revista y la puerta abierta.

Paso 2: Quite el retén de un rollo de clavos y coloque el rollo en el cargador, de modo que la punta de los clavos se apoye en la bandeja, teniendo unos 10 cm de clavos desen rollados.



Paso 3: Deslice la banda libre de clavos en la parte superior del cuerpo del alimentador de reunión y el primer lugar entre las uñas y garras la alimentación en la nariz raceway.



Solo use clavos que reúnan las especificaciones de Paslode®. El uso de clavos que no reúnan las especificaciones de Paslode® puede resultar en daños a la herramienta o causar lesiones personales al operador o a quienes estén cerca de ella. No mezcle diferentes tamaños de clavos dentro del cargador a la misma vez. Quite todos los clavos antes de cambiar a clavos de otro tamaño.



ADVERTENCIA

INSTALACION DE LA HERRAMIENTA

Su herramienta Paslode® está lista para usarse y se puede unstar siguiendo estos pasos:

1. SEGURIDAD: Antes de usar la herramienta, todos los operadores y sus supervisores inmediatos deben familiarizarse con las instrucciones de seguridad de la página 4 de este manual.

2. Con cada herramienta se entrega una copia de este manual. Conserve este manual para cualquier consulta futura. Además, se incluye una tarjeta de registro, que debe llenarse y devolverse inmediatamente a Paslode® para que su herramienta quede registrada.

3. Quite la cubierta plástica en la entrada del aire de la línea de aire comprimido. requiere un adaptador neumático tipo macho, que desc-argue el aire de la herramienta cuando se desconecte un calibre, tan cercano al de la herramienta como sea posible, de preferencia a menos de tres metros. Con-suite le sección Sistemas Neumáticos de este manual sobre la longitud y los requisitos de las mangueras de aire comprimido. En general, no se exige ninguna otra instalación especial.

4. Instale una unidad de filtro/regulador/lubricador con un calibre, tan cercano al de la herramienta como sea posible, de preferencia a menos de tres metros. Con-suite le sección Sistemas Neumáticos de este manual sobre la longitud y los requisitos de las mangueras de aire comprimido. En general, no se exige ninguna otra instalación especial.

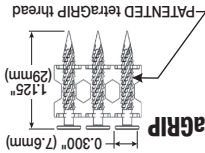
5. Si el operador usa una mesa para trabajar, se aconseja colocar la línea de aire comprimido debajo de la misma. Se puede colocar una pequeña bandeja en la parte inferior de la mesa para guardar los sujetadores y la herramienta cuando no están un uso.

6. Si la herramienta no funciona cuando se conecta por primera vez, no trate de repararla; llame de inmediato al representante de Paslode®.



tetraGRIP™
TG100CSN
Coil Siding Nailer
Paslode, 155 Harlem Ave., Glenview, IL 60025

**Use Paslode tetraGRIP®
Stainless Siding
Nails only
#650867**



WARNING

1. Read and understand tool labels and manual.
2. Failure to follow warnings could result in DEATH or SERIOUS INJURY.
3. Operators and others in work area MUST wear safety glasses with side shields.
4. Keep fingers AWAY from the trigger when not driving fasteners to avoid accidental firing.
5. Know and understand what tool trigger system you are using. Check manual for triggering options.
6. Never use oxygen or other bottled gases. Explosion may occur.



INSTRUCCIONES DE SEGURIDAD

LA SEGURIDAD ESTA PRIMERO

Estas instrucciones proporcionan la información necesaria para el funcionamiento sin peligro de las herramientas Paslode®. **NO trate de usar su herramienta hasta que no haya leído y entendido todas las precauciones de seguridad y las instrucciones de este manual.**



PROTEJASE LOS OJOS Y LOS OIDOS
Use siempre el equipo adecuado para protegerse los ojos y los oídos que sea conforme con ANSI Z87, mientras usa una herramienta o trabaja cerca de una herramienta en uso. Como operador usted es responsable de imponer el uso del la protección de ojo. Lleve sombreros duros en los ambientes que requieren su uso.

USE SU HERRAMIENTA SOLAMENTE PARA EL PROPOSITO CON QUE FUE DISEÑADA

No arroje la herramienta al suelo; no golpee el armazón ni la use como un martillo.

NUNCA USE LA HERRAMIENTA PARA JUGUETEAR
Esta herramienta no es un juguete; por lo tanto no la trate como tal. Nunca juegue con ella, ni se apunte a usted mismo ni a otra persona, aun cuando crea que no está cargada.

NUNCA SUJETE EL GATILLO EN LA POSICION DE CIERRE O DE FUNCIONAMIENTO

Nunca se debe manipular indebidamente o dejar inoperante el gatillo, o sujetarlo en la posición de cierre o de funcionamiento, porque se podría disparar un sujetador al oprimirse el elemento de contacto.

NO CARGUE SUJETADORES CUANDO LA LINEA DE AIRE COMPRIMIDO ESTE CONECTADA, O CUANDO EL GATILLO O EL ELEMENTO DE CONTACTO ESTE OPRIMIDO.

Antes de cargar sujetadores en la herramienta, verifique que la línea de aire comprimido esté desconectada y que ni el gatillo ni el elemento de contacto estén oprimidos.

USE LA HERRAMIENTA SOLAMENTE SOBRE UN MATERIAL DE TRABAJO

La herramienta debe funcionar sólo cuando esté en contacto con el material de trabajo. Debe tener mucho cuidado cuando el material sea delgado o trabaje cerca de las aristas del mismo, porque los sujetadores podrían atravesar o salirse del material.



NO DEJE INOPERANTE NI quite EL ELEMENTO DE CONTACTO

Esta herramienta está equipada con un mecanismo de seguridad, llamado elemento de contacto, para prevenir cualquier disparo accidental. Nunca manipule indebidamente, deje inoperante, ni quite el elemento de contacto. No use la herramienta a menos que dicho elemento funcione correctamente, porque podría producirse un disparo imprevisto.

PELIGRO
La falta de observación de estas instrucciones puede ser causa de graves lesiones personales, tanto al operador de la herramienta como a quienes estén cerca de ella o de daños materiales o a la herramienta.

DESCONECTE LA HERRAMIENTA CUANDO NO LA ESTE USANDO

Siempre desconecte la herramienta de la línea de aire comprimido cuando no la esté usando o al dejar su lugar de trabajo. Nunca la desdiseñe, porque cualquier persona que no esté familiarizada con ella podría lastimarse o lastimar a otros.

TOME LA HERRAMIENTA SOLAMENTE POR EL MANGO

Siempre tome la herramienta sólo por el mango. Nunca la tome por la manija o con el gatillo oprimido, porque se podría disparar un sujetador y herir o herir a otra persona.



NO ALTERE EL ARMAZON DE LA HERRAMIENTA

El armazón de la herramienta es un recipiente a presión y nunca se debe grabar en su superficie el nombre de su compañía, el del área de trabajo, ni ningún otro detalle.

DESCONECTE LA HERRAMIENTA PARA HACER REPARACIONES O ELIMINAR OBSTRUCCIONES

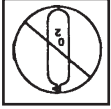
Nunca trate de eliminar obstrucciones o reparar una herramienta sin haberla desconectado de la línea de aire comprimido y quitado todos los sujetadores.

USE SIEMPRE LOS ADAPTADORES APROPIADOS PARA SU HERRAMIENTA

Se debe conectar a la herramienta solamente conectores neumáticos MACHOS, para permitir que el aire de alta presión salga tan pronto como se desconecte la línea de aire comprimido. Nunca se debe conectar a la herramienta solamente conectores neumáticos para su herramienta. Verifique por lo menos dos veces al día que el calibre de la presión neumática funcione correctamente.

NO EXCEDA LA PRESION NEUMATICA MAXIMA RECOMENDADA

La herramienta debe funcionar sólo con la presión neumática recomendada. No exceda la presión neumática máxima marcada en la herramienta. Verifique por lo menos dos veces al día que el calibre de la presión neumática funcione correctamente. Nunca use aire o gases envasados, como el oxígeno, para hacer funcionar la herramienta porque podrían hacer que explote. No opere en atmósferas explosivas como en presencia de líquidos inflamables, gases o polvo combustible.



INSPECCIONE LA HERRAMIENTA PARA LA OPERACION APROPIADA

Limpie diariamente la herramienta y lubríquela como se recomienda. Nunca trate de hacer funcionar una herramienta sucia o defectuosa.

USE SOLAMENTE PIEZAS Y SUJETADORES RECOMENDADOS POR PASLODE

Use sólo piezas y sujetadores específicamente diseñados y recomendados por Paslode para usar con esa herramienta y para la tarea requerida. Si se usan piezas o sujetadores no autorizados o se modifica de alguna forma la herramienta, se pueden crear situaciones peligrosas. Vuelva a colocar todas las etiquetas de precaución que flaten. Consulte el diagrama de la herramienta sobre el número de cada parte y su ubicación correcta.

ESPECIFICACIONES DE LA HERRAMIENTA Y LOS SUJETADORES

ESPECIFICACIONES DE LA HERRAMIENTA

NO. de MODELO	tG100SCN (Part# 515400)
ALTURA	11.5"
ANCHO	6"
LONGITUD	12.25"
PESO	4.9 lbs.
PRESIÓN de OPERACIÓN	80 hasta 120 psi (6.2 hasta 8.3 bar)
TIPO de CARGADOR	0 Grados, en Coil, de plástico

ESPECIFICACIONES de los SUJETADORES

LONGITUD DEL CLAVO	1.125"
DIAMETRO DEL TALLO	.117
ACABADOS DEL CLAVO	acero inoxidable, tetraGRIP™

ACOPLAMIENTO DE AIRE:

Esta herramienta utiliza un tapón macho de 3/8" N.P.T. El acoplamiento debe ser capaz de descargar la presión de aire en la herramienta cuando sea desconectada del suministro de aire.

OPERACION de PRESIÓN de AIRE:

90 hasta 120 psi (6.2 hasta 8.3 bar). Seleccione una presión de aire dentro de esta gama para obtener el mejor rendimiento.

NO EXCEDA LA PRESION DE AIRE RECOMENDADA.

16	ACCESORIOS.....
15	GARANTIA.....
14	DETECCION Y CORRECCION DE FALLAS.....
12-13	MANTENIMIENTO.....
10-11	VISTA EXPANDIDA CON LISTADO DE PIEZAS.....
9	BENEFICIOS DE LA HERRAMIENTA.....
7-8	SISTEMAS DE AIRES.....
5-6	INSTALACION Y OPERACION DE LA HERRAMIENTA.....
4	INSTRUCCIONES DE SEGURIDAD.....
3	ESPECIFICACIONES DEL LA HERRAMIENTA Y SUS SUJETADORES.....

CONTENIDO

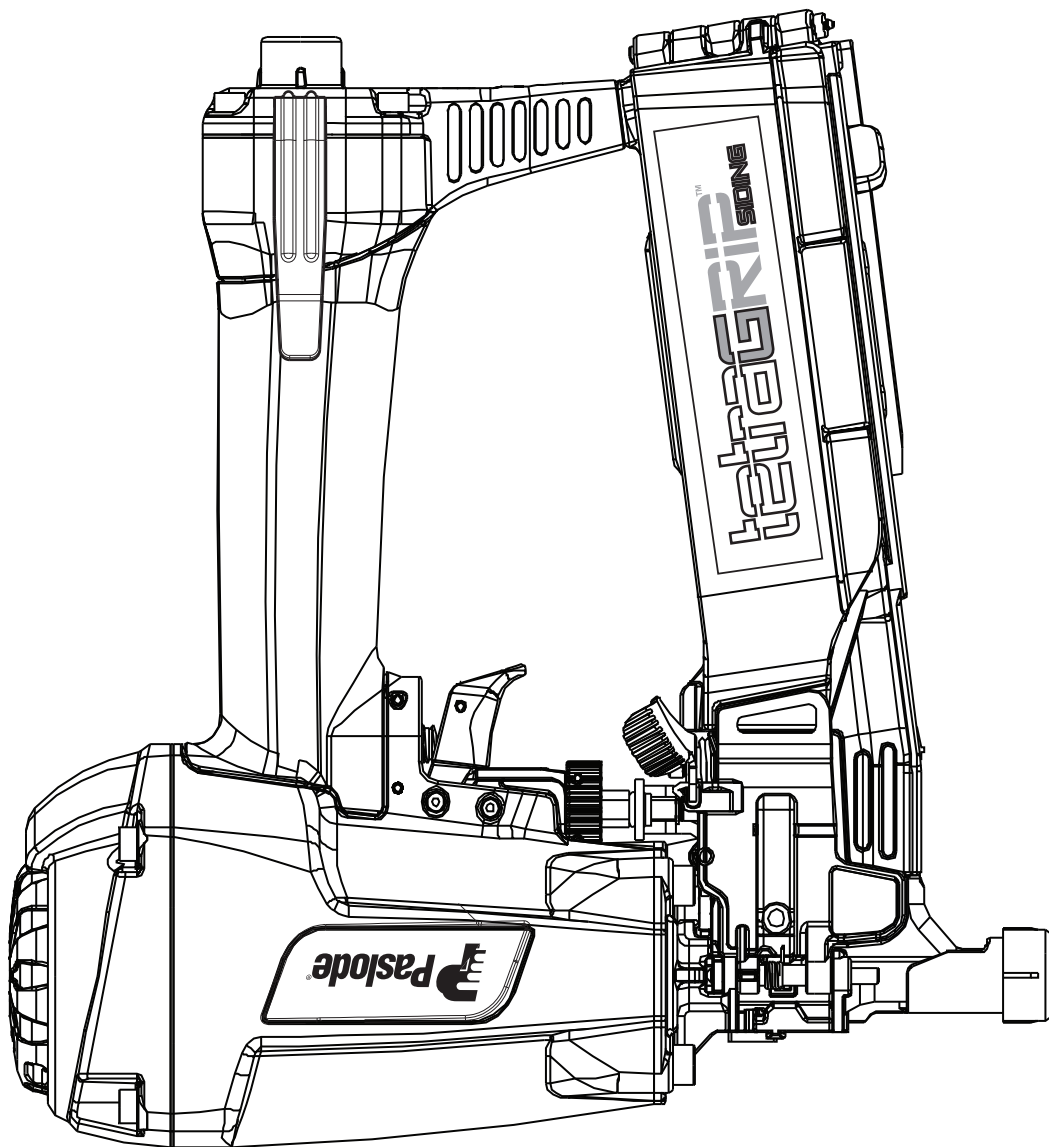
El Paslode® tetraGRIP™ 0° clavadora bobina de revestimiento es una herramienta integrada de calidad diseñado para su uso en el revestimiento residencial, exclusiva-mente con productos de revestimiento de cemento de fibra James Hardie. Esta herramienta entrega eficiente, confiable desempeño cuando se utiliza de acuerdo con las directivas del fabricante.

Por favor este manual de estudio, incluyendo las instrucciones de seguridad, para comprender el funcionamiento de esta herramienta.

INTRODUCCIÓN

!IMPORTANT!
NO DESTRUYE ESTE MANUAL
El cliente tiene la responsabilidad de que todo el personal de operaciones y servicio lea y entienda este manual.

Manual de Funcionamiento y Esquema



0° Bobina Siding Clavadora
MODELO TG100CSN
tetragrip
SIDING

Pieza# 515400

