

Suction Hood - 1 600 A00 35Z - TG502

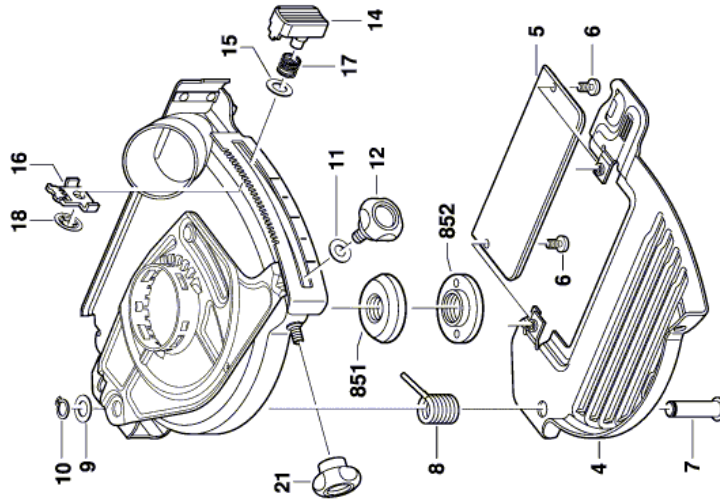
www.powertools-aftersaleservice.com



BOSCH

Item	Part Number	Description	Illustration	Price	Quantity	Price Group
4	1 605 500 297	Cover		1,-	1	-
5	3 600 150 030	Lens		1,-	1	21
6	2 914 411 412	Thread-forming tap. Screw		1,-	2	10
7	3 600 150 032	Bearing bolt		1,-	1	14
8	3 604 611 035	Coiled Spring		1,-	1	12
9	2 916 190 019	Shim ring		1,-	1	11
10	2 916 649 005	Spring retaining ring DIN471-8		1,-	1	10
11	2 916 011 014	Plain Washer DIN 125-A 6,4-ST		1,-	1	10
12	3 603 435 030	Tommy Screw M 6x13		1,-	1	18
14	3 603 239 002	Push-Button		1,-	1	17
15	2 916 190 019	Shim ring		1,-	1	11
16	3 601 023 014	Safety Catch		1,-	1	13
17	3 604 611 036	Compression Spring		1,-	1	11
18	3 600 240 008	Clamping Disc		1,-	1	12
21	3 603 435 031	Tommy Nut M5		1,-	1	15
851	1 600 A00 2TR	Flange nut		1,-	1	-
852	1 600 A00 2TP	Clamping Flange		1,-	1	-

Illustration - Type E



1 600 A00 35Z

Stand }
Issue } 17-09-28

Fig./Abb. 1

Änderungen vorbehalten
Modifications reserved
Modificacions reserves
Salvo modificaciones

Information subject to change without further notice.