

Repair Parts

Parts List for RIDGID Planer Model No. TP1300

RIDGID parts are available on-line at www.ridgidparts.com

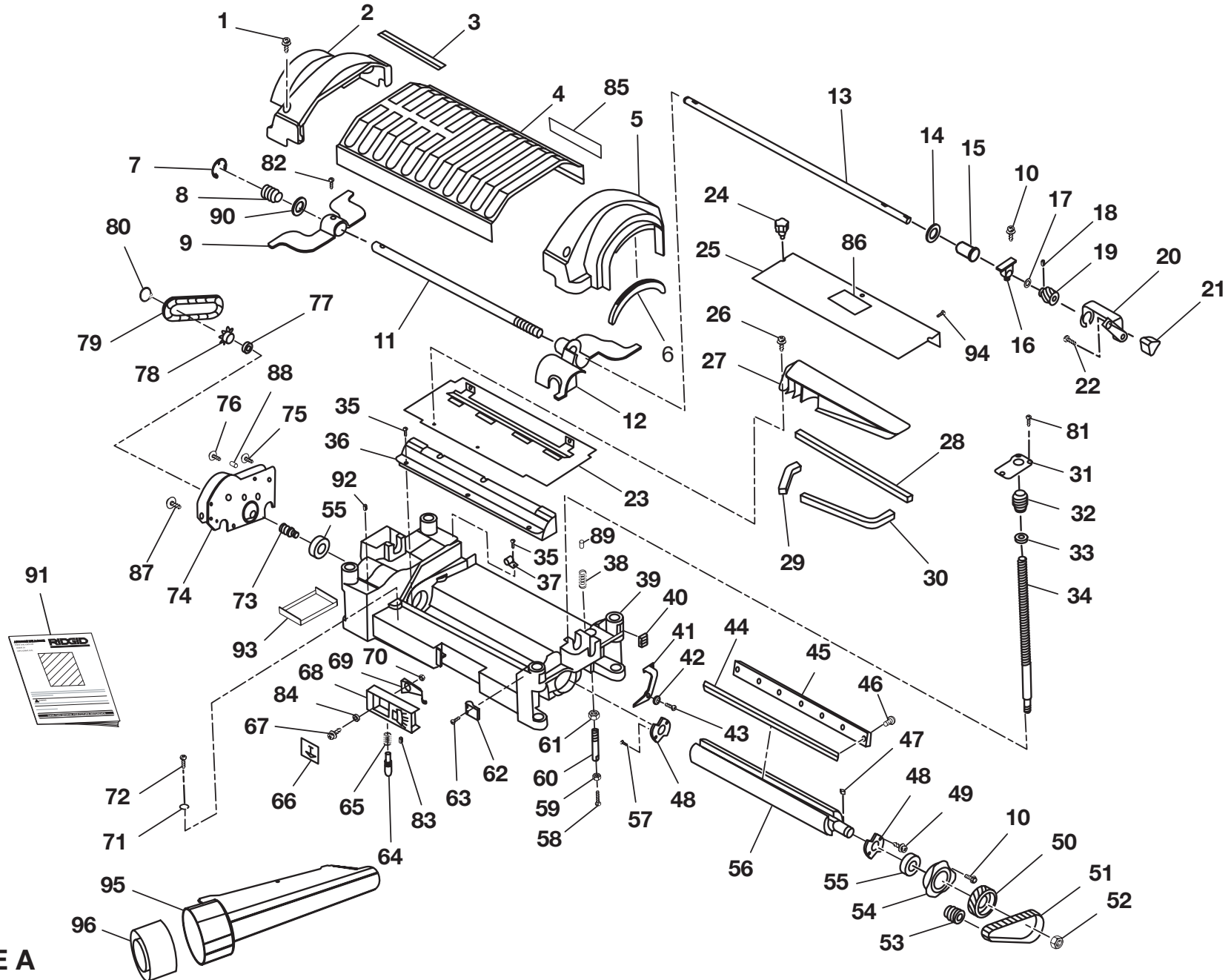


FIGURE A

Repair Parts

Parts List for RIDGID Planer Model No. TP1300

RIDGID parts are available on-line at www.ridgidparts.com

PARTS LIST FOR FIGURE A

Key No.	Part Number	Description	Quan.	Key No.	Part Number	Description	Quan.
1	828942	* SCREW WITH WASHER (M6 x 20 mm).....	4	24	827753	CHUTE KNOB	3
2	827681	CAP, LEFT	1	25	827745	SHROUD COVER	1
3	827713	LENGTH SCALE	1	26	828944	* SCREW WITH WASHER (M4 x 6 mm).....	2
4	827683	UPPER COVER.....	1	27	827697	AIR MANIFOLD.....	1
5	827682	CAP, RIGHT	1	28	827932	REAR GASKET	1
6	827741	UPPER PAD	2	29	827930	RIGHT GASKET	1
7	817453-1	RETAINING RING (C17)	1	30	827931	LEFT GASKET	1
8	827769	WORM GEAR, LEFT.....	1	31	827750	COVER	2
9	827720	LEFT PLATE LOCK	1	32	827770	WORM GEAR, RIGHT.....	1
10	828943	* SCREW (M5 x12mm HEX SOC CAP).....	3	33	827759	BUSHING	2
11	827717	SLEEVE.....	1	34	827768	ELEVATING SCREW, RIGHT.....	1
12	827719	RIGHT PLATE LOCK.....	1	35	820240-3	* SCREW (M5 x 6 mm PAN HD.).....	3
13	827726	TRANSMISSION SHAFT.....	1	36	827704	DUST CHUTE PLATE	1
14	827766	* WASHER (12.5 x 3 mm)	1	37	827767	CORD CLAMP	1
15	827724	* LOCK NUT (M17 x 2.0).....	1	38	827738	SPRING /PLUNGER	1
16	827754	SUPPORT	2	39	827678	UPPER FRAME.....	1
17	814596	* WASHER (M12.5 x 17 x 0.3).....	1	40	827725	SUPPORT BLOCK.....	4
18	821065-2	* SCREW (M5 x 0.8-8 SOC SET CUP).....	1	41	827751	CUTTER LOCK.....	1
19	827723	WORM ELEVATION	1	42	827737	CUTTER LOCK SPACER.....	1
20	827699	HANDLE.....	1	43	828027	* SCREW (M5 x 12 mm SOC HD).....	1
21	827716	SURE-CUT™ KNOB.....	1	44	827712	PLANER BLADE	2
22	820379-9	* SCREW WITH WASHER (M5 x 10 mm).....	1	45	827711	BLADE LOCK BAR	2
23	827695	DUST CHUTE	1	46	828791	SQUARE HEAD BOLTS	14

***STANDARD HARDWARE ITEM – MAY BE PURCHASED LOCALLY**

Repair Parts

Parts List for RIDGID Planer Model No. TP1300

RIDGID parts are available on-line at www.ridgidparts.com

PARTS LIST FOR FIGURE A

Key No.	Part Number	Description	Quan.	Key No.	Part Number	Description	Quan.
47	818654-9	KEY (5 x 12mm).....	1	72	820257-1	* SCREW (M5 x 0.8-8 PAN HD)	2
48	827714	BLADE COLLAR.....	2	73	827784	PINION GEAR	1
49	828948	* SCREW WITH WASHER (M4 x 8 mm).....	4	74	828677	GEAR BOX ASSEMBLY	1
50	827787	CUTTER HEAD PULLEY	1	75	828943-5	* SCREW WITH WASHER (M5 x 27 mm).....	2
51	827793	DRIVE BELT	1	76	828943-4	* SCREW WITH WASHER (M5 x 35 mm).....	3
52	827788	HEX NUT (M16 x 2.0), LEFT	1	77	827773	SPACER (15 x 20 x 7)	1
53	827789	MOTOR PULLEY.....	1	78	827772	SPROCKET.....	1
54	827786	BEARING RETAINER.....	1	79	827794	CHAIN.....	1
55	820722-5	BALL BEARING (6203ZZ).....	2	80	817453-4	RETAINING RING	1
56	827680	CUTTER HEAD ASSEMBLY	1	81	828027-1	* SCREW (M5 HEX HD.).....	6
57	813249-76	SPRING PIN (3 x 8 mm)	4	82	828027	* SCREW (M5 x 0.8-12 HEX HD.).....	1
58	821151-4	* SCREW (M5 x 0.8-26 HEX HD.)	1	83	821065-1	* SCREW (M5 x 0.8-5 SOC SETCUP PT).....	2
59	813164-6	* HEX NUT (M5 x 0.8)	1	84	827763	BUSHING (4.2 x 11 x 3).....	1
60	827729	ROD.....	1	85	827709	LABEL.....	1
61	827817	SPECIAL NUT (M10 x 1.5).....	1	86	827719	LABEL.....	1
62	827739	DEPTH INDICATOR.....	1	87	828943-3	* SCREW WITH WASHER (M5 x 30mm).....	1
63	820401-2	* SCREW (M3 x 16 mm PAN HD.).....	2	88	828681	PLUG	1
64	827733	POINTER ELEVATING ROD.....	1	89	828788	PLUNGER.....	1
65	827734	COIL SPRING (8.5 x 19 x 0.8)	1	90	827721	* WASHER.....	1
66	827746	POINTER COVER.....	1	91	983000316	OPERATOR'S MANUAL.....	1
67	828944-1	* SCREW WITH WASHER (M4 x 0.75-10)	1	92	821065-2	* SCREW (M5 X 0.8-8 SOC SETCUP PT)	1
68	827701	POINTER HOUSING.....	1	93	827783	GEAR BOX COVER.....	1
69	827732	POINTER	1	94	813312-6	* SCREW (M4 x 0.7 X 6mm PAN HD).....	2
70	827762	NUT	1	95	827858	VAC ADAPTOR (DUST CHUTE).....	1
71	813314-8	LOCKWASHER (M5).....	2	96	828714	VAC ADAPTOR PLUG	1
					983000-316R	REPAIR SHEET	
					07-13-06	(REV:05)	

***STANDARD HARDWARE ITEM - MAY BE PURCHASED LOCALLY**

Repair Parts

Parts List for RIDGID Planer Model No. TP1300

RIDGID parts are available on-line at www.ridgidparts.com

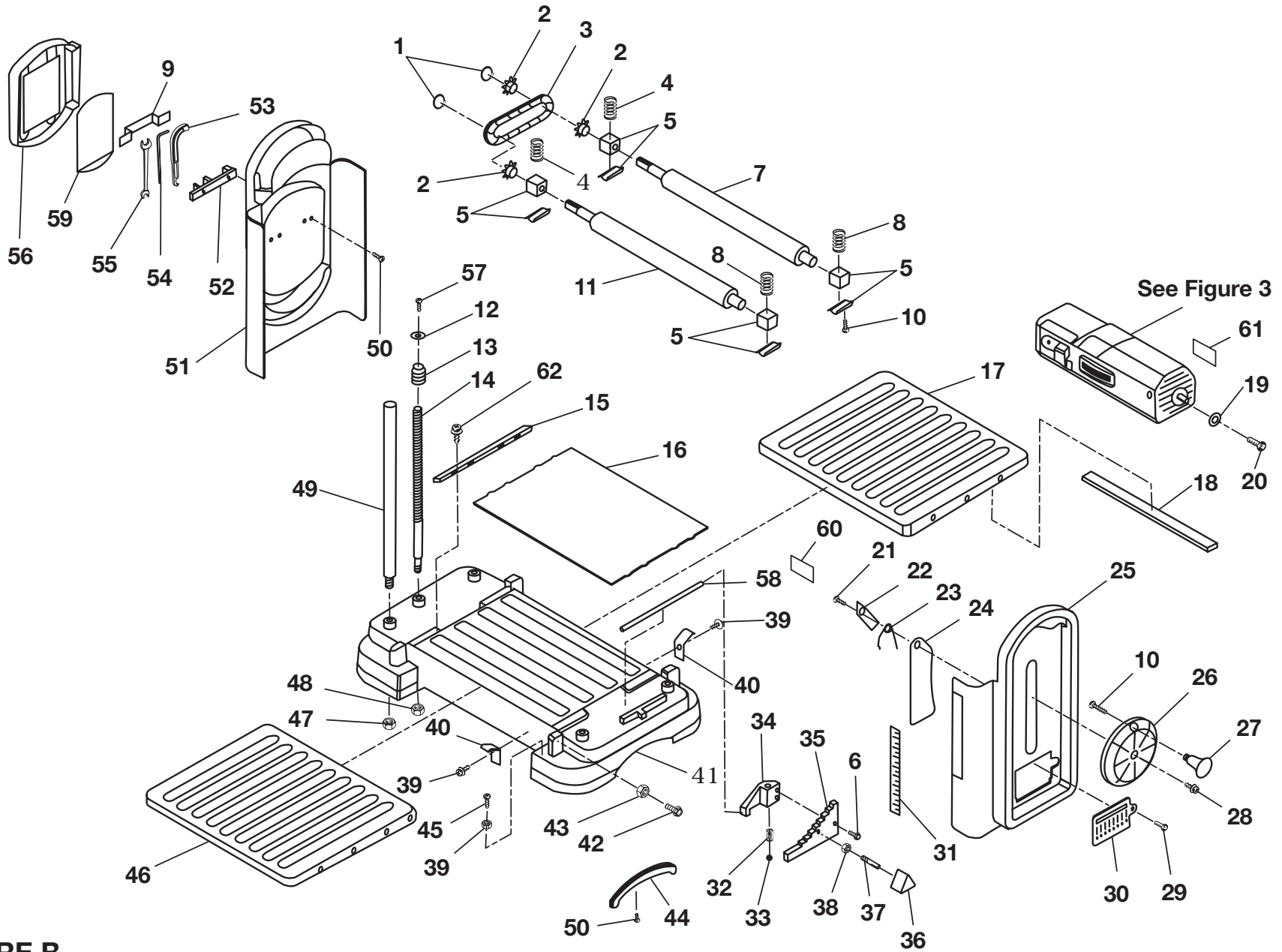


FIGURE B

Parts List for RIDGID Planer Model No. TP1300

RIDGID parts are available on-line at www.ridgidparts.com

PARTS LIST FOR FIGURE B

Key No.	Part Number	Description	Quan.	Key No.	Part Number	Description	Quan.
1	817453-4	RETAINING RING.....	2	32	827760	COIL SPRING (7.62 x 15.75 x 0.7).....	1
2	827772	SPROCKET.....	3	33	823742-1	STEEL BALL.....	1
3	827794	CHAIN.....	1	34	827698	GUARD BLOCK.....	1
4	827758	COIL SPRING, LEFT.....	2	35	827700	BLOCK.....	1
5	080033001634	FEED ROLLER BEARING BLOCKS AND RETAINER PLATES.....	1	36	827743	REPLANE INDICATOR.....	1
6	820379-2	* SCREW (M5 x 16 mm HEX SOC CAP).....	2	37	827730	BLOCK PIN.....	1
7	828938	OUTFEED ROLLER.....	1	38	813164-7	* HEX NUT (M6 x 1.5).....	2
8	827755	COIL SPRING, RIGHT.....	2	39	828945	* SCREW WITH WASHER (M5 x 0.8-10).....	1
9	13166-B	HOLDER.....	1	40	827736	FLAT SPRING.....	4
10	820379-9	* SCREW WITH WASHER (M5 x10 mm).....	8	41	827677	BASE.....	1
11	828939	INFEED ROLLER.....	1	42	827752	ADJUSTMENT BOLT.....	4
12	827765	* WASHER (5.5 x 19 x 2).....	1	43	827817	SPECIAL HEX NUT (M10 x 1.5).....	1
13	827722	WORM GEAR, LEFT.....	1	44	827742	BASE PAD.....	2
14	827735	ELEVATING SCREW, LEFT.....	1	45	821388-3	* SCREW (M6 x 1.0-25 HEX HD).....	4
15	827705	GUIDE RAIL.....	2	46	827685	INFEED TABLE.....	1
16	827694	WEAR PLATE.....	1	47	813164-10	* HEX NUT (M12 x 1.75).....	4
17	827688	OUTFEED TABLE.....	1	48	817449-4	LOCK NUT (M10 x 1.5).....	2
18	827764	BLADE STORAGE.....	1	49	827718	SUPPORT ROD.....	4
19	821063	* WASHER (M8 x 23 x 2).....	1	50	820257-1	* SCREW (M5 x 0.8-8 PAN HD).....	6
20	813310	* SCREW (M8 x 1.25-20 HEX HD).....	1	51	827684	SIDE COVER, LEFT.....	1
21	820257-3	* SCREW (M5 x 0.8-6 PAN HD).....	1	52	827771	TOOL HOLDER.....	1
22	827928	STIFFENER PLATE.....	1	53	827748	MAGNETIC BLADE WRENCH.....	1
23	827744	TORSION SPRING.....	1	54	827757	* HEX KEY (4mm).....	1
24	827731	SIDE GUARD PLATE.....	1	55	827756	WRENCH (M8 AND M10).....	1
25	827679	COVER, RIGHT SIDE.....	1	56	827686	TOOL STORAGE COVER.....	1
26	827696	HANDWHEEL.....	1	57	820379-1	* SCREW (M5 x 0.8-8 HEX SOC CAP).....	1
27	827749	HANDWHEEL KNOB.....	1	58	827728	PIVOT ROD.....	1
28	828943-2	* SCREW WITH WASHER (M5 x 16 mm).....	1	59	827816	KNIFE INSTRUCTIONS (159).....	1
29	827929	SCREW (M6 x 1.0-12 HEX HD).....	1	60	826489-16	NAME PLATE (155).....	1
30	827703	REPEAT-A-CUT™ SCALE.....	1	61	828468	KNIFE REMOVAL LABEL.....	1
31	827715	THICKNESS SCALE.....	1	62	828943-1	* SCREW WITH WASHER (M5 x 10 mm).....	8

*STANDARD HARDWARE ITEM – MAY BE PURCHASED LOCALLY

Parts List for RIDGID Planer Model No. TP1300

RIDGID parts are available on-line at www.ridgidparts.com

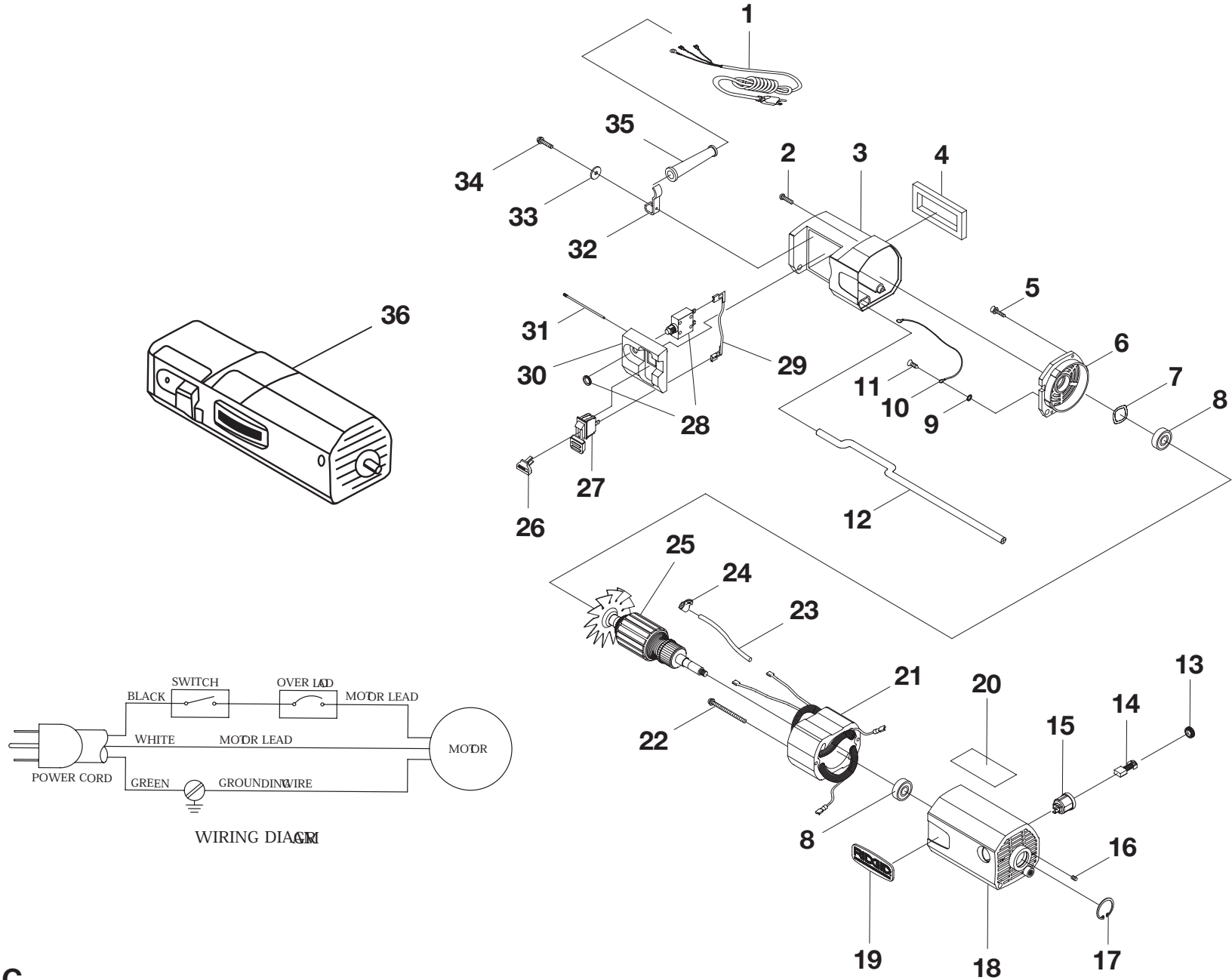


FIGURE C

Repair Parts

Parts List for RIDGID Planer Model No. TP1300

RIDGID parts are available on-line at www.ridgidparts.com

PARTS LIST FOR FIGURE C

Key No.	Part Number	Description	Quan.	Key No.	Part Number	Description	Quan.
1	827808	CORD WITH PLUG.....	1	19	826463-4	LOGO LABEL	1
2	820240-7	* SCREW (M5 x 0.8-20 PAN HD)	2	20	827820	MOTOR WARNING LABEL	1
3	827689	SWITCH HOUSING	1	21	827801	FIELD ASSEMBLY (INC. KEY NO. 23).....	1
4	827740	FOAM GASKET	1	22	828947	* SCREW WITH WASHER (M4.8 x 70 mm)	2
5	828946	* SCREW WITH WASHER (M4.2 x 20 mm)	4	23	827706	SLEEVE	1
6	827707	MOTOR END CAP	1	24	827767	CORD CLAMP	1
7	820510-6	WAVY WASHER	1	25	827803	ARMATURE ASSEMBLY (INC. KEY NO. 8) ..	1
8	820722-3	BALL BEARING (6201LLB).....	2	26	829786	SWITCH KEY.....	1
9	813314-8	LOCK WASHER.....	1	27	829785	SWITCH.....	1
10	827812	LEAD	1	28	827806	RESET SWITCH (INC. NUT)	1
11	820257-1	* SCREW (M5 x 8 mm).....	1	29	13M33A	LEAD (80 mm)	1
12	827807	PIVOT MOTOR ROD	1	30	827708	SWITCH BEZEL.....	1
13	827810	BRUSH CAP	2	31	827797	SPECIAL SCREW.....	1
14	827811	BRUSH	2	32	827798	CORD CLAMP.....	1
15	827809	BRUSH HOLDER (INC. BRUSHES)	2	33	827765	* WASHER (M5.5 x 19.2 mm)	1
16	821065-3	* SCREW (M5 x 12 mm HEX SOC SET)	2	34	828945-1	* SCREW WITH WASHER (M5 x 30 mm)	1
17	826551-1	RETAINING RING	1	35	827799	CORD GUARD	1
18	827690	MOTOR HOUSING.....	1	36	827691	MOTOR AND SWITCH ASSEMBLY	1

*STANDARD HARDWARE ITEM – MAY BE PURCHASED LOCALLY

Parts List for RIDGID Planer Model No. TP1300

RIDGID parts are available on-line at www.ridgidparts.com

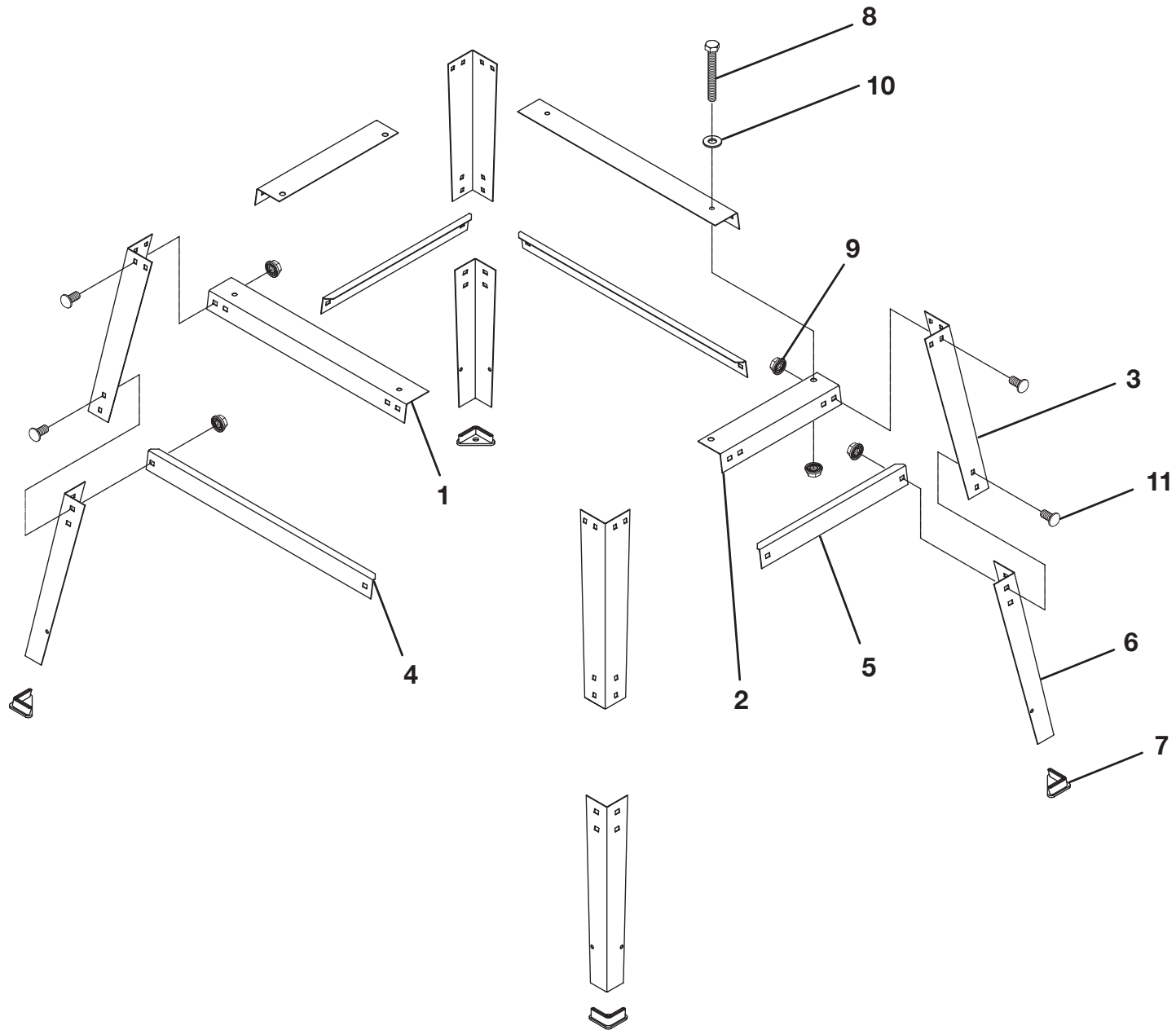


FIGURE D

Parts List for RIDGID Planer Model No. TP1300

RIDGID parts are available on-line at www.ridgidparts.com

PARTS LIST FOR FIGURE D

Key No.	Part Number	Description	Quan.	Key No.	Part Number	Description	Quan.
1	829635	UPPER BRACE, LONG	2	7	829632	FOOT	4
2	829636	UPPER BRACE, SHORT	2	8	813310-10	* SCREW (M8 x1.25-65 HEX)	4
3	829634	UPPER LEG.....	4	9	829631	* FLANGED HEX NUT (M8 x 1.25).....	36
4	829637	LOWER BRACE, LONG.....	2	10	821063-2	* WASHER (M8 x 16 x 1.6).....	4
5	829638	LOWER BRACE, SHORT.....	2	11	821103	* CARRIAGE BOLT (M8 x 1.25).....	32
6	829633	LOWER LEG	4	12	829626	LEG STAND ASSEMBLY (INCLUDES KEY NUMBERS 1-11	1

***STANDARD HARDWARE ITEM – MAY BE PURCHASED LOCALLY**