

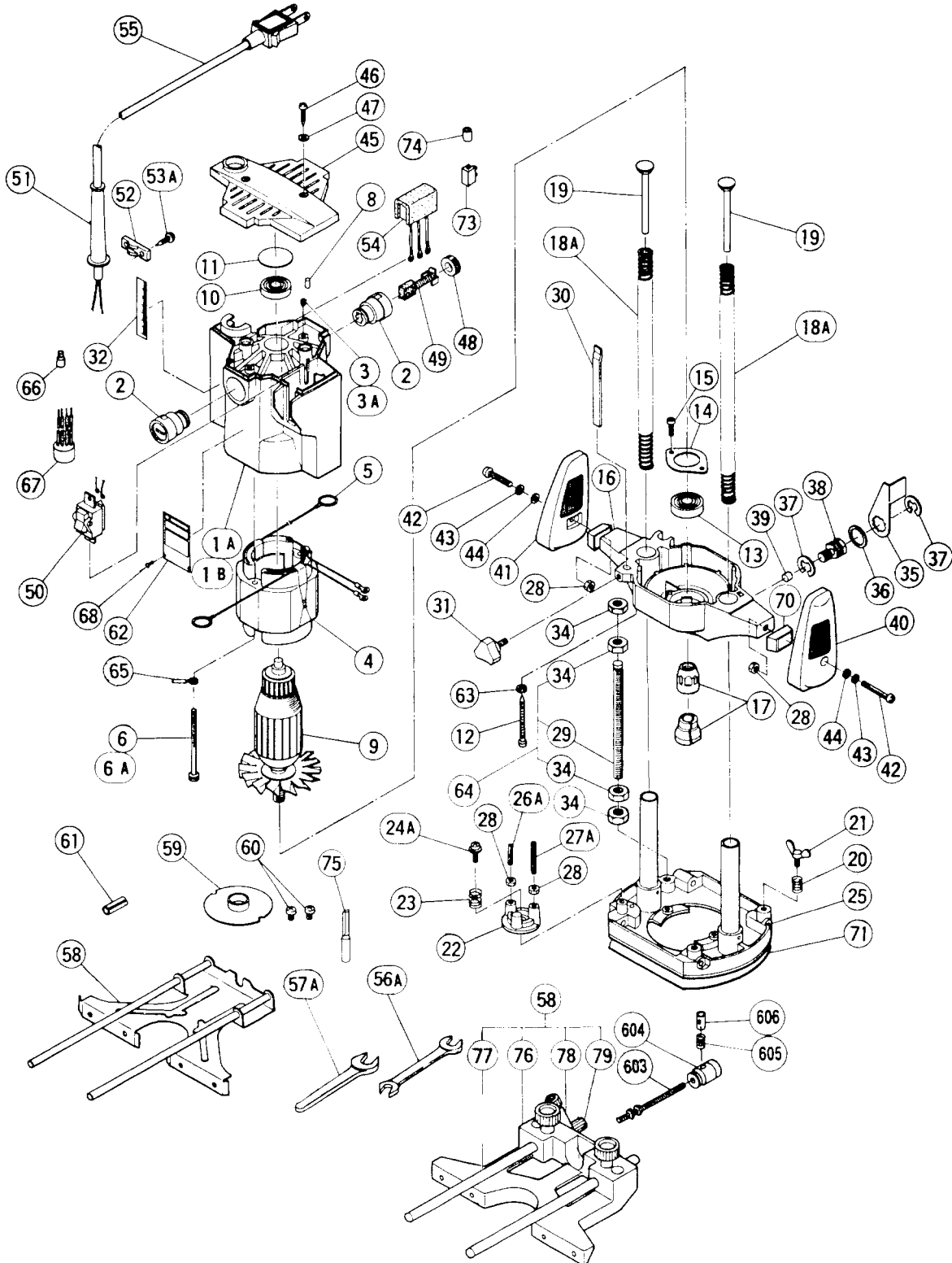
ELECTRIC TOOL PARTS LIST

■ TRIMMER

Model TR - 8

1993 · 9 · 3

(E9)



PARTS

TR-8

ITEM NO.	CODE NO.	DESCRIPTION	NO. USED	REMARKS
* 1A	971-869Z	HOUSING ASS'Y	1	FOR PILLAR TYPE SWITCH INCLUD.2,3A
* 1A	971-876	HOUSING ASS'Y	1	INCLUD.2,3A FOR AUT
* 1B	971-830Z	HOUSING ASS'Y	1	FOR SCREW TYPE SWITCH INCLUD.2,3A,6A
* 2	958-900	BRUSH HOLDER	2	
* 2	981-586	BRUSH HOLDER	2	FOR AUT
3	949-365	SLOTTED HD. SET SCREW M4X5 (10 PCS.)	2	TILL 10.1985
3A	938-477	HEX. SOCKET SET SCREW M5X8	2	SINCE 11.1985
* 4	971-832C	STATOR ASS'Y 110V - 115V	1	INCLUD.5
* 4	971-832D	STATOR ASS'Y 120V - 127V	1	INCLUD.5
* 4	971-832E	STATOR ASS'Y 220V - 230V	1	INCLUD.5
* 4	971-832F	STATOR ASS'Y 240V	1	INCLUD.5
* 4	971-870N	STATOR ASS'Y 220V - 230V	1	INCLUD.5 FOR DEN.FIN.SWE.NOR
* 4	971-870L	STATOR ASS'Y 220V - 230V	1	INCLUD.5 FOR AUT
* 4	971-832G	STATOR ASS'Y 230V	1	INCLUD.5 FOR NZL
* 4	971-870M	STATOR ASS'Y 240V	1	INCLUD.5 FOR GBR
* 4	971-870J	STATOR ASS'Y 110V	1	INCLUD.5 FOR GBR
5	930-703	BRUSH TERMINAL	2	
6	971-861	BOLT (+HD.) M5X53	2	TILL 12.1986
6A	961-501	HEX. HD. TAPPING SCREW D5X60	2	SINCE 1.1987
8	931-701	BEARING LOCK	1	
* 9	971-834U	ARMATURE ASS'Y 110V - 115V	1	INCLUD.10,13
* 9	971-834D	ARMATURE 120V - 127V	1	
* 9	971-834E	ARMATURE 220V - 230V	1	
* 9	971-834F	ARMATURE 240V	1	
10	608-VVM	BALL BEARING 608VVMC2EPS2L	1	
11	971-835	BEARING SEAL	1	
12	955-912	TAPPING SCREW D5X45	4	
13	620-0VV	BALL BEARING 6200VVCMP2S	1	
14	971-836	BEARING COVER	1	
15	949-217	MACHINE SCREW M4X12 (10 PCS.)	2	
16	971-837	END BRACKET	1	
* 17	971-838	COLLET CHUCK 8MM	1	
* 17	971-857Z	COLLET CHUCK 6.35MM	1	
* 17	971-877	COLLET CHUCK (A) 6.35MM	1	FOR USA
18A	971-853	SPRING	2	
19	971-839	SPRING GUIDE	2	
20	947-859	LOCK SPRING	2	
21	956-924	WING BOLT M6X15	2	
22	971-840	STOPPER BLOCK	1	
23	971-858	SPRING (A)	1	
24A	997-465	SELF TAPPING SCREW (W/WASHER) D4X12	1	
25	971-841	BASE ASS'Y	1	INCLUD.71
26A	998-380	HEX. SOCKET SET SCREW M5X20	1	
27A	998-381	HEX. SOCKET SET SCREW M5X35	1	
28	949-555	NUT M5 (10 PCS.)	4	
29	971-843	SCREW M8	1	
30	971-844	STOPPER POLE	1	
31	958-573	KNOB SCREW M5	1	
* 32	956-785	SCALE (MM)	1	
* 32	956-775P	SCALE (INCH)	1	FOR USA
34	949-568	LOCK NUT M8 (10 PCS.)	4	

*: ALTERNATIVE PARTS

PARTS

ITEM NO.	CODE NO.	DESCRIPTION	NO. USED	REMARKS	
35	956-786	LOCK LEVER	1		
36	971-846	WAVE WASHER	1		
37	670-514	RETAINING RING (E - TYPE) FOR D10 SHAFT	2		
38	971-847	LOCK SCREW	1		
39	971-848	LOCK PIECE	1		
40	956-777	HANDLE (R)	1		
41	956-776	HANDLE (L)	1		
42	949-247	MACHINE SCREW M5X35 (10 PCS.)	2		
43	949-454	SPRING WASHER M5 (10 PCS.)	2		
44	949-424	WASHER M5 (10 PCS.)	2		
45	971-849	TOP COVER	1		
46	956-384	TAPPING SCREW D4X20	2		
47	949-423	WASHER M4 (10 PCS.)	2		
*	48	945-161	BRUSH CAP	2	
*	48	961-781	BRUSH CAP	2	FOR AUT
	49	999-043	CARBON BRUSH (1 PAIR)	2	
*	50	956-789	SWITCH (2P SCREW TYPE)	1	
*	50	960-118Z	SWITCH (2P PILLAR TYPE)	1	
	51	938-051	CORD ARMOR D10.1	1	
	52	937-631	CORD CLIP	1	
	53A	984-750	TAPPING SCREW (W/FLANGE) D4X16	2	
*	54	994-273	NOISE SUPPRESSOR	1	
*	55	500-201Z	CORD	1	(CORD ARMOR D10.1) W/O TERMINAL FOR ASI
*	55	500-223Z	CORD	1	(CORD ARMOR D10.1) W/O TERMINAL FOR SIN
*	55	500-226Z	CORD	1	(CORD ARMOR D10.1) W/O TERMINAL FOR OCEANIA
*	55	500-231Z	CORD	1	(CORD ARMOR D10.1) W/O TERMINAL, PLUG FOR GBR, SAF
*	55	500-234Z	CORD	1	(CORD ARMOR D10.1) W/O TERMINAL FOR EUROPE
*	55	500-420Z	CORD	1	(CORD ARMOR D10.1) FOR SAU (127V)
*	55	500-423Z	CORD	1	(CORD ARMOR D10.1) FOR SAU (220V)
	56A	971-859	WRENCH 8/13MM	1	
	57A	879-055	WRENCH 17MM	1	
*	58	971-851	PARALLEL GUIDE	1	
*	58	971-620	STRAIGHT GUIDE (A) ASS'Y	1	INCLUD.76 - 79 FOR FRA,SUI
	59	956-790	TEMPLATE GUIDE D18	1	
	60	949-234	MACHINE SCREW M5X6 (10 PCS.)	2	
*	61	971-854	CHUCK SLEEVE 8X6.35	1	FOR 8MM COLLET CHUCK
*	62		NAME PLATE	1	
	63	949-454	SPRING WASHER M5 (10 PCS.)	4	
	64	971-863Z	SCREW ASS'Y	1	INCLUD.29,34
*	65		INTERNAL WIRE	1	
*	66	959-142	CONNECTOR 50096 (10 PCS.)	2	
*	67	971-871Z	CHOKE COIL	1	INCLUD.5 FOR NZL
*	68	949-509	RIVET D2.5X3.2 (10 PCS.)	4	FOR USA
*	70	971-875Z	RUBBER COVER	2	TILL 8.1986 FOR FIN,SWE,NOR
*	71	971-872	SUB BASE	1	
*	73	938-307Z	PILLAR TERMINAL	1	

*: ALTERNATIVE PARTS

OPTIONAL ACCESSORIES

TR-8

ITEM NO.	CODE NO.	DESCRIPTION	NO. USED	REMARKS
601	971 - 852	CHUCK SLEEVE 8X6	1	FOR 8MM COLLET CHUCK
602	971 - 864	FEED SCREW	1	INCLUD.603 - 606
603	971 - 860	ROD	1	
604	971 - 865	FEED SCREW	1	
605	947 - 859	LOCK SPRING	1	
606	971 - 868	BUTTON	1	
607	971 - 867Z	FEED SCREW (A) ASS'Y	1	INCLUD.604 - 606
608	971 - 868	TRIMMER GUIDE	1	
609	971 - 873	CEMEDINE (ADHESIVE)	1	
* 610	956 - 756	TEMPLATE GUIDE ADAPTER	1	FOR USA,CAN
611	956 - 933	TEMPLATE GUIDE D27	1	
612	997 - 466	DUST COLLECTION ADAPTER SET	1	INCLUD.613,614
613	997 - 467	KNOB NUT	2	
614	949 - 237	MACHINE SCREW M5X12 (10 PCS.)	2	
615	956 - 802	DOUBLE FLUSH TRIMMING BIT (TCT) D8X8	1	
616	956 - 805	FLUSH TRIMMING BIT (TCT) D8X8	1	
617	956 - 808	STRAIGHT BIT (TCT) D8X8	1	
618	956 - 816	DOVETAIL BIT (TCT) D8X15	1	
619	956 - 801	DOUBLE FLUSH TRIMMING BIT (TCT) D6X6	1	
620	956 - 804	FLUSH TRIMMING BIT (TCT) D6X6	1	
621	956 - 807	STRAIGHT BIT (TCT) D6X6	1	
622	960 - 117	ROUND OVER BIT (TCT) D6XR6X20	1	
623	956 - 814	CHAMFERING BIT (TCT) 45 ° D8X20	1	
624	956 - 815	DOVETAIL BIT (TCT) D6X12	1	
625	959 - 025	CHAMFERING BIT (TCT) 80 ° W/BEARING D6X20	1	
626	959 - 026	FLUSH TRIMMING BIT (TCT) W/BEARING D6X10	1	
627	959 - 027	RABBETING BIT (TCT) W/BEARING D6X26	1	
628	959 - 028	CHAMFERING BIT (TCT) 45 ° W/BEARING D6X20	1	
629	959 - 029	CHAMFERING BIT (TCT) 45 ° W/BEARING D6X26	1	
630	959 - 030	ROUND OVER BIT (TCT) W/BEARING D6XR6X21	1	
631	959 - 031	ROUND OVER BIT (TCT) W/BEARING D6XR9X26	1	
632	959 - 032	COVE BEARING BIT (TCT)W/BEARING D6XR6X20	1	
633	959 - 033	COVE BEARING BIT (TCT)W/BEARING D6XR9X26	1	
634	959 - 034	COVE BEARING BIT (TCT)W/BEARING D6XR3X20	1	
635	959 - 035	COVE BEARING BIT (TCT)W/BEARING D6XR5X26	1	
636	959 - 036	COVE BEARING BIT(TCT)W/BEARING D6R4X20.5	1	
637	959 - 037	COVE BEARING BIT (TCT)W/BEARING D6XR6X26	1	
638	959 - 038	CHAMFERING BIT (TCT) W/BEARING D6X20	1	
639	959 - 039	CHAMFERING BIT (TCT) W/BEARING D6X26	1	
640	959 - 040	ROUND OVER BIT (TCT)W/BEARING D6XR3.5X20	1	
641	959 - 041	ROUND OVER BIT (TCT)W/BEARING D6XR6.5X26	1	
642	959 - 042	ROUND OVER BIT (TCT)W/BEARING D6XR8X20.5	1	
643	959 - 043	ROUND OVER BIT (TCT) W/BEARING D6XR9X26	1	
644	959 - 044	ROMAN OGEE BIT (TCT)W/BEARING D6XR4.5X20	1	
645	959 - 045	ROMAN OGEE BIT (TCT) W/BEARING D6XR6X26	1	
646	959 - 048	DOVETAIL BIT (TCT) W/BEARING D6X15	1	
647	959 - 049	BEARING SET R1030 FOR TRIMMING BIT	1	
648	959 - 050	BEARING SET R830 FOR TRIMMING BIT	1	

ALTERNATIVE PARTS

