

RYOBI
10 in. COMPOUND MITER SAW
MODEL NO. TS1345L
REPAIR SHEET

RYOBI 10 in. COMPOUND MITER SAW – MODEL NUMBER TS1345L

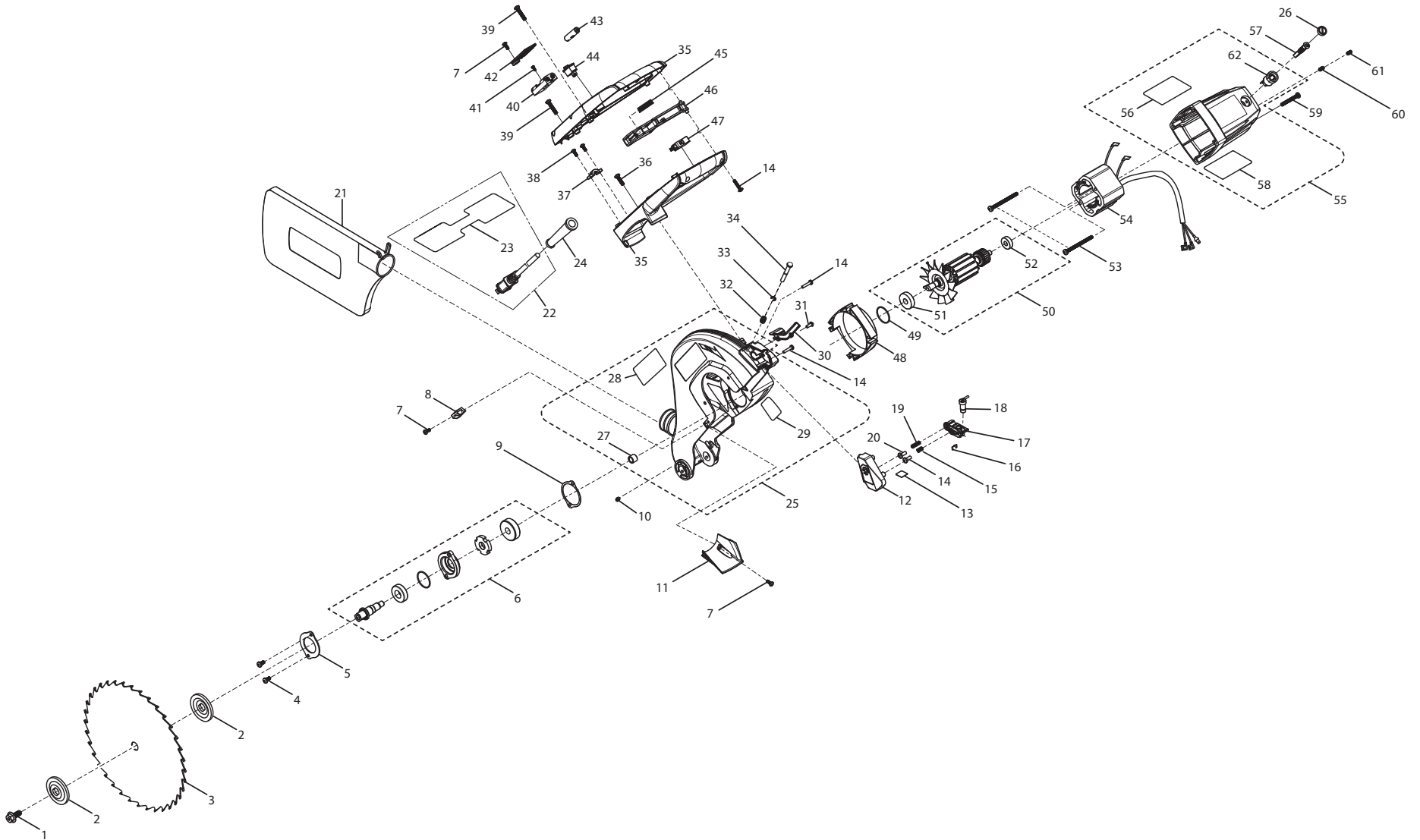


FIGURE A

RYOBI 10 in. COMPOUND MITER SAW – MODEL NUMBER TS1345L

The model number will be found on a label attached to the motor housing. Always mention the model number in all correspondence regarding your **MITER SAW** or when ordering repair parts.

FIGURE A PARTS LIST

| KEY NO. | PART NUMBER | DESCRIPTION | QTY | KEY NO. | PART NUMBER | DESCRIPTION | QTY |
|---------|--------------|---|-----|---------|--------------|--|-----|
| 1 | 089006017064 | Blade Bolt | 1 | 32 | 089006017103 | Spring..... | 1 |
| 2 | 089006017043 | Blade Washer..... | 2 | 33 | 089006017104 | E-Ring | 1 |
| 3 | 089006017044 | Blade..... | 1 | 34 | 089006017102 | Pin..... | 1 |
| 4 | 089006017107 | Screw (M5 x 20 mm, Pan Hd.)..... | 2 | 35 | 089041009706 | D-Handle Assembly | 1 |
| 5 | 089006017101 | Bearing Cover | 1 | 36 | 089006017052 | Screw (M5 x 15 mm, Pan Hd.) | 1 |
| 6 | 089006017704 | Spindle Assembly | 1 | 37 | 089006017062 | Cord Clamp..... | 1 |
| 7 | 089006017015 | Screw (M4 x 10 mm, Pan Hd.)..... | 3 | 38 | 089006017061 | Screw (M4 x 12 mm, Rd. Hd.)..... | 2 |
| 8 | 089006017117 | Guard Stop Block | 1 | 39 | 089006017057 | Screw (M5 x 20 mm, Pan Hd.)..... | 4 |
| 9 | 089006017108 | Seal | 1 | 40 | 089006017060 | Battery Compartment | 1 |
| 10 | 089006017047 | Set Screw (M5 x 8 mm)..... | 2 | 41 | 089006017059 | Screw (M3 x 8 mm, Rd. Hd.)..... | 1 |
| 11 | 089006017046 | Dust Cover | 1 | 42 | 089041009009 | Battery Compartment Cover..... | 1 |
| 12 | 089041013007 | Laser Cap..... | 1 | 43 | 089006017070 | AAA Battery..... | 2 |
| 13 | 089041013008 | Laser Plate | 1 | 44 | 089006017056 | Laser Switch | 1 |
| 14 | 089006017051 | Screw (M4 x 16 mm, Rd. Hd.)..... | 4 | 45 | 089006017069 | Trigger Spring..... | 1 |
| 15 | 089041013009 | Spring..... | 1 | 46 | 089041009007 | Switch Actuator..... | 1 |
| 16 | 089041013010 | Laser Hook..... | 1 | 47 | 089006017053 | Switch | 1 |
| 17 | 089041013011 | Laser Bracket..... | 1 | 48 | 089006017084 | Baffle..... | 1 |
| 18 | 089041013012 | Laser | 1 | 49 | 089006017094 | O-Ring..... | 1 |
| 19 | 089041013013 | Spring..... | 1 | 50 | 089006017710 | Armature Assembly (Incl. Key Nos. 51-52) | 1 |
| 20 | 089041013014 | Screw (M4 x 25 mm) | 1 | 51 | 089006017085 | Ball Bearing (6200LLU 2RS C3)..... | 1 |
| 21 | 089006017063 | Dust Bag Assembly..... | 1 | 52 | 089006017086 | Ball Bearing (608LLU) | 1 |
| 22 | 089006017048 | Power Cord Assembly (Incl. Key No. 23)..... | 1 | 53 | 089006017087 | Screw w/Washer (M5 x 65 mm, Pan Hd.) | 2 |
| 23 | 080006014904 | Warning Label | 1 | 54 | 089006017702 | Field Assembly..... | 1 |
| 24 | 089006017049 | Bend Relief..... | 1 | 55 | 089041009708 | Motor Housing Assembly..... | 1 |
| 25 | 089041013702 | Arm Assembly (Incl. Key Nos. 27-29) | 1 | 56 | 089041013901 | Data Label..... | 1 |
| 26 | 089006017093 | Brush Cap | 2 | 57 | 089006017092 | Brush..... | 2 |
| 27 | 089006017105 | Needle Bearing | 1 | 58 | 080006014902 | Warning Label (Motor)..... | 1 |
| 28 | 089041009904 | Logo Label (Large) | 1 | 59 | 089006017089 | Screw w/Washer (M5 x 40 mm, Pan Hd.) | 1 |
| 29 | 080006014908 | Warning Label | 1 | 60 | 089006017106 | Set Screw (M5 x 5 mm)..... | 2 |
| 30 | 089041013005 | Wire Cap | 1 | 61 | 089006017090 | Set Screw (M5 x 8 mm)..... | 2 |
| 31 | 089041013006 | Screw (M4 x 10 mm)..... | 2 | 62 | 089006017091 | Brush Holder..... | 2 |

RYOBI 10 in. COMPOUND MITER SAW – MODEL NUMBER TS1345L

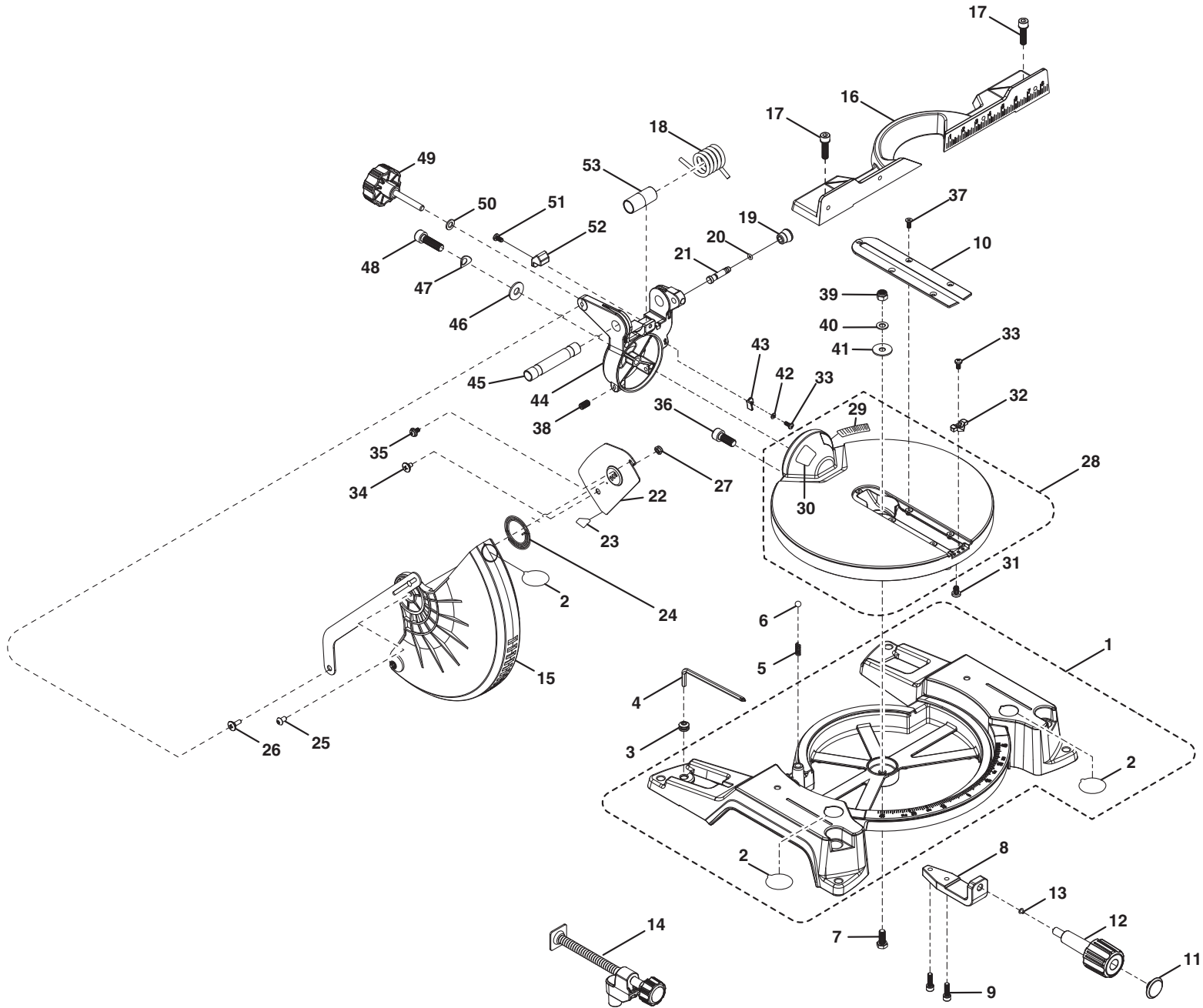


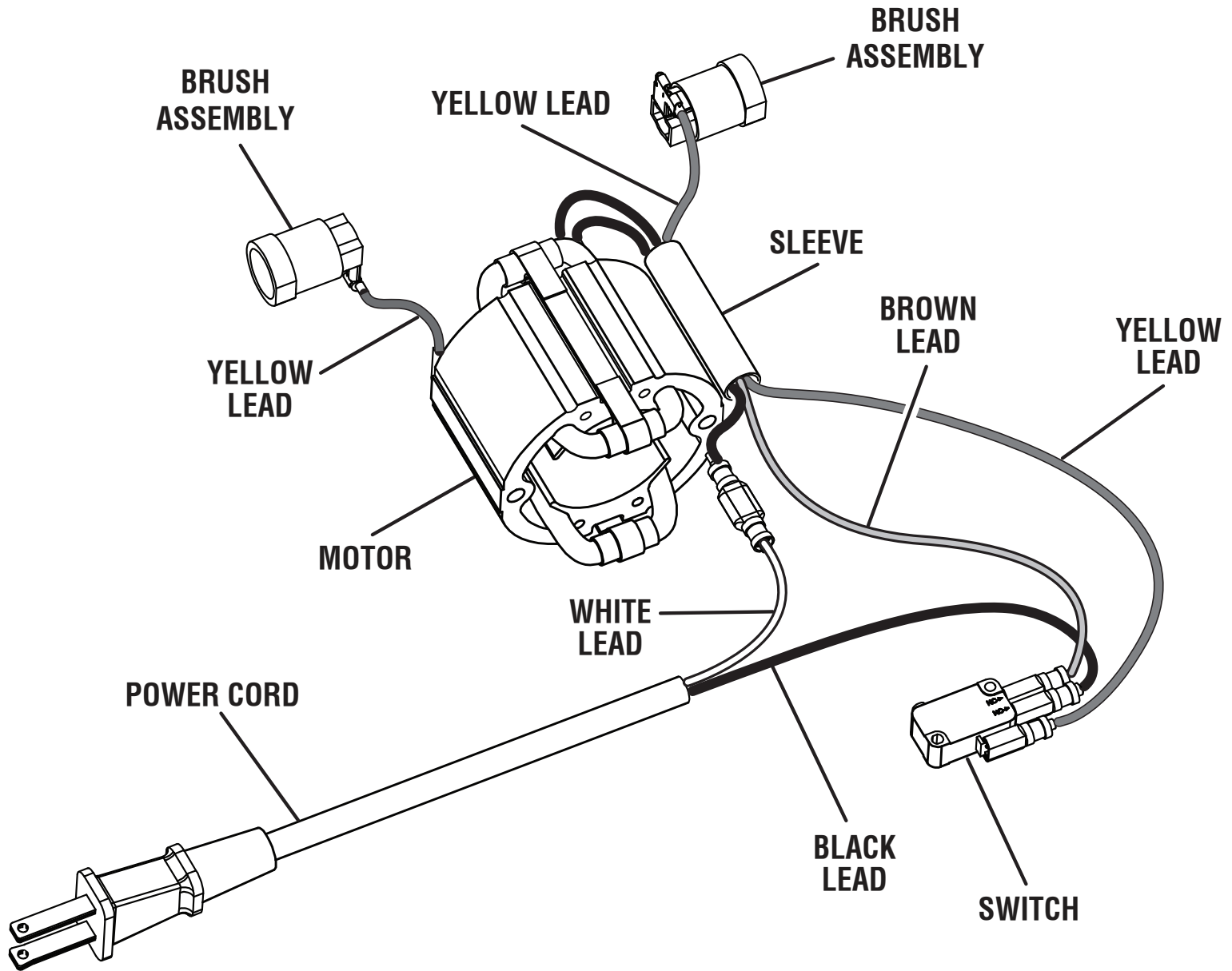
FIGURE B

RYOBI 10 in. COMPOUND MITER SAW – MODEL NUMBER TS1345L

The model number will be found on a label attached to the motor housing. Always mention the model number in all correspondence regarding your **MITER SAW** or when ordering repair parts.

FIGURE B PARTS LIST

| KEY NO. | PART NUMBER | DESCRIPTION | QTY | KEY NO. | PART NUMBER | DESCRIPTION | QTY |
|---------|--------------|--|-----|--------------------|--------------|--|-----|
| 1 | 089041009704 | Base Assembly (Incl. Key No. 2) | 1 | 29 | 089041009902 | Bevel Scale Label..... | 1 |
| 2 | 089100207097 | No Hands Label | 3 | 30 | 080006014903 | Laser Aperature Warning Label..... | 1 |
| 3 | 089006017008 | Blade Wrench Storage Area..... | 1 | 31 | 089006017012 | Turping Pad (Table)..... | 8 |
| 4 | 089006017009 | Blade Wrench..... | 1 | 32 | 089041009014 | Scale Indicator | 1 |
| 5 | 089006017010 | Compression Spring | 1 | 33 | 089006017015 | Screw (M4 x 10 mm, Pan Hd.) | 2 |
| 6 | 089006017011 | Steel Ball | 1 | 34 | 089006017040 | Screw (M5, Special) | 1 |
| 7 | 089006017007 | Screw (M8 x 20 mm, Hex. Hd.)..... | 1 | 35 | 089006017041 | Screw (M4 x 10 mm, Cheese Hd.) | 1 |
| 8 | 089006017005 | Lever | 1 | 36 | 089006017039 | Screw (M10 x 10 mm, Hex Soc. Hd.)..... | 1 |
| 9 | 089006017006 | Screw w/Washer | 2 | 37 | 089006017017 | Screw (M4 x 8 mm)..... | 5 |
| 10 | 089041009004 | Throat Plate..... | 1 | 38 | 089006017038 | Set Screw (M8 x 15 mm, Pan Hd.)..... | 2 |
| 11 | 089041009003 | End Cap | 1 | 39 | 089006017021 | Lock Nut (M8)..... | 1 |
| 12 | 089041009002 | Miter Lock Handle..... | 1 | 40 | 089006017020 | Washer (D8 x D16 x 1.5t) | 1 |
| 13 | 089006017004 | Lock Bushing | 1 | 41 | 089006017071 | Washer (D8.25 x D21.9 x 1.5t) | 1 |
| 14 | 089041009702 | Work Clamp Assembly..... | 1 | 42 | 089006017066 | Washer (D4 x D8 x 1t) | 1 |
| 15 | 080016005704 | Lower Blade Guard Assembly (Incl. Key No. 2)..... | 1 | 43 | 089041009015 | Bevel Indicator | 1 |
| 16 | 089041009005 | Fence | 1 | 44 | 089006017037 | Knuckle | 1 |
| 17 | 089006017018 | Screw w/Washer (M8 x 30 mm, Hex Soc. Hd.)..... | 2 | 45 | 089006017036 | Pivot Pin..... | 1 |
| 18 | 089006017029 | Torsion Spring | 1 | 46 | 089006017035 | Washer (D10 x D26 x 2t) | 1 |
| 19 | 089006017116 | Pin Housing..... | 1 | 47 | 089006017068 | Arc Washer (D10) | 1 |
| 20 | 089006017027 | O-Ring..... | 1 | 48 | 089006017034 | Screw (Hex Soc. Hd.)..... | 1 |
| 21 | 089006017026 | Lock Pin | 1 | 49 | 089041009016 | Bevel Lock Knob..... | 1 |
| 22 | 089041013001 | Cap (Internal)..... | 1 | 50 | 089006017032 | Washer (D8 x D16 x 2t) | 1 |
| 23 | 089100207051 | Blade Label | 1 | 51 | 089006017022 | Screw (M5 x 10 mm, Pan Hd.) | 2 |
| 24 | 089006017074 | Torsion Spring (Blade Guard)..... | 1 | 52 | 089006017031 | Positioning Block | 1 |
| 25 | 089041013004 | Screw (M6 x 12 mm) | 1 | 53 | 089006017030 | Spacer..... | 1 |
| 26 | 089006017042 | Screw (M6, Special) | 1 | NOT SHOWN : | | | |
| 27 | 089006017081 | Hex Nut (M6)..... | 1 | 99000892 | | Operator's Manual (089041013903) | |
| 28 | 089041009013 | Miter Table Assembly (Incl. Key Nos. 29-30) | 1 | 9-29-15 | | | |
| | | | | (Rev:02) | | | |



WIRING DIAGRAM