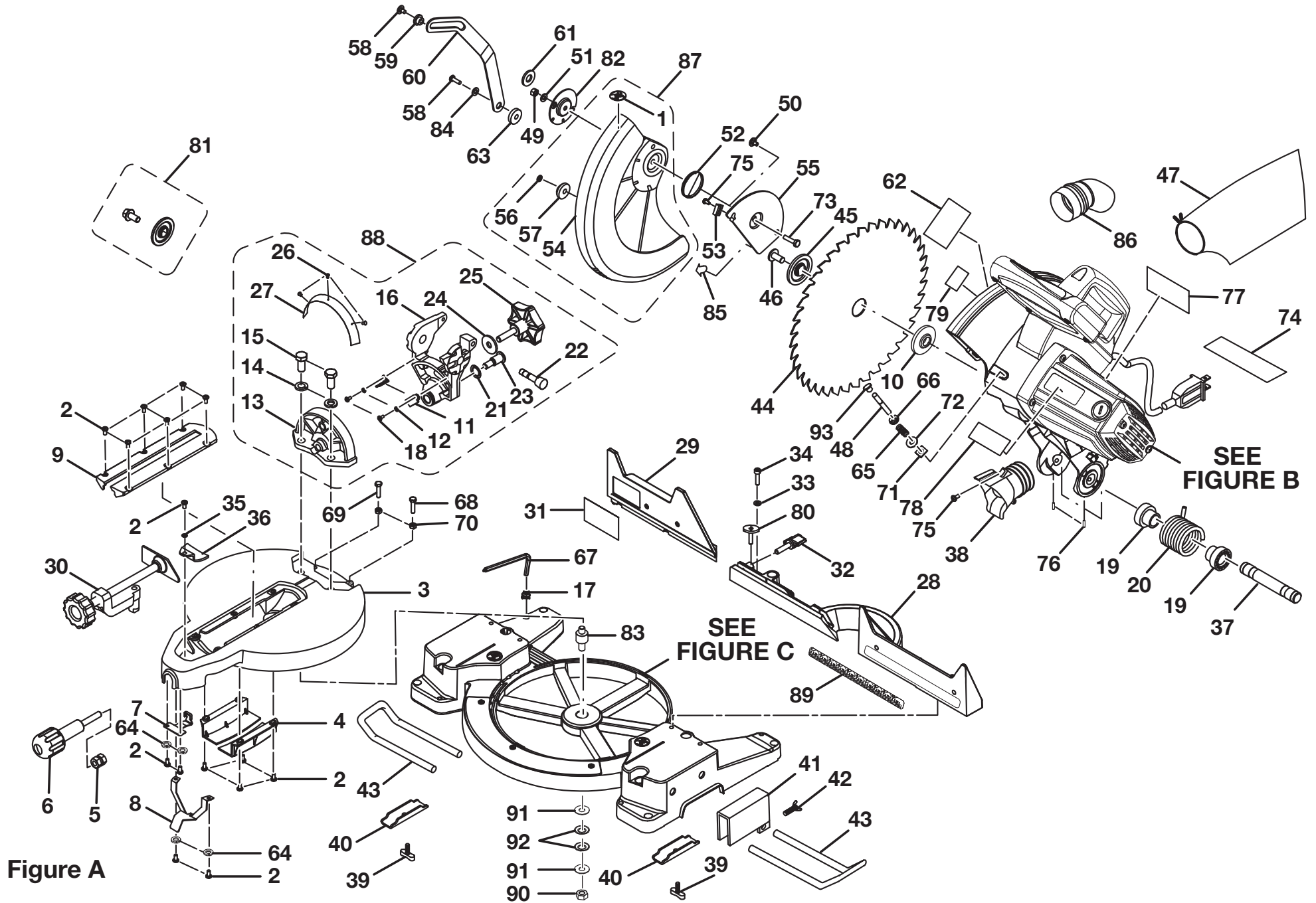


RYOBI 12 in. MITER SAW - MODEL NUMBERS TS1553 and TS1553DXL



RYOBI 12 in. MITER SAW – MODEL NUMBERS TS1553 and TS1553DXL

The model number will be found on a label attached to the motor housing. Always mention the model number in all correspondence regarding your **MITER SAW** or when ordering repair parts.

PARTS LIST (FIGURE A)

KEY NO.	PART NUMBER	DESCRIPTION	QTY	KEY NO.	PART NUMBER	DESCRIPTION	QTY
1	089100302007	Warning Label (No Hands)	1	28	089100308001	Fence (TS1553)	1
2	A10003050105	Screw (M5 x 10 mm Pan Hd.)	15		089100302050	Fence (TS1553DXL).....	1
3	089100302013	Table	1	29	089100302051	Slide Fence (TS1553DXL).....	1
4	089100302014	Table Hold Down	2	30	089100308701	Miter Clamp Assembly (Work Clamp, TS1553) 1	
5	558111109	Clamp Nut	1		089100302052	Miter Clamp Assembly (Work Clamp, TS1553DXL)	1
6	089100302016	Lock Handle	1	31	089100302053	Warning label (Slide fence, TS1553DXL).....	1
7	565110000	Fixed Plate.....	1	32	089100302054	Knob (TS1553DXL).....	1
8	089100302018	Detent Plate.....	1	33	A36030814204	Spring Washer (M8).....	4
9	089100302140	Throat Plate	1	34	089100302056	Screw (M8 x 25 mm Socket Cap).....	4
10	558411200	Flange (Inner).....	1	35	089100302058	Flat Washer.....	1
11	089100302031	Bevel Pointer	2	36	089100302059	Miter Pointer.....	1
12	A35030410018	Flat Washer (M4).....	2	37	089100302060	Arm Shaft	1
13	089100302033	Pivot Support	1	38	089100302065	Dust Hood	1
14	A36031221309	Spring Washer (M12).....	2	39	555516000	Clamp Bracket Screw (TS1553DXL)	2
15	555331000	Bolt (M12 x 35 mm Socket Cap).....	2	40	558511100	Fixed Plate (TS1553DXL).....	2
16	089100302036	Support Bracket	1	41	558507200	Stop Block (TS1553DXL).....	1
17	580120000	Grommet	1	42	558512100	Wing Bolt (TS1553DXL).....	1
18	A10003040085	Screw (M4 x 8 mm Pan Hd.)	2	43	558510200	Table Extension (TS1553DXL)	2
19	538327000	Spring Spacer.....	2	44	089100302076	Blade	1
20	089100302040	Tension Spring.....	1	45	588035105	Flange (Outer, TS1553).....	1
21	589011308	Washer (Ø15 x Ø24 x 1T)	1		555511000	Laser Guide (TS1553DXL)	1
22	089100302709	Arm Lock Assembly	1	46	558422100	Blade Bolt (M10, TS1553)	1
23	589010200	Pivot Shaft.....	1		089100302078	Arbor Screw (TS1553DXL).....	1
24	A35031030300	Washer (M10)	1	47	089100302083	Dust Bag.....	1
25	089100302047	Bevel Handle	1	48	558313002	Arbor Stop Pin.....	1
26	A49010020056	Rivet (Ø2.5 x 5 mm).....	3	49	A31703006004	Lock Nut (M6).....	1
27	089100302049	Bevel Scale.....	1				

RYOBI 12 in. MITER SAW – MODEL NUMBERS TS1553 and TS1553DXL

The model number will be found on a label attached to the motor housing. Always mention the model number in all correspondence regarding your **MITER SAW** or when ordering repair parts.

PARTS LIST (FIGURE A)

KEY NO.	PART NUMBER	DESCRIPTION	QTY	KEY NO.	PART NUMBER	DESCRIPTION	QTY
50	558407100	Shoulder Screw	1	75	A19001050080	Screw (M5 x 8 mm Pan Hd. w/Washer)	2
51	A35010616105	Flat Washer (M6).....	1	76	A18003060106	Set Screw (M6 x 10 mm)	2
52	089100302097	Torsion Spring	1	77	089100308902	Warning Label w/out Laser (TS1553, English)..	1
53	545406000	Bumper.....	1		089100302127	Warning Label w/Laser (TS1553DXL, English) .	1
54	089100302099	Lower Guard.....	1	78	089100302128	Logo Label (Motor Housing).....	1
55	089100302100	Pivot Plate	1	79	580411000	Upper Guard Warning Label.....	1
56	538417000	Retaining Ring	1	80	089100302130	T-Bolt (Slide Fence, TS1553DXL)	1
57	089100302102	Roller	1	81	089100302131	Flange Loose Pack.....	1
58	A10003060156	Screw (M6 x 15 mm Pan Hd.)	2	82	089100302132	Retaining Spring Holder	1
59	558404007	Sleeve.....	1	83	558105100	Table Spindle.....	1
60	565408000	Link Bushing.....	1	84	089100302134	Flat Washer.....	1
61	A35031226023	Flat Washer (M12).....	1	85	089100302135	Warning Label	1
62	089100302107	Upper Guard Logo Label.....	1	86	089100302136	Elbow (TS1553DXL).....	1
63	089100302108	Link Bushing.....	1	87	089100308703	Lower Guard Assembly, TS1553 (Inc. Key Nos. 1, 54, 56 and 57)	1
64	A36030508123	Spring Washer (M5).....	4		089100302702	Lower Guard Assembly, TS1553DXL (Inc. Key Nos. 1, 54, 56 and 57)	1
65	089100302110	Compression Spring.....	1	88	089100302707	Pivot Support Assembly.....	1
66	A47000040006	E-Ring (E4).....	1			(Inc. Key Nos. 11-16, 18 and 21-27)	1
67	089100302112	Allen Wrench	1	89	089100302139	Fence Scale (TS1553DXL).....	1
68	089100302113	Hex Bolt (M6 x 40L).....	1	90	A31703010008	Lock Nut (M10).....	1
69	089100302114	Hex Bolt (M6 x 25L).....	1	91	A35031025100	Flat Washer (M10).....	2
70	089100302115	Hex Nut (M6)	2	92	565124000	Washer (10 x 25) (POM).....	2
71	555324000	Felt Pad	1	93	558314008	Spindle Lock Pin Cap.....	1
72	089100302121	Flat Washer.....	1		983000941	Operator's Manual	
73	581410003	Bolt	1		9-8-09		
74	589504000	Hang Tag (TS1553DXL, French/Spanish).....	1		(REV:02)		
	089100308901	Hang Tag (TS1553, French/Spanish).....	1				

RYOBI 12 in. MITER SAW - MODEL NUMBERS TS1553 and TS1553DXL

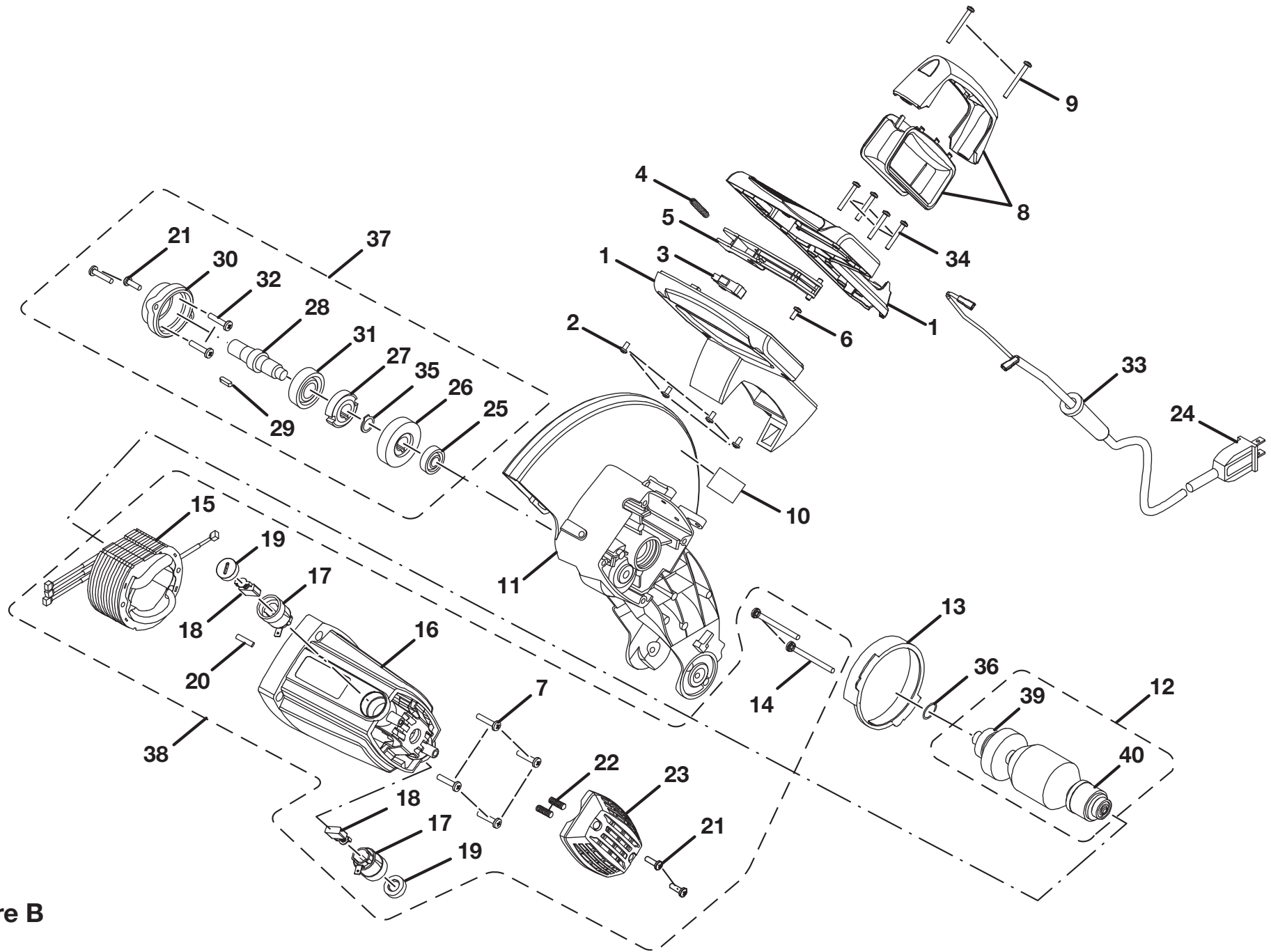


Figure B

RYOBI 12 in. MITER SAW – MODEL NUMBERS TS1553 and TS1553DXL

The model number will be found on a label attached to the motor housing. Always mention the model number in all correspondence regarding your **MITER SAW** or when ordering repair parts.

PARTS LIST (FIGURE B)

KEY NO.	PART NUMBER	DESCRIPTION	QTY	KEY NO.	PART NUMBER	DESCRIPTION	QTY
1	089100308702	D-Handle Assembly, TS1553	1	21	A10003050150	Screw (M5 x 15 mm Pan Hd.)	4
	089100302705	D-Handle Assembly, TS1553DXL.....	1	22	A18003050054	Fixed Screw (M5 x 5 mm).....	2
2	A70003040200	Screw (M4 x 20 mm Pan Hd.)	4	23	089100302081	End Cap.....	1
3	558316100	Micro Switch.....	1	24	089100302082	Cord Assembly	1
4	089100302023	Compression Spring.....	1	25	A50060010025	Ball Bearing (6001ZZ).....	1
5	089100302024	Switch Actuator.....	1	26	089100302087	Output Gear.....	1
6	A10003050083	Screw (M5 x 8 mm Pan Hd.)	1	27	588029007	Lock Ring	1
7	A10003050300	Screw (M5 x 30 mm Pan Hd.)	4	28	089100302089	Gear Shaft	1
8	089100302708	Carry Handle Assembly (Inc. Key No. 9)	1	29	A45204040157	Parallel Key (4 x 4 x 15L).....	1
9	089100302030	Screw (M4 x 45 mm Pan Hd.)	2	30	558305106	Bearing Cover.....	1
10	089100302045	Data Label	1	31	A50062030045	Ball Bearing (6203UU).....	1
11	089100302057	Upper Safety Guard	1	32	A11003030057	Screw (M3 x 5 mm Pan Hd.)	2
12	9070C01000	Armature Assembly (Inc. Key Nos. 39 and 40)	1	33	588004100	Bend Relief.....	1
13	089100302062	Baffle	1	34	A10003050350	Screw (M5 x 35 mm Pan Hd.)	4
14	A90107050600	Screw (M5 x 60 mm Pan Hd.)	2	35	A46000150008	C-Ring	1
15	089100302064	Field Assembly	1	36	A63020000320	O-Ring	1
16	089100302066	Motor Housing.....	1	37	089100302703	Spindle Assembly (Inc. Key Nos. 20, 21, 25-32 and 35).....	1
17	588007300	Brush Holder	2	38	089100302704	Motor Housing w/Field Assembly	1
18	089100302069	Brush w/Spring.....	2			(Inc. Key Nos. 7 and 14-23).....	1
19	588005105	Brush Cap	2	39	A50006080049	Ball Bearing (608 2RS C3).....	1
20	644307000	Rubber Insert.....	1	40	A50060020056	Ball Bearing (6002 TU/TZ/CM/5C)	1

RYOBI 12 in. MITER SAW - MODEL NUMBERS TS1553 and TS1553DXL

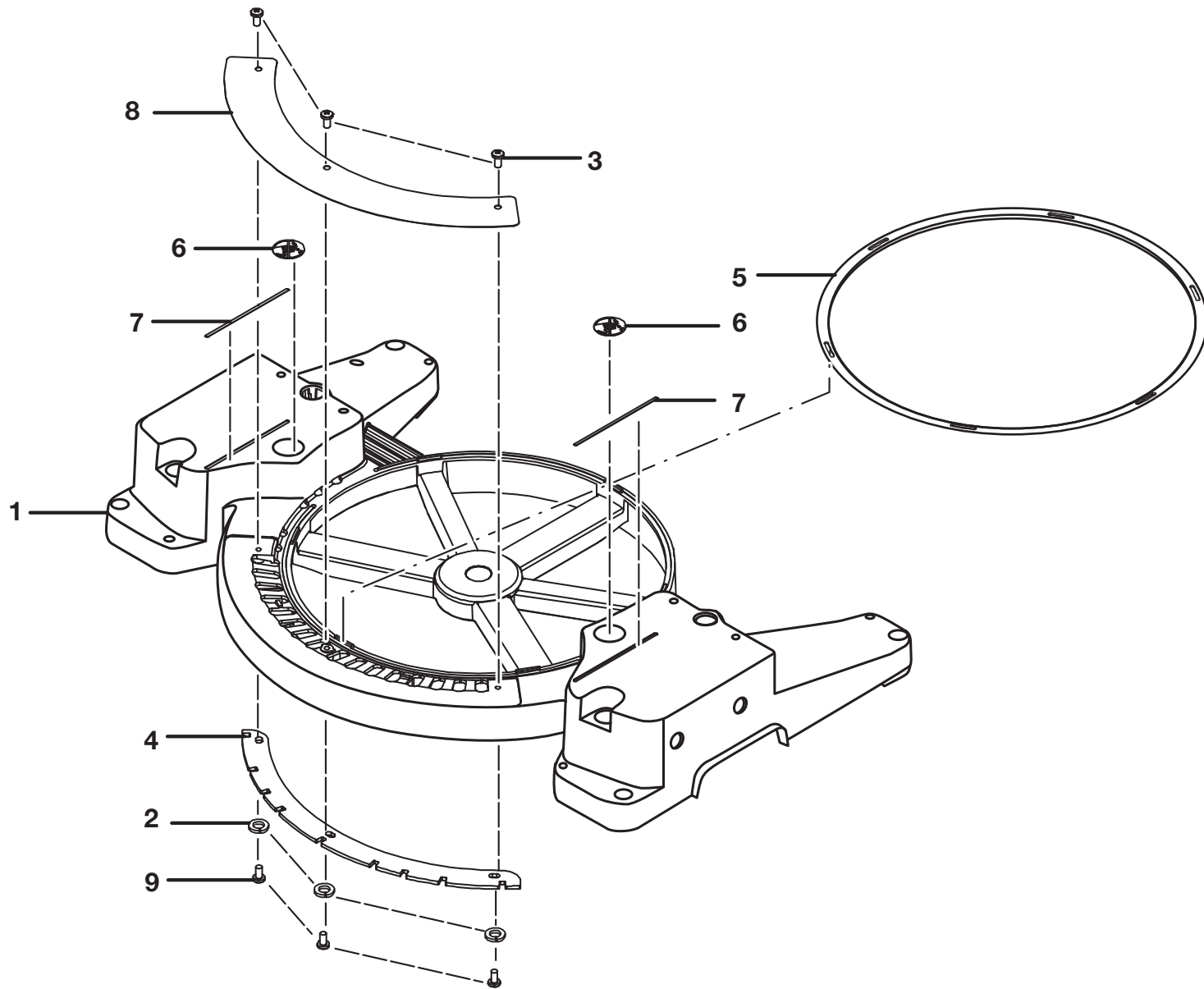


Figure C

RYOBI 12 in. MITER SAW – MODEL NUMBERS TS1553 and TS1553DXL

The model number will be found on a label attached to the motor housing. Always mention the model number in all correspondence regarding your **MITER SAW** or when ordering repair parts.

PARTS LIST (FIGURE C)

KEY NO.	PART NUMBER	DESCRIPTION	QTY
	089100302701	Base Assembly (Inc. Key Nos. 1-9)	1
1	089100302001	Base.....	1
2	A36030508123	Spring Washer (M5)	3
3	A49010020056	Rivet (Ø2.5 x 5 mm)	3
4	565102000	Miter Lock Plate.....	1
5	089100302133	Wear Plate.....	1
6	089100302007	Warning Label (No Hands)	2
7	565109000	Line Warning Label	2
8	089100302010	Miter Scale.....	1
9	089100302011	Screw (M5 x 12 mm Pan Hd.).....	3