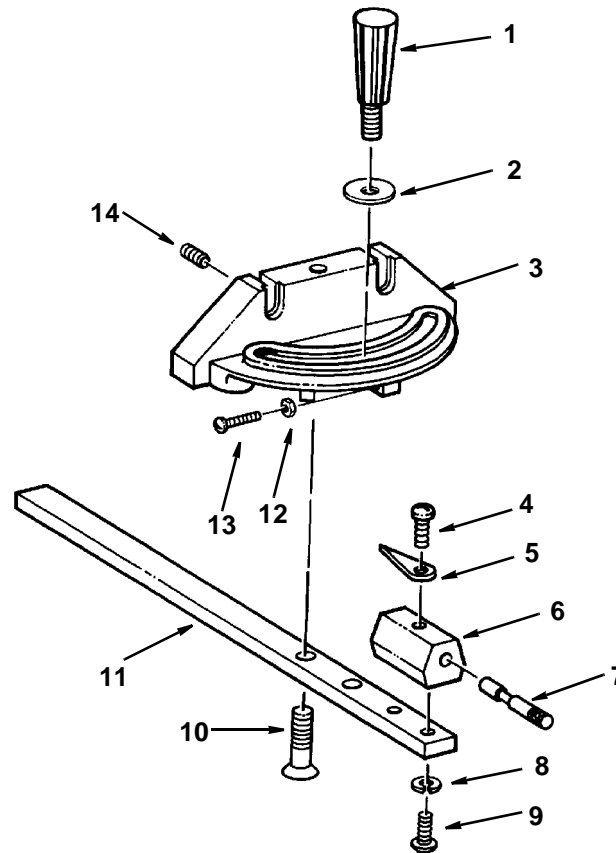


Parts List for RIDGID 10 Inch Table Saw Model No. TS24000

RIDGID parts are available on-line at www.ridgidparts.com

Figure 1 - Miter Gauge Assembly

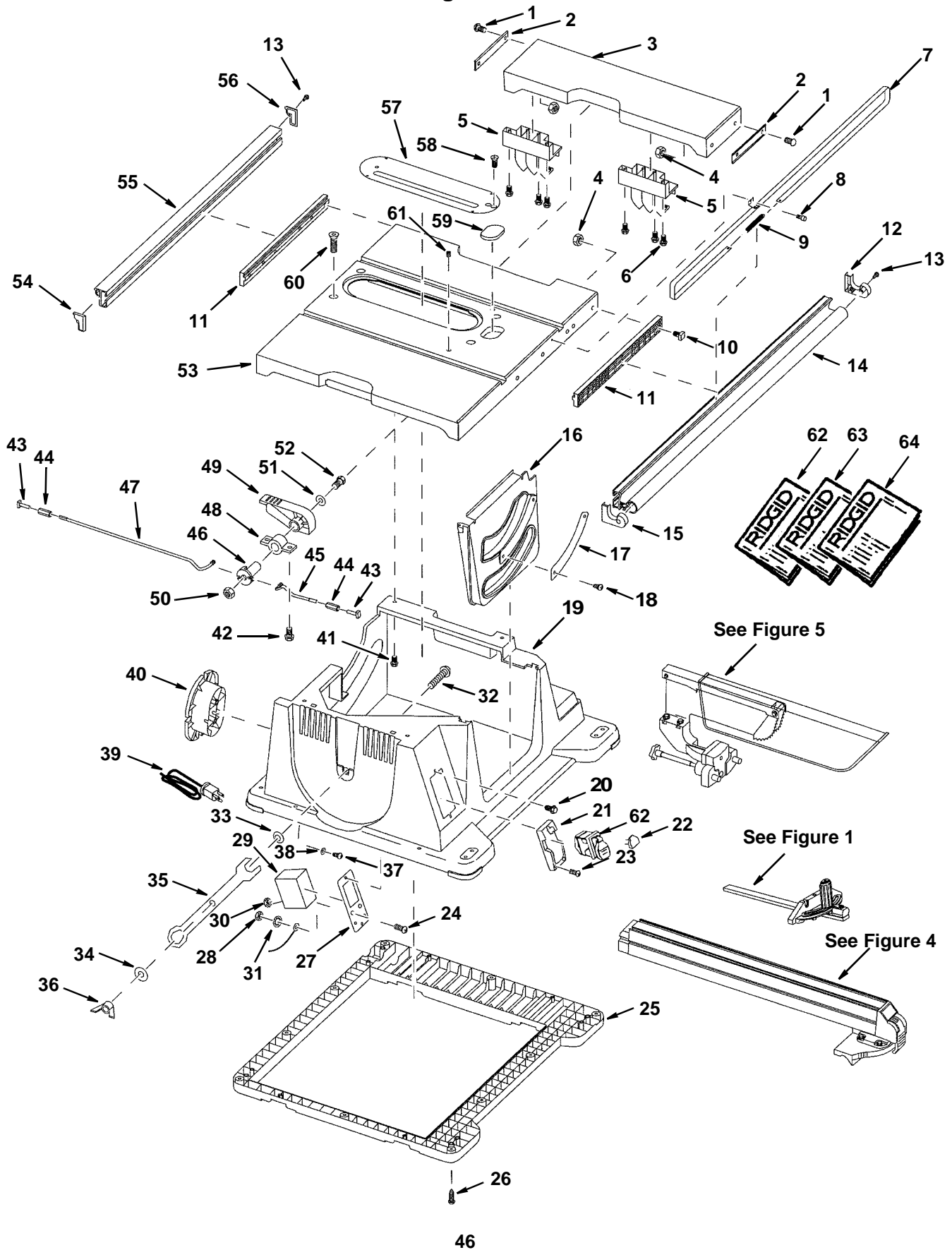


Always Order by Part Number - not by Key Number

Key No.	Part No.	Description
—	AC1021	† Miter Gauge, Complete
1	826506	Knob
2	821063-5	* Washer 8 x 23 x 1.8
3	826663	Gauge, Miter
4	824723-1	* Screw, Pan Hd. 8/32 x 5/16
5	123069-1	Indicator
6	824573-1	Block, Miter Gauge Indicator
7	824570	Pin, Miter
8	140755-15	* Lockwasher #8
9	824723	* Screw, Pan Hd 8-32 x 5/8
10	818470-4	Screw Flat Hd. M6 x 1.0-16
11	826662	Rod, Miter Gauge
12	134530	* Nut Hex 6-32
13	809813-4	Screw Pan Hd. 6-32 x 5/8
14	818471-6	Screw, Set 5 x 0.8-5

* Standard Hardware Item - May be purchased locally

Parts List for RIDGID 10 Inch Table Saw Model No. TS24000 RIDGID parts are available on-line at www.ridgidparts.com Figure 2



Repair Parts

Parts List for RIDGID 10 Inch Table Saw

Model No. TS24000

RIDGID parts are available on-line at www.ridgidparts.com

Figure 2

Always Order by Part Number - not by Key Number

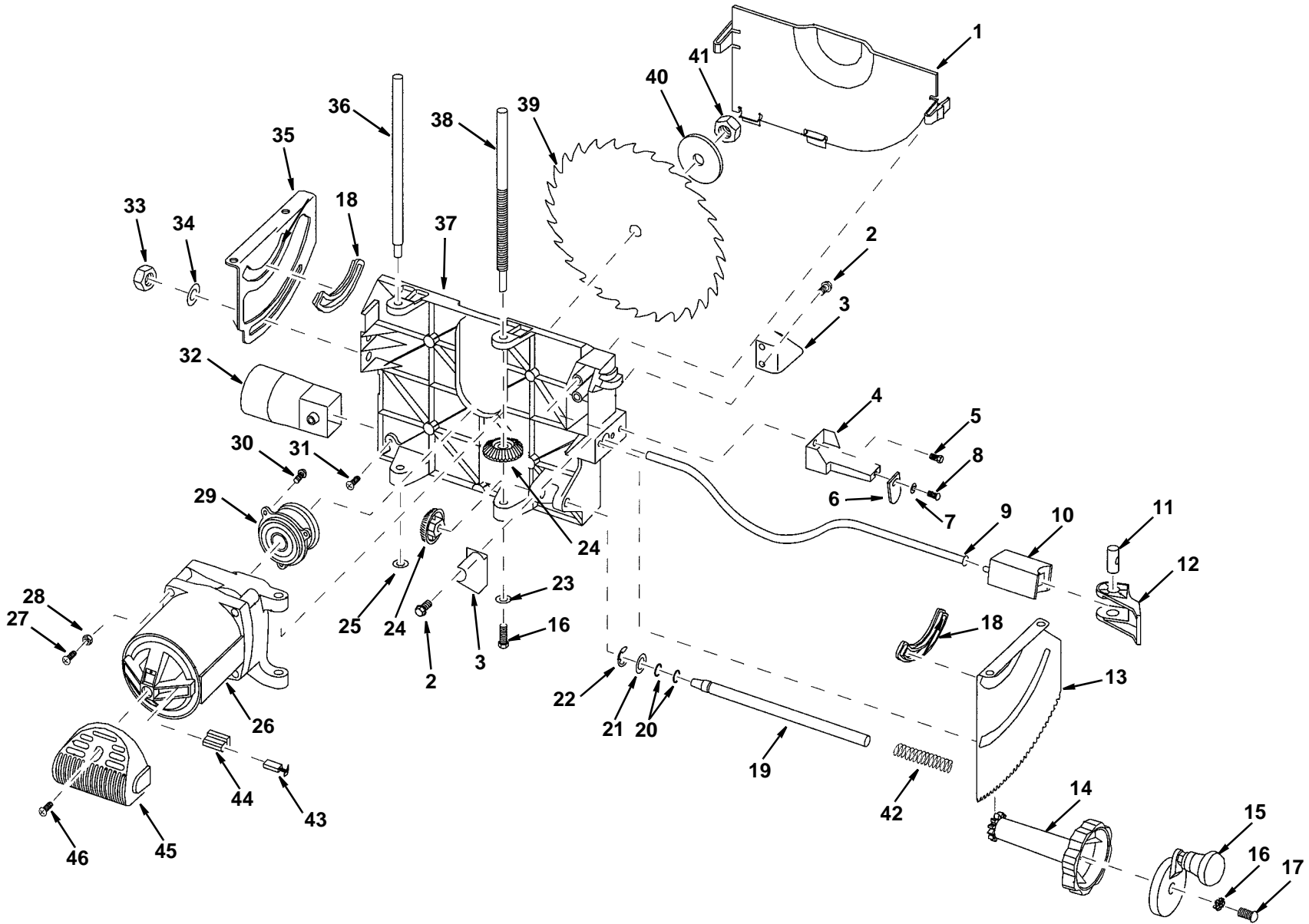
Key No.	Part No.	Description
1	805594	* Bolt Carriage 1/4-20 x 3/4
2	827518	Mount Rail Extension
3	827545	Table Extension
4	73352	* Nut Hex Flange 1/4-20
5	827478	Clip Fence
6	159572-146	* Screw Hex Wash Hd Ty T 10-32 x 7/8
7	827871	Scale Rip
8	809813-1	Screw Pan Rec 6-32 x 1/2
9	827872	Spring Rip Scale
10	159653-3	Bolt Sq Hd 1/4-20 x 3/4
11	827533	Slider Rail
12	827469	Cap Rail Front Right
13	448013	* Screw Pan Hd Ty Ab N8 x 1/2
14	827524	Rail Front
15	827644	Cap Rail Front Left
16	827497	Panel Front
17	827870	Scale Bevel
18	808380-2	* Screw Pan Hd #8 x 3/8
19	828112	Base w/Labels
20	9420474	* Screw Hex Wash Hd Ty T 10-32 x 1/2
21	826395	Bezel Switch
22	AC1000	† Key Switch
23	808380-18	Screw Pan Hd #6 x 3/4 Plastite
24	808275-4	* Screw Pan Hd 8-32 x 3/8
25	827493	Foot Base
26	808380-5	* Screw Pan Hd #8 Plastite
27	826653	Plate Switch Box
28	805475	* Nut Hex 8-32
29	824914	Box Switch
30	169123-15	Relief Strain
31	138164	* Lockwasher #8
32	827925	Bolt Carriage 1/2-13 x 1-1/2

* Standard Hardware Item - May be purchased locally

Key No.	Part No.	Description
33	827873	Nut Push 1/2
34	827921	Washer Flat Nylon
35	827548	Wrench Arbor
36	827874	Nut Wing Nylon 1/2-13
37	808380-17	* Screw Pan Hd #10 x 3/4 Plastite
38	805550-5	Washer 7/32 x 5/8 x 1/16
39	827481	Cord w/Plug
40	827547	Wrap Cord
41	9422329	Screw Hex Hd Ty T 1/4-20 x 3/4
42	821521	Screw Hex Hd Shoulder .312
43	827463	Bolt T 1/4-20
44	827482	Coupling 1/4-20
45	827515	Link Locking Front
46	827523	Pivot Linkage
47	827515-1	Link Locking Rear
48	827461	Bearing Rail Lock
49	827514	Lever Table Lock
50	274205	Nut Lock 1/4-20
51	805552	* Washer 17/64 x 5/8 x 1/16
52	813051-5	* Screw Pan Hd 1/4-20 x 2-3/4
53	827546	Table Main
54	827645	Cap Rear Rail Left
55	827525	Rail Rear
56	827470	Cap Rear Rail Right
57	509492	Insert Asm
58	809374-1	Screw Flat Hd Ty T 10-32 x 5/8
59	826390	Insert Ind-I-Cut
60	805297-12	Screw Soc Flat Hd 5/16-18 x 1
61	138671	Screw Set 5/16-18 x 5/8
62	826347	Switch Locking
63	SP6258	Owners Manual - English
64	SP6259	Owners Manual - Spanish
65	SP6260	Owners Manual - French

† These parts are available where you purchased your saw.

**Parts list for RIDGID 10 Inch Table Saw
Model No. TS24000**
 RIDGID parts are available on-line at www.ridgidparts.com
 Figure 3



**Parts List for RIDGID 10 Inch Table Saw
Model TS24000**
RIDGID parts are available on-line at www.ridgidparts.com

Figure 3

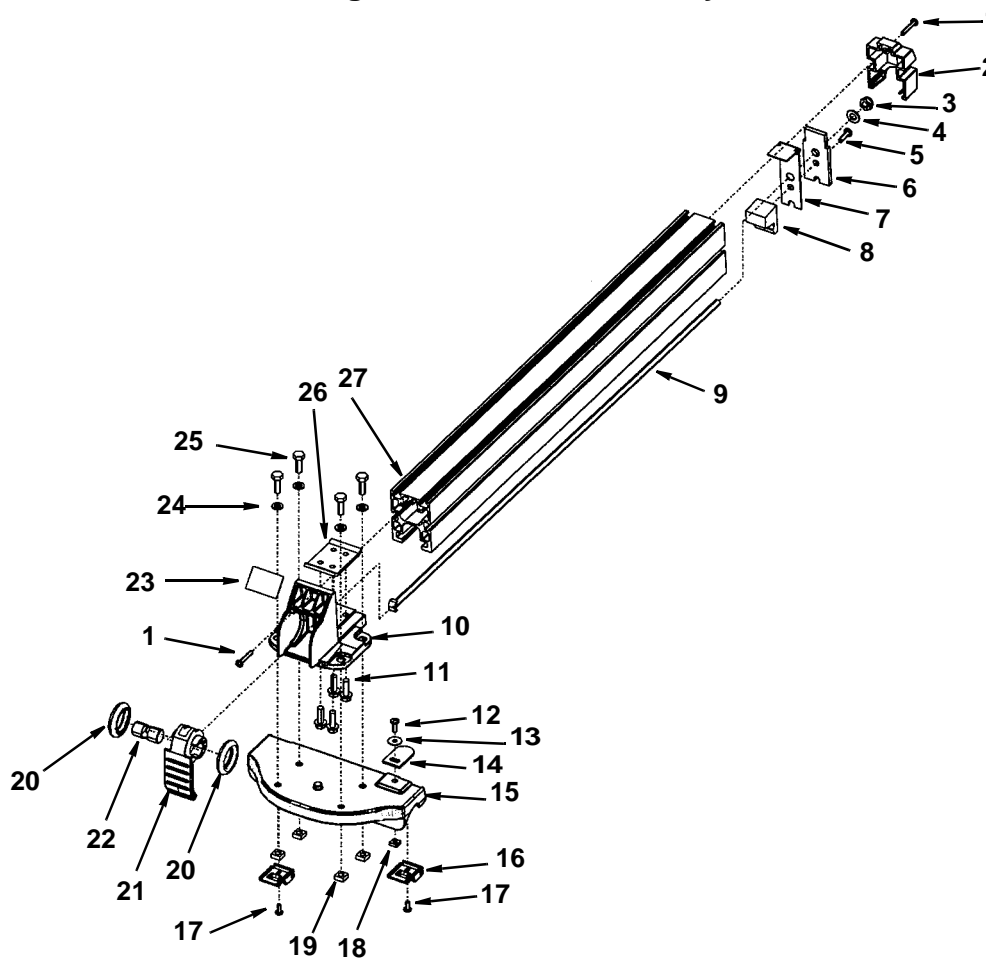
Always Order by Part Number - not by Key Number

Key No.	Part No.	Description
1	827483	Cover Blade
2	370625	* Screw Hex Wash hd 1/4-20 x 1/2
3	827619	Plate Bevel Stop
4	827540	Support Bevel Indicator
5	216278	* Screw Soc Cap 1/4-20 x 5/8
6	824334-1	Indicator
7	805550-5	* Washer 7/32 x 5/8 x 1/16
8	808380-17	* Screw Pan Hd #10 x 3/4
9	827459	Bar Locking
10	827862	Clamp Asm Bevel
11	827522	Pivot Bevel Lock
12	827500	Handle Bevel Lock
13	827519	Mount Front
14	827510	Knob Asm Bevel
15	827501	Handle Asm Elevation
16	114603	* Lockwasher #10
17	809372-7	* Screw Pan Hd 10-32 x 5/8
18	827467	Bushing Trunnion
19	827530	Shaft Elevation Crank
20	821421-11	Ring "O" 3/8 x 1/16
21	805561-4	Washer .505 x 3/16 x 1/32
22	805641-4	Ring Retaining 5133-50
23	60136	* Washer 13/64 x 5/8 x 1/32

Key No.	Part No.	Description
24	827496	Gear Elevation
25	802612-8	Nut Push 3/8
26	827517	Motor
27	827863	Screw Set Nylon 10-32 x 3/4
28	827864	Nut Hex Nylon 10-32
29	827457	Arbor Asm
30	9420474	* Screw Hex Ty T 10/32 x 1/2
31	808380-2	* Screw Pan Hd #8 x 3/8
32	827476	Chute Sawdust
33	60249	* Nut Lock 3/8-16
34	60014	* Washer .380 x 47/64 x 3/32
35	827520	Mount Rear
36	827531	Shaft Guide
37	827484	Cradle
38	827529	Shaft Elevation
39	828089	Blade 10" 24T Dimp. Carb.
40	827465	Collar Blade
41	6362	Nut Arbor
42	827539	Spring
43	826016	Brush
44	826017	Holder Brush
45	826064	Cap Motor Housing
46	808380-5	Screw Pan Head #8

* Standard Hardware Item - May be purchased locally

**Parts List for RIDGID 10 Inch Table Saw
Model No. TS24000**
RIDGID parts are available on-line at www.ridgidparts.com
Figure 4 - Fence Assembly



Always Order by Part Number - not by Key Number

Key No.	Part No.	Description
-	827490	Fence Complete
1	809492-7	Screw Pan Hd. Ty "T" 8-32 x 1
2	824350-1	Cap Channel Rear
3	820129	* Nut Lock 5/16-18
4	274865	* Washer 21/64 x 5/8 x 1/16
5	9416390	* Screw Pan Hd. Ty "T" 10-32 x 5/8
6	824328-1	Plate Lock
7	824332	Spring Lock
8	824349-1	Slide Rear Fence
9	824342-1	Rod Fence Lock
10	827507	Housing Rip Fence
11	9422329	* Scr Hex Hd TY "T" 1/4-20 x 3/4
12	809372-3	* Screw Pan 10-32 x 1/2
13	60136	* Washer 13/64 x 5/8 x 1/32
14	824334-1	Indicator
15	827505	Head Rip Fence

Key No.	Part No.	Description
16	827532	Slide Fence Head
17	809169-3	* Screw Pan Hd. Ty "T" 8-32 x 3/8
18	822138-1	* Nut Sq 10-32
19	62636	* Nut Sq 1/4-20
20	824326	Bearing Ball Angular Contact
21	827513	Lever Cam Fence
22	824329	Pin Cam
23	827876	Label RIDGID
24	805552-3	* Washer 17/64 x 1/2 x 1/32
25	60018	* Screw Hex Hd. 1/4-20 x 3/4
26	824330-1	Plate Fence Channel
27	824346-1	Channel Fence
Hardware For Attaching Wood Facing		
28	159653-3	Bolt Sq. Hd. 1/4-20 x 3/4
29	805552	* Washer 17/64 x 5/8 x 1/16
30	115120	* Nut Hex 1/4-20

* Standard Hardware Item - May be purchased locally

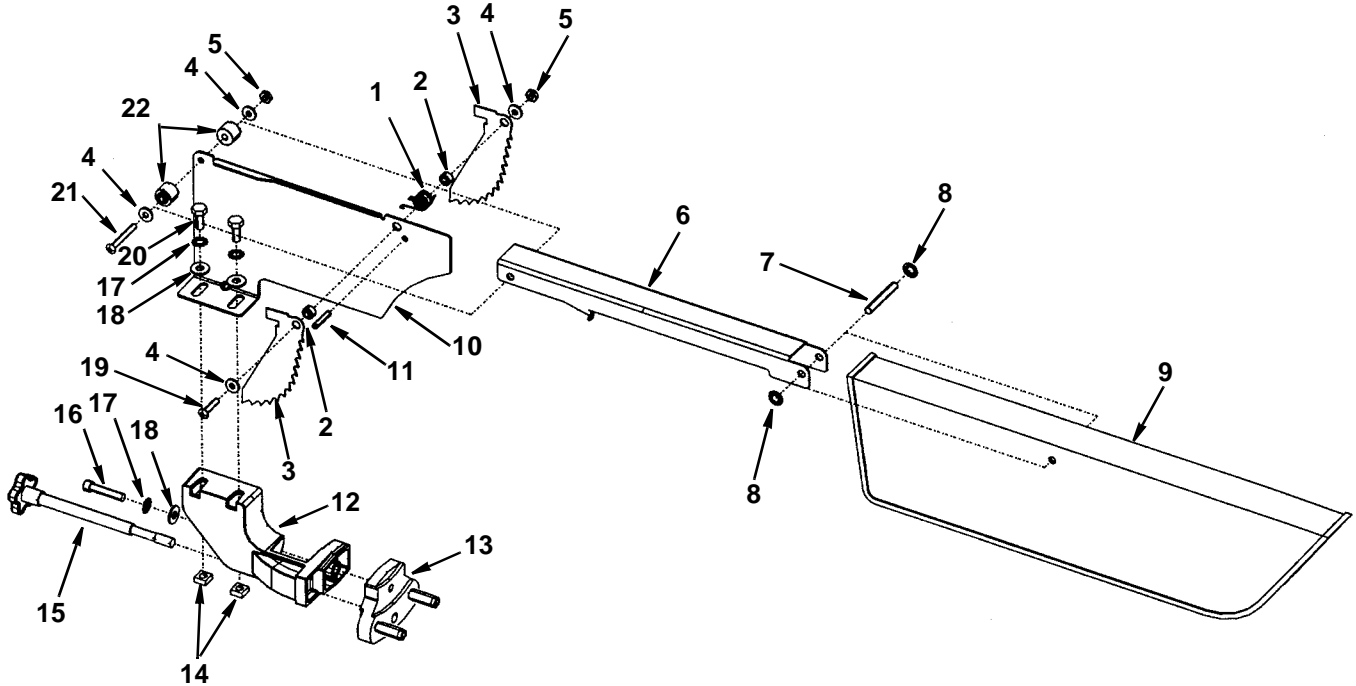
Repair Parts

Parts List for RIDGID 10 Inch Table Saw

Model No. TS24000

RIDGID parts are available on-line at www.ridgidparts.com

Figure 5 - Guard Assembly



Always Order by Part Number - not by Key Number

Key No.	Part No.	Description
-	827499	Guard Complete
1	62519	Spring, Pawl
2	827646	Spacer, Pawl
3	827648-1	Pawl
4	805549-27	* Washer, 13/64 x 1/2 x 1/16
5	60012	Nut Lock 10-32
6	827649-1	Support, Guard
7	62390	Pin Guard 1/4 x 1-3/4
8	60208	Nut Push 1/4
9	826466	Guard w/Label
10	827536	Spreader Blade
11	803422-163	Pin, Roll 3/16 x 15/16

Key No.	Part No.	Description
12	827541	Support Spreader
13	827877	Mount Spreader
14	62636	Nut Square 1/4-20
15	827511	Knob Guard
16	141594-31	Screw Soc Cap 1/4-20 x 1-1/4
17	114604	* Lockwasher Ext 1/4
18	805552	* Washer 17/64 x 5/8 x 1/16
19	806214-3	Screw Soc Cap 10-32 x 7/8
20	179793	* Screw Hex Hd 1/4-20 x 5/8
21	806214-4	Screw Soc Cap 10-32 x 1-1/2
22	827647	Spacer Support

* Standard Hardware Item - May be purchased locally