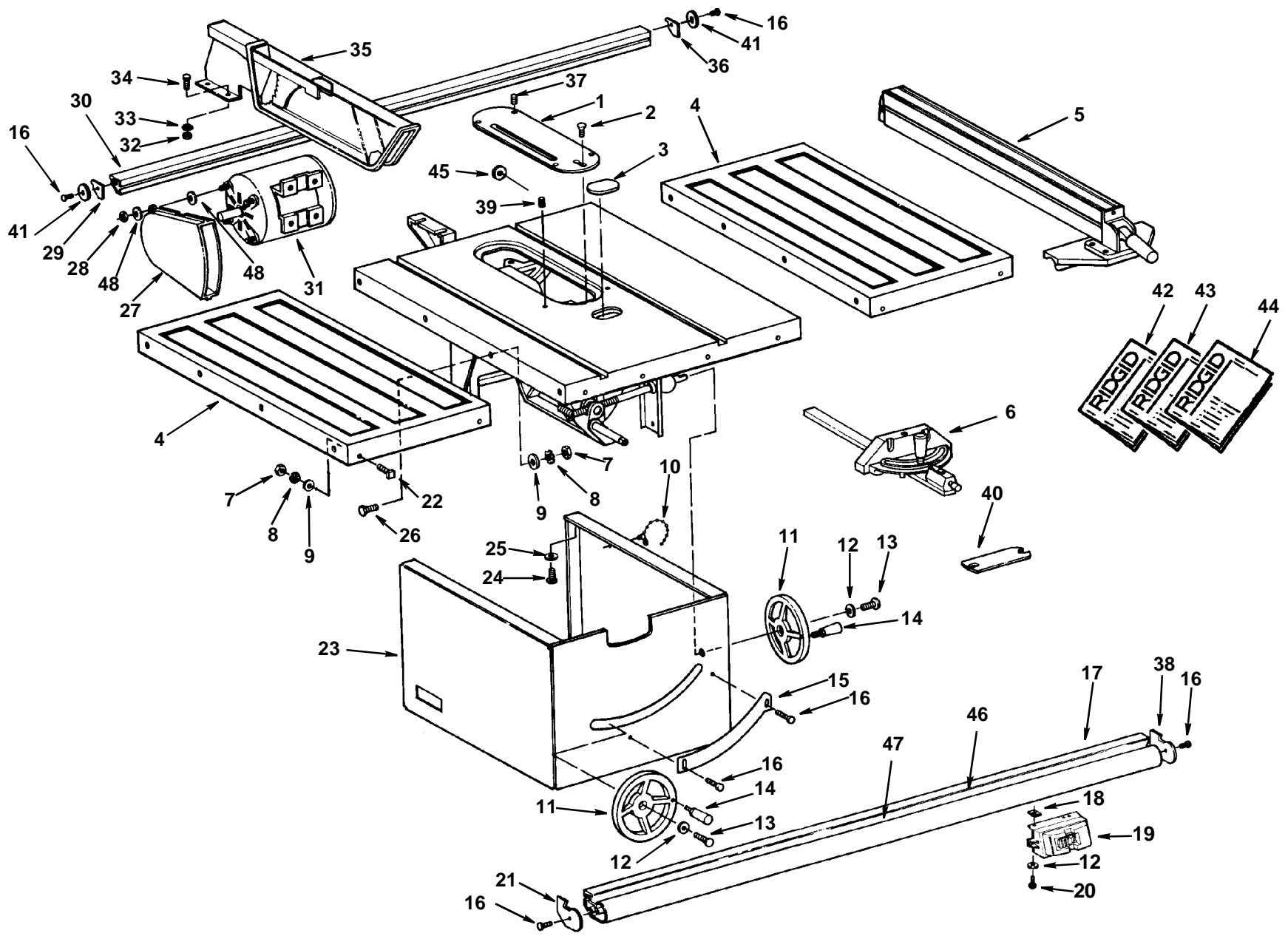


Parts List for RIDGID 10 Inch Table Saw
Model No. TS24121
RIDGID parts are available on-line at www.ridgidparts.com

Figure 1



**Parts List for RIDGID 10 Inch Table Saw
Model No. TS24121**

Figure 1

RIDGID parts are available on-line at www.ridgidparts.com

Always Order by Part Number - not by Key Number

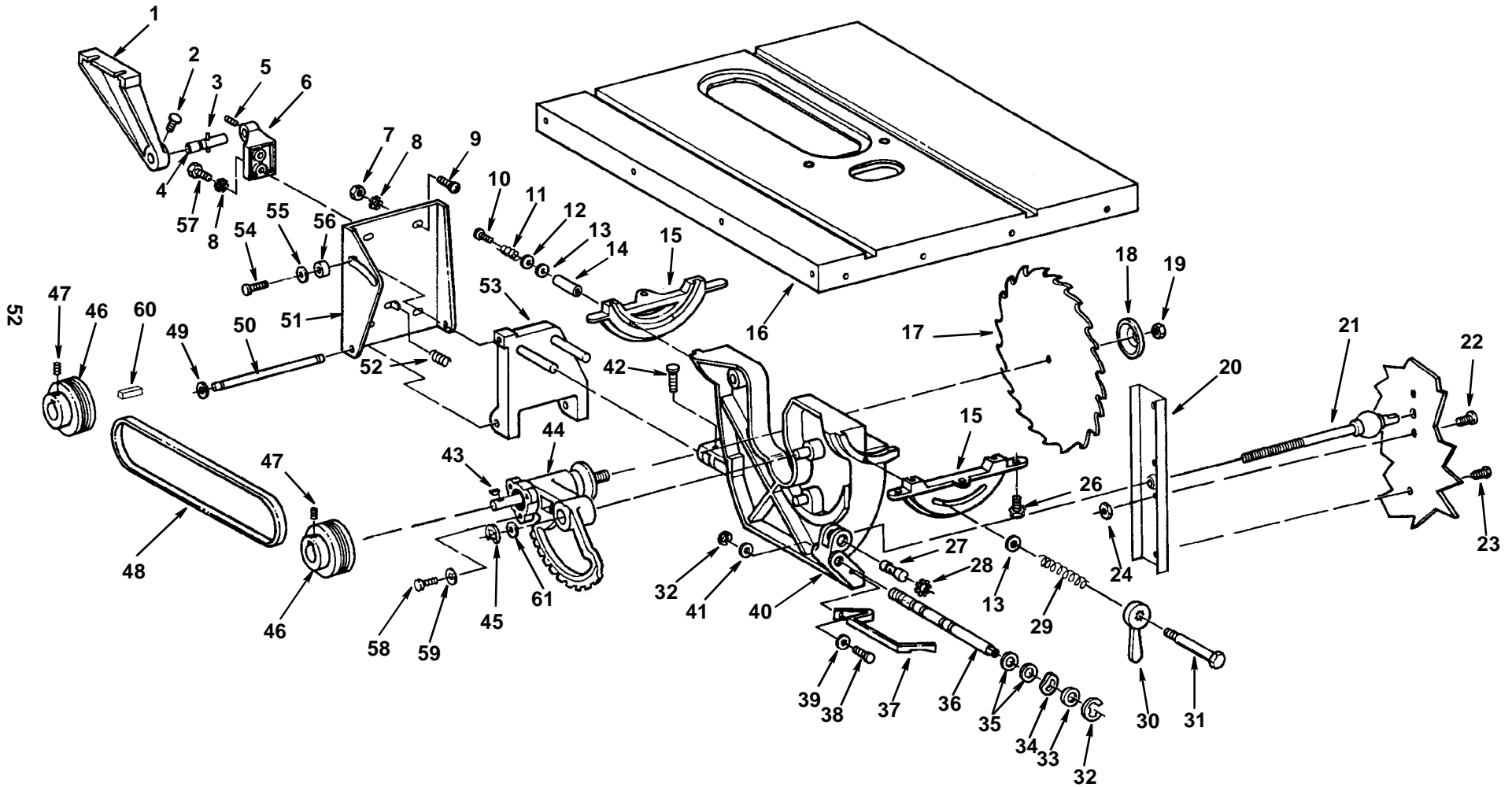
Key No.	Part No.	Description
1	509492	Insert (Includes Set Screws)
2	447441	* Screw Flat Hd 10-32 x 1
3	826390	Insert Ind-I-Cut
4	824351-1	Extension Table 12 x 27
5	— — —	Fence Asm (See Fig 3)
6	— — —	Miter Gauge (See Fig 4)
7	118614	* Nut Hex 5/16-18
8	131201	* Lockwasher 5/16
9	274865	* Washer 21/64 x 5/8 x 1/16
10	71165	Tie Wire
11	824572	Handwheel
12	114603	* Lockwasher #10
13	809372-7	* Screw Pan Hd 10-32 x 5/8
14	824571-1	Knob Handwheel
15	826518	Scale Adjustable Bevel
16	448013	* Screw Pan Hd Ty "AB" 8 x 1/2
17	824345-1	Rail Front w/Scales
18	822138-1	Nut Sq. 10-32
19	— — —	Switch Box (See Fig 5)
20	21379	* Screw Hex Hd 10-32 x 3/8
21	824341-1	Cap Front Rail Left
22	159653-38	Bolt Sq. Hd. 5/16-18 x 1
23	826465	Base
24	423567	* Screw Hex Hd 3/8-16 x 1/2
25	187077	* Lockwasher 3/8
26	60038	* Screw Hex Hd 5/16-18 x 1-1/4
27	824360-1	Guard Belt

Key No.	Part No.	Description
28	120614	* Nut 10-32
29	824373-1	Cap Rear Rail Left
30	824340-5	Rail Rear
31	826188	• Motor
32	62636	* Nut Hex 1/4-20
33	114604	* Lockwasher 1/4
34	30628	* Screw Hex Hd 1/4-20 x 5/8
35	— — —	Guard Assembly (See Fig 6)
36	824372-1	Cap Rear Rail Right
37	104879	Screw Lock Set 10-32 x 3/16
38	824339-1	Cap Front Rail Right
39	818463	Screw Soc Set Oval 3/8-16 x 3/4
40	3540	Wrench, Arbor
41	805548-11	Washer 3/16 x 1 x 1/16
42	SP6252	Owners Manual
43	SP6252S	Owners Manual-Spanish
44	SP6252F	Owners Manual-French
45	818309	Washer Shim
46	828084	Tape Fence 24" Right
47	828083	Tape Fence 12-3/4" Left
48	805549-22	Washer 13/64 x 3/8 x .031
—	509269	Bag Asm - Guide Bars
—	507780	Bag Asm - Table Extensions
—	509479	Bag Asm - Miscellaneous
—	509504	Bag Asm - Trim
—	509613	Bag Asm - Includes Bags Trim, Extensions & Miscellaneous

* Standard Hardware Item - May be purchased locally
— Items not shown

• Any attempt to repair this motor may create a hazard unless repair is done by a qualified service technician. Repair service is available at your nearest Authorized Service Center.

Parts list for RIDGID 10 Inch Table Saw
Model No. TS24121
 RIDGID parts are available on-line at www.ridgidparts.com
Figure 2



**Parts List for RIDGID 10 Inch Table Saw
Model TS24121**

Figure 2

RIDGID parts are available on-line at www.ridgidparts.com

Always Order by Part Number - not by Key Number

Key No.	Part No.	Description
1	804846-1	Support, Spreader
2	60204	Screw
3	803422-166	* Pin, Roll 3/16 x 1-1/4
4	62585	Rod Spreader
5	141669-31	* Screw, Socket Set 5/16-18 x 1/2
6	825914-2	Support, Guard
7	118614	* Nut, Hex 5/16-18
8	131201	* Lockwasher, External 5/16
9	126218	* Bolt, Carriage 5/16-18 x 3/4
10	60206	* Screw, Hex Ind. Wash. Hd. 1/4-20 x 1-1/2
11	60205	Spring
12	60014	* Washer, .380 x 47/64 x 3/32
13	63011	Washer, Knob Clamp
14	62295	Spacer
15	828082	Table, Trunnion
16	826454	Table, 10 In. Saw
17	828089	Blade, Saw 10 In. 24T Dimple Carbide
18	804667-1	Collar, Blade
19	6362	Nut, Arbor
20	824637-1	Stiffener Base
21	826392	Screw, Tilt
22	808277-7	* Screw, Pan Hd. 10-32 x 3/8
23	806752-13	* Screw, Pan Hd. Ty "AB" #10 x 1/2
24	60012	* Nut, Lock 10-32
25		
26	828328	* Screw, Hex Wash. Hd. 3/8-16 x 1
27	826391	Nut, Tilt
28	63054	Ring, Retaining 3/4
29	37828	Spring, Clamp Screw
30	162000-1	Handle Clamp Screw
31	37829	Screw, Clamp

Key No.	Part No.	Description
32	30442	* Ring, Retaining
33	37838	Washer, .629 x 7/8 x 1/64
34	60178	Washer, Spring
35	30653	* O-Ring
36	62697	Screw, Lift
37	62699	Pointer
38	448033	* Screw, Pan Hd. Ty "T" 10-32 x 3/8
39	114603	* Lockwasher, External No. 10
40	509495	Cradle
41	30767	Washer, End Play (.010 Thick)
42	805467-3	* Screw, Hex Hd. 5/16-18 x 5/8
43	106751	* Key, Woodruff #9
44	826464	Housing and Arbor
45	6527	* Ring Retaining 3/4
46	826475	Pulley, Poly-V 2.2
47	141669-31	Screw, Soc Set Oval 5/16-18 x 1/2
48	816439-3	Belt, Poly-V 41.7
49	60044	* Ring, Retaining 3/8
50	37823	Pin Hinge
51	509494	Base, Motor
52	818527	Spring
53	509491	Support, Motor Base
54	30628	Screw, Hex Lock 1/4-20 x 5/8
55	60005	* Washer, 17/64 x 47/64 x 1/16
56	818528	Spacer
57	805467-6	* Screw Hex Hd. 5/16-18 x 1
58	809169-3	* Screw Ty "T" 8-32 x 3/8
59	9416712	* Washer 3/16 x 5/8 x 1/16
60	803744-3	* Key Square 3/16 x 1-1/4
61	60384	Washer .758 x 1-1/4 x .074

* Standard Hardware Item - May be purchased locally

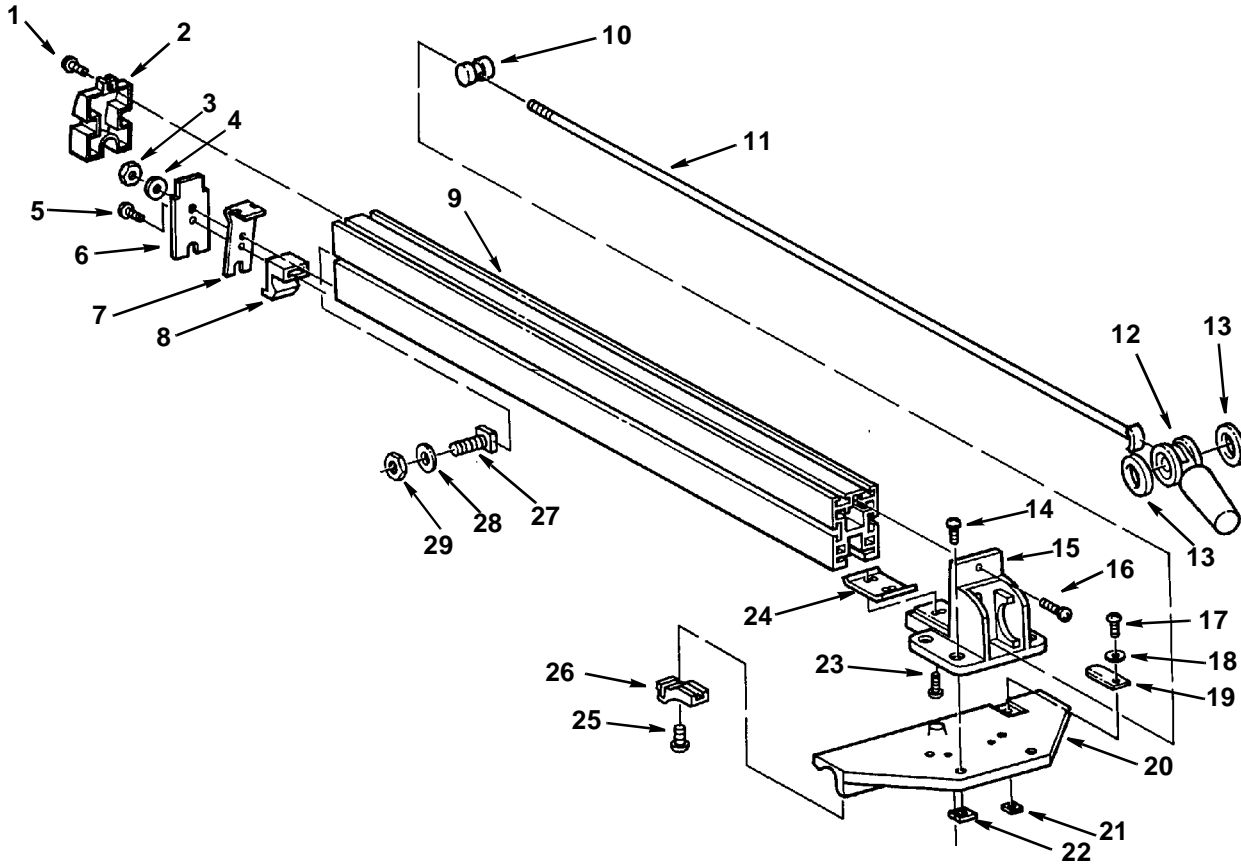
Parts List for RIDGID 10 Inch Table Saw

Model No. TS24121

Figure 3 - Fence Assembly

RIDGID parts are available on-line at www.ridgidparts.com

Always Order by Part Number - not by Key Number



Key No.	Part No.	Description
1	809492-7	Screw Pan Hd. Ty "T" 8-32 x 1
2	824350-1	Cap Channel Rear
3	820129	* Nut Lock 5/16-18
4	274865	* Washer 21/64 x 5/8 x 1/16
5	9416390	* Screw Pan Hd. Ty "T" 10-32 x 5/8
6	824328-1	Plate Lock
7	824332	Spring Lock
8	824349-1	Slide Rear Fence
9	824346	Channel Fence
10	824329	Pin Cam
11	824342	Rod Fence Lock
12	824353-2	Handle Cam
13	824326	Bearing Ball Angular Contact
14	824347-2	Scr Hex Soc Butt Hd 1/4-20 x 3/4
15	824279-2	Housing Rip Fence
16	809492-7	Screw Pan Hd Ty "T" 8-32 x 1/2

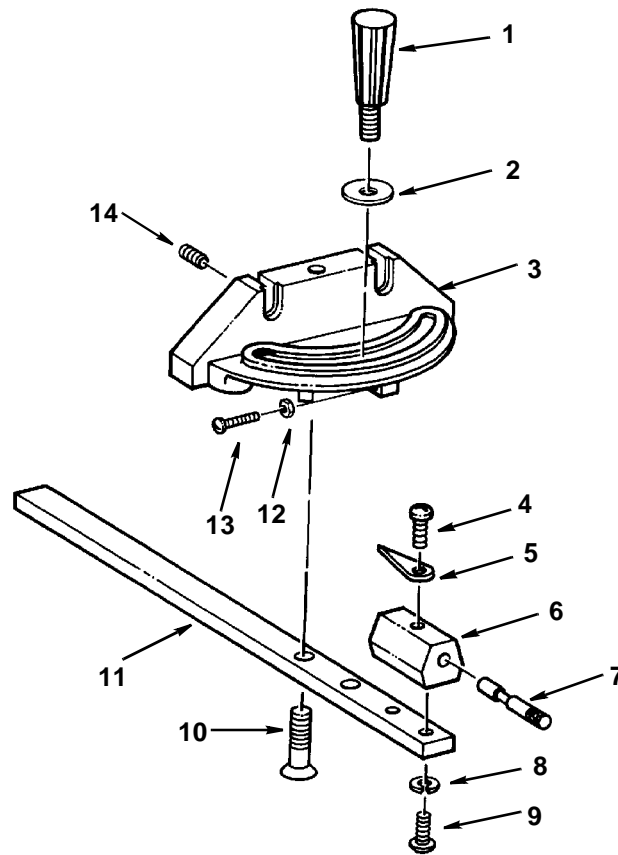
Key No.	Part No.	Description
17	809372-3	* Screw Pan Hd 10-32 x 1/2
18	60136	* Washer 13/64 x 5/8 x 1/32
19	824334-1	Indicator
20	826032-1	Head
21	822138-1	Nut Sq 10-32
22	62636	Nut Sq 1/4-20
23	9422329	Screw Hex Wash Hd Ty "T" 1/4-20 x 3/4
24	824330-1	Plate Fence Channel
25	809169-3	* Screw Pan Hd. Ty "T" 8-32 x 3/8
26	825823	Slide Fence Hd.
Hardware For Attaching Wood Facing		
27	159653-3	Bolt Sq. Hd. 1/4-20 x 3/4
28	805552	* Washer 17/64 x 5/8 x 1/16
29	115120	* Nut Hex 1/4-20

* Standard Hardware Item - May be purchased locally

Parts List for RIDGID 10 Inch Table Saw Model No. TS24121

RIDGID parts are available on-line at www.ridgidparts.com

Figure 4 - Miter Gauge Assembly



Always Order by Part Number - not by Key Number

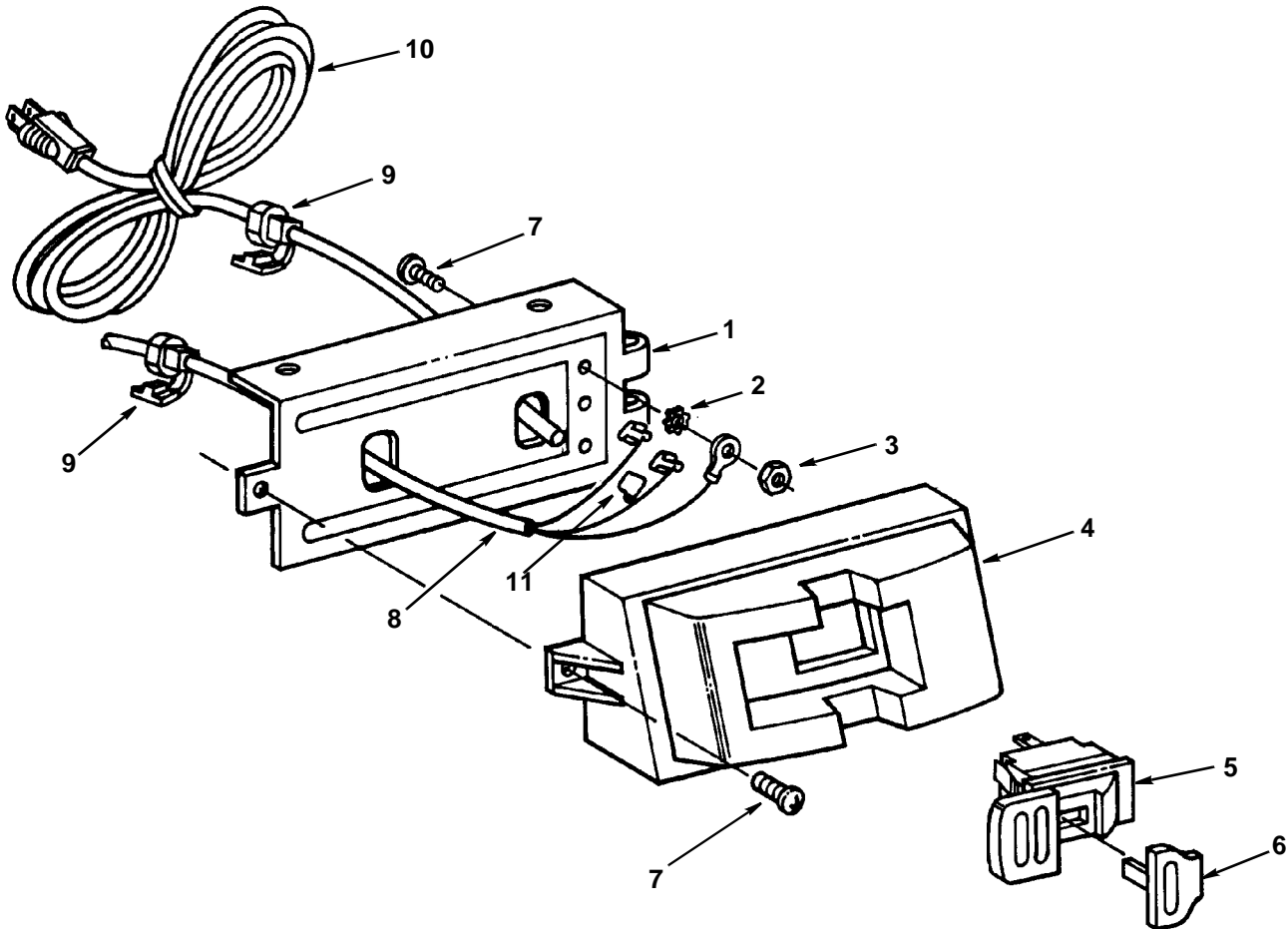
Key No.	Part No.	Description
—	826661	Miter Gauge, Complete
1	826506	Knob
2	821063-5	* Washer 8 x 23 x 1.8
3	826663	Gauge, Miter
4	824723	* Screw, Pan Hd. 8/32 x 5/16
5	123069-1	Indicator
6	824573-1	Block, Miter Gauge Indicator
7	824570	Pin, Miter
8	140755-15	* Lockwasher #8
9	824723	* Screw, Pan Hd 8-32 x 5/8
10	818470-4	Screw Flat Hd. M6 x 1.0-16
11	826662	Rod, Miter Gauge
12	134530	* Nut Hex 6-32
13	809813-4	* Screw Pan Hd. 6-32 x 5/8
14	818471-6	Screw, Set 5 x 0.8-5

* Standard Hardware Item - May be purchased locally

Parts List for RIDGID 10 Inch Table Saw Model TS24121

RIDGID parts are available on-line at www.ridgidparts.com

Figure 5 - ON-OFF Power Outlet



Always Order by Part Number - not by Key Number

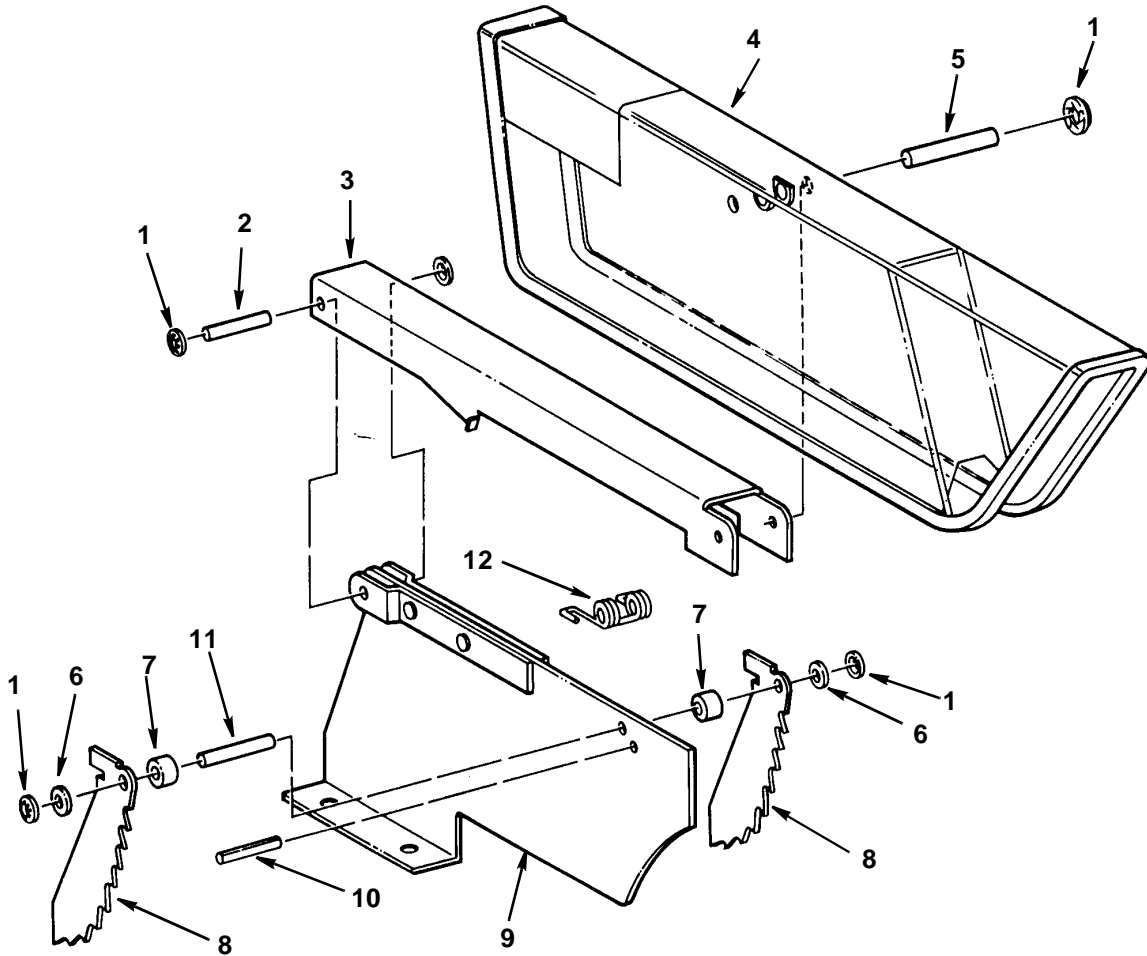
Key No.	Part No.	Description
1	822150-1	Bracket, Switch Housing
2	114603	* Lockwasher #10
3	120614	* Nut Hex 10-32
4	826121	Box Switch
5	826123	Switch Locking
6	826122	Key Switch
7	816333-2	* Screw, Pan Hd. Ty "T" 10-32 x 3/8"
8	826452-1	Cord
9	826450	Strain Relief
10	826451	Cord w/Plug
11	63467	Cap, Insulator

* Standard Hardware Item - May be purchased locally

Parts List for RIDGID 10 Inch Table Saw Model No. TS24121

RIDGID parts are available on-line at www.ridgidparts.com

Figure 6 - Guard Assembly



Always Order by Part Number - not by Key Number

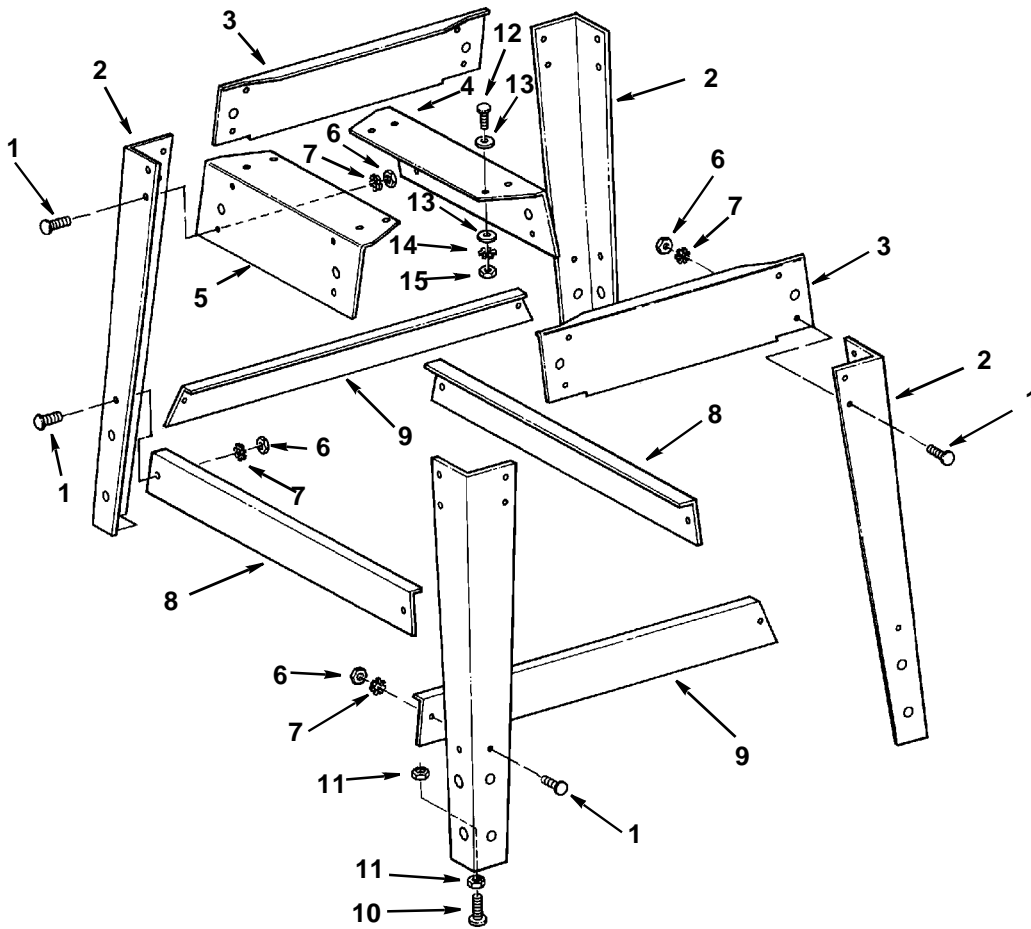
Key No.	Part No.	Description
—	826519	Guard Assembly, Complete
1	60208	Nut Push
2	62391	Pin 1/4 x 1-1/2
3	803528-1	Support, Guard
4	826466	Guard, Saw
5	62390	Pin, 1/4 x 1-3/4
6	805552	* Washer, 17/64 x 5/8 x 1/16
7	62520	Spacer, Pawl
8	813146-1	Pawl
9	804845-1	Spreader Blade
10	62410	Pin, 1/4 x 1
11	803422-163	* Pin, Roll 3/16 x 15/16
12	62519	Spring, Pawl
—	509507	Bag Asm, Guard

* Standard Hardware Item - May be purchased locally

Parts List for RIDGID 10 Inch Table Saw Model No. TS24121

RIDGID parts are available on-line at www.ridgidparts.com

Figure 7 - Leg Set



Key No.	Part No.	Description
1	805589-5	Screw, Serrated Truss Head. 1/4-20 x 1/2
2	826113-1	Leg
3	826116	Stringer, Side
4	826115	Stringer, End
5	509511	Stringer, End w/Label
6	115120	* Nut Hex, 1/4-20
7	114604	* Lockwasher 1/4
8	826114-1	Brace Leg (Short)
9	826114	Brace Leg (Long)
10	803835-3	Foot Leveling
11	118645	Nut, Hex 3/8 - 16
Hardware For Attaching Legs To Saw		
12	60038	* Screw, Hex Hd. 5/16-18 x 1-1/4
13	118774	* Washer, 11/32 x 11/16 x 1/16
14	131201	* Lockwasher, Ext. 5/16
15	118614	* Nut, Hex 5/16-18
-	509474	Bag Asm, Legs

* Standard Hardware Item - May be purchased locally