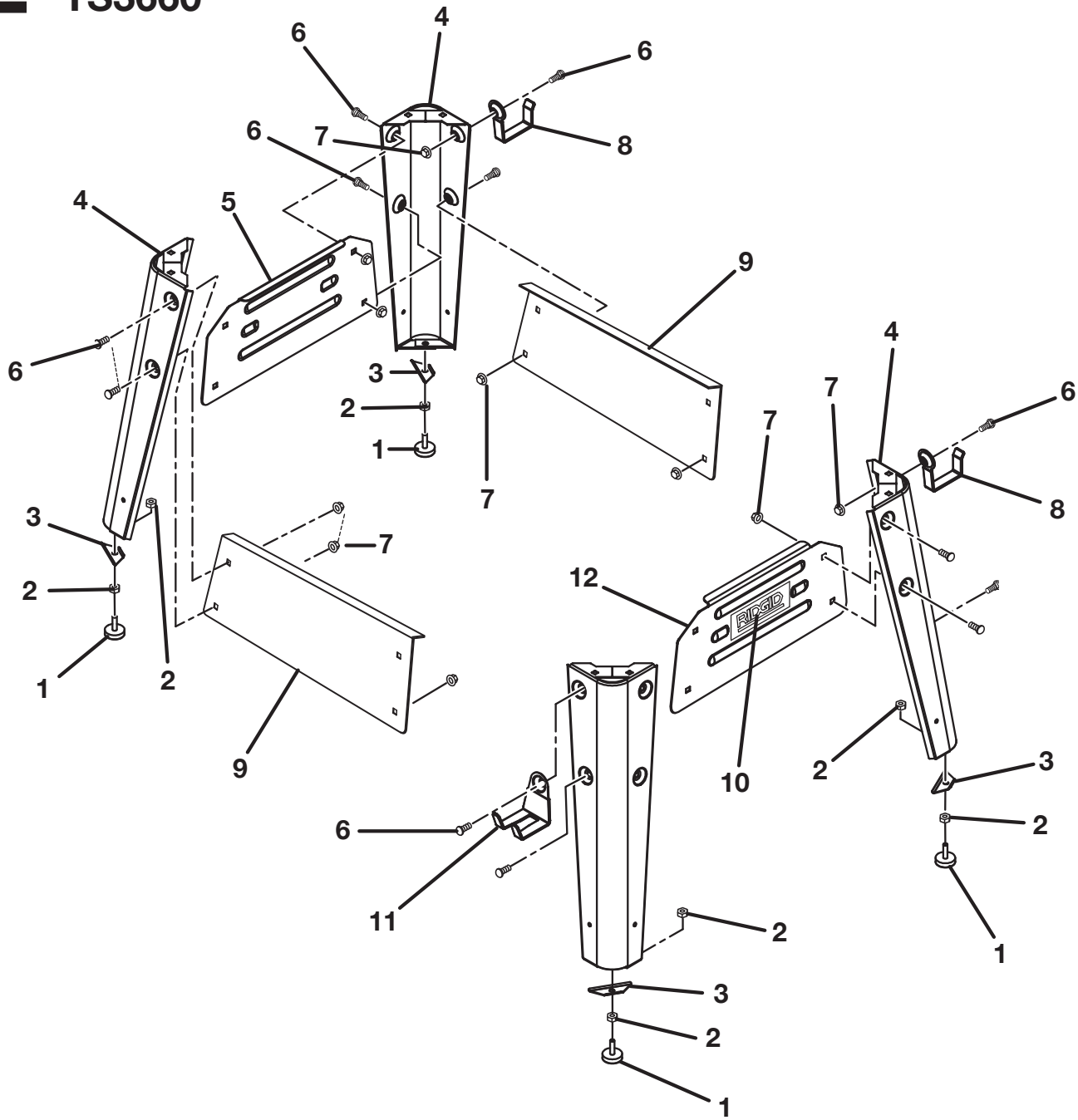


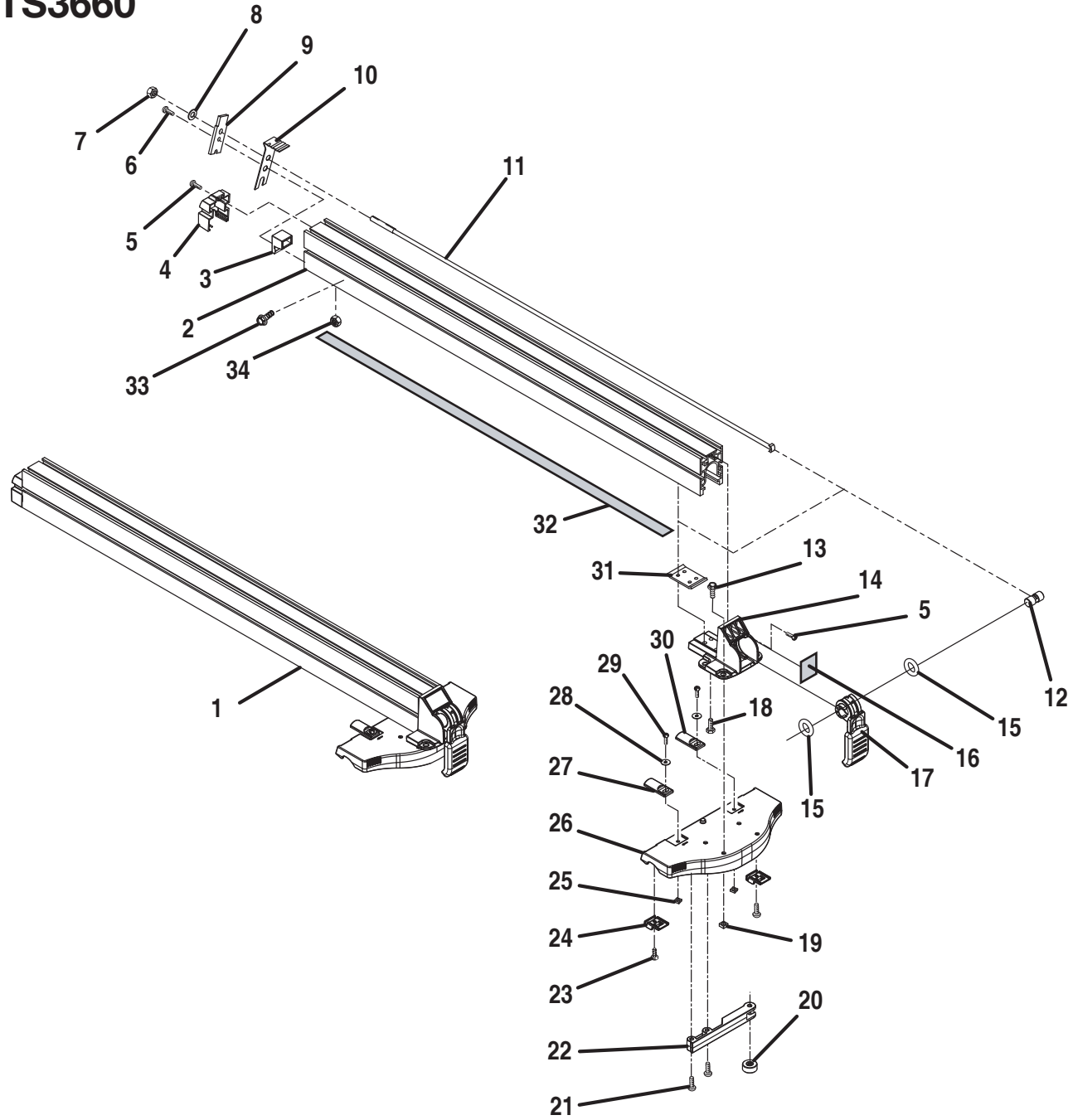
**PARTS LIST FOR FIGURE A**

KEY NO.	PART NUMBER	DESCRIPTION	QTY.
1	TH1006	MITER GAUGE ASSEMBLY.....	1
2	TH100606	KNOB.....	1
3	HU190400	WASHER.....	1
4	TH100601	MITER GAUGE .....	1
5	HU150100	HEX NUT (6-32) .....	3
6	HU040101	SCREW (8-32 x 5/16 in. PAN HD.).....	1
7	TH100604	INDICATOR.....	1
8	TH100603	MITER GAUGE INDICATOR BLOCK .....	1
9	TH100605	MITER INDEX PIN.....	1
10	HU030101	SET SCREW (M5 x 0.8 x 5 mm) .....	1
11	HU040604	SCREW (6-32 x 5/8 in PAN HEAD) .....	3
12	TH030303	SPACER.....	1
13	HU050101	SCREW (M6 x 1.0 x 6 mm).....	1
14	TH100602	MITER GAUGE ROD.....	1
15	HU050102	SCREW (M6 x 1 x 20 FLAT HD.).....	1
16	HU200100	LOCK WASHER (4.3 x 8.5 x 0.45 mm) .....	2
17	HU040104	SCREW (8-32 x 5/8 in. PAN HEAD) .....	2
18	TH100607	STEEL SCALE .....	1
19	HI010105	RIVETS.....	2



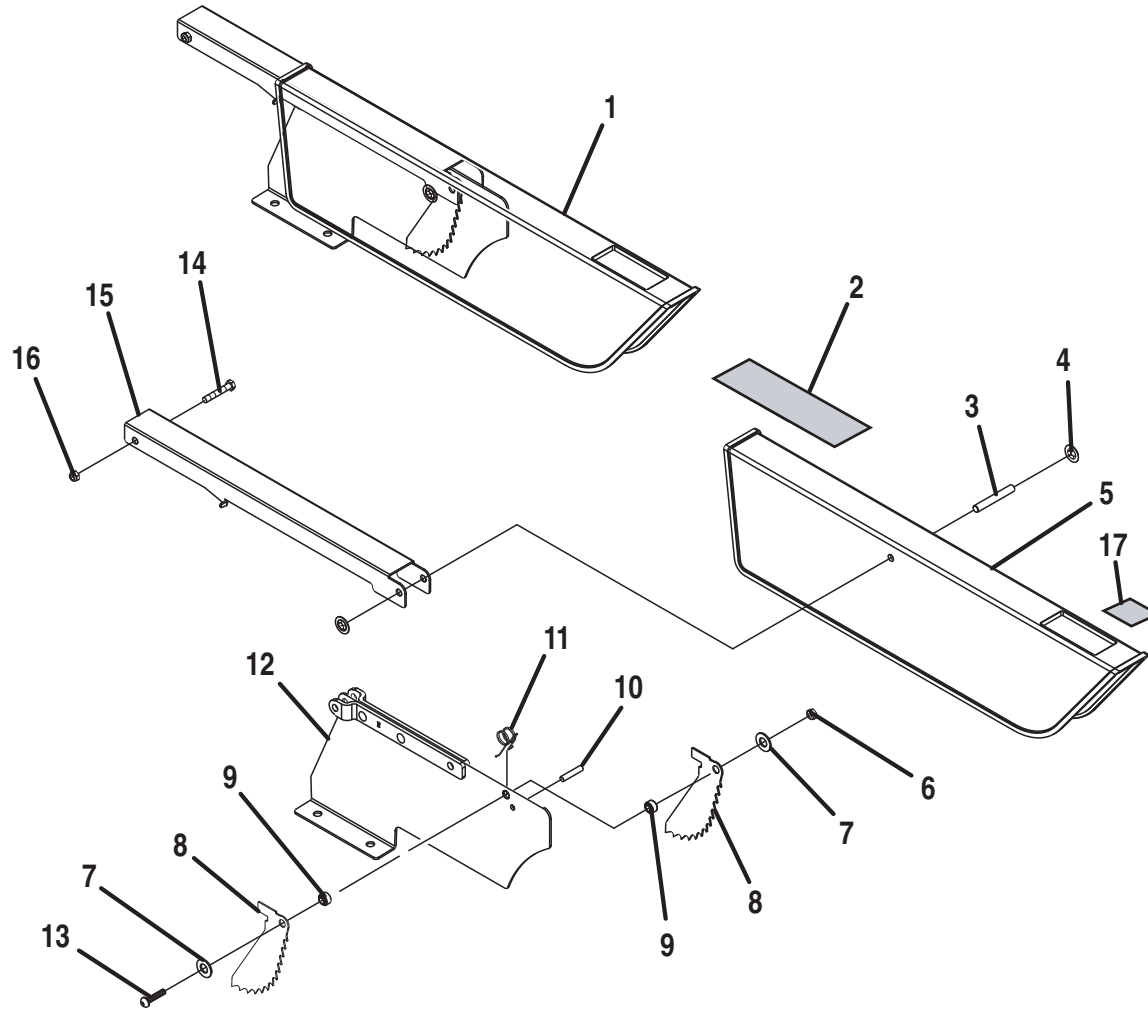
**PARTS LIST FOR FIGURE B**

KEY NO.	PART NUMBER	DESCRIPTION	QTY.
1	MH060008	LEVELING FOOT .....	4
2	HU150600	HEX NUT (3/8-16) .....	8
3	TH100069	LEG PLATE .....	4
4	080035002002	LEG.....	4
5	080035002003	END BRACE .....	1
6	HU070102	CARRIAGE BOLT (5/16-18 x 5/8 in.) .....	16
7	HU170300	FLANGE NUT (5/16-18) .....	16
8	TH100078	RIP FENCE HANGER .....	2
9	080035002004	SIDE BRACE.....	2
10	TH100059	RIDGID LOGO PLATE.....	1
11	TH100072	MITER GAUGE HANGER .....	1
12	080035002703	FRONT BRACE ASSEMBLY (INC. KEY NO. 10).....	1



**PARTS LIST FOR FIGURE C**

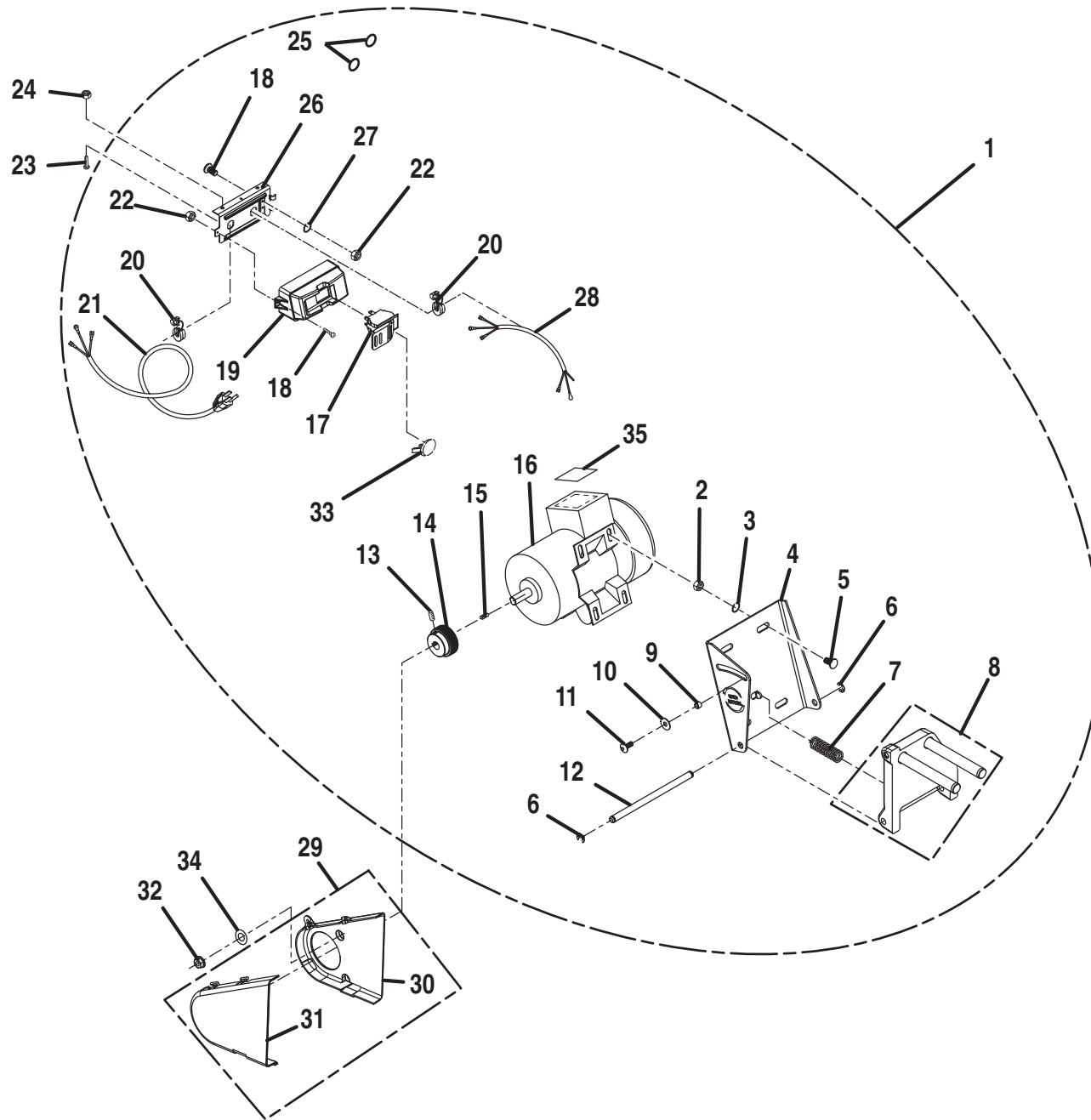
KEY NO.	PART NO.	DESCRIPTION	QTY.
1	TH1019	RIP FENCE ASSEMBLY.....	1
2	OE290003	RIP FENCE .....	1
3	TH101902	REAR FENCE SLIDE.....	1
4	TH101901	REAR FENCE CAP .....	1
5	HU260101	SCREW (8-32 x 1 in. PAN HD.).....	2
6	HU250101	SCREW (10-32 x 5/8 in. PAN HD.).....	1
7	HU160200	LOCK NUT (5/16-18) .....	1
8	HU191100	WASHER.....	1
9	OE290202	LOCK PLATE .....	1
10	OE290201	LOCK SPRING.....	1
11	OE290006	FENCE LOCKING ROD .....	1
12	OE290005	CAM PIN.....	1
13	HU010103	SCREW (1/4-20 x 3/4 in. HEX HD.) .....	4
14	OE290001	RIP FENCE HOUSING (FRONT) .....	1
15	OE290016	BALL BEARING .....	2
16	TH101905	LOGO PLATE .....	1
17	TH101904	FENCE LOCK LEVER .....	1
18	HU270101	SCREW (1/4-20 x 3/4 in. HEX HD.) .....	4
19	HU180200	SQUARE NUT (1/4-20) .....	4
20	OE290302	MICRO ADJUST WHEEL.....	1
21	HU250102	SCREW (10-32 x 1-1/4 in. PAN HEAD).....	2
22	TH101903	MICRO ADJUST BRACKET.....	1
23	TH101907	SCREW (8-32 x 3/8 in. PAN HD.).....	2
24	OE290102	RIP FENCE HEAD SLIDER .....	2
25	HU180300	SQUARE NUT (10-32).....	2
26	OE290101	RIP FENCE HEAD.....	1
27	OE290104	LEFT RIP INDICATOR.....	1
28	HU191000	WASHER (13/64).....	2
29	HU040203	SCREW (10-32 x 1/2 in. PAN HD.).....	2
30	OE290103	RIGHT RIP INDICATOR .....	1
31	OE290002	FENCE PLATE .....	1
32	TH101906	WARNING LABEL.....	1
33	TH100099	SCREW (1/4-20 X 3/4 in. SQ.HD.).....	3
34	HU170200	FLANGE NUT (1/4-20 NC).....	3



**PARTS LIST FOR FIGURE D**

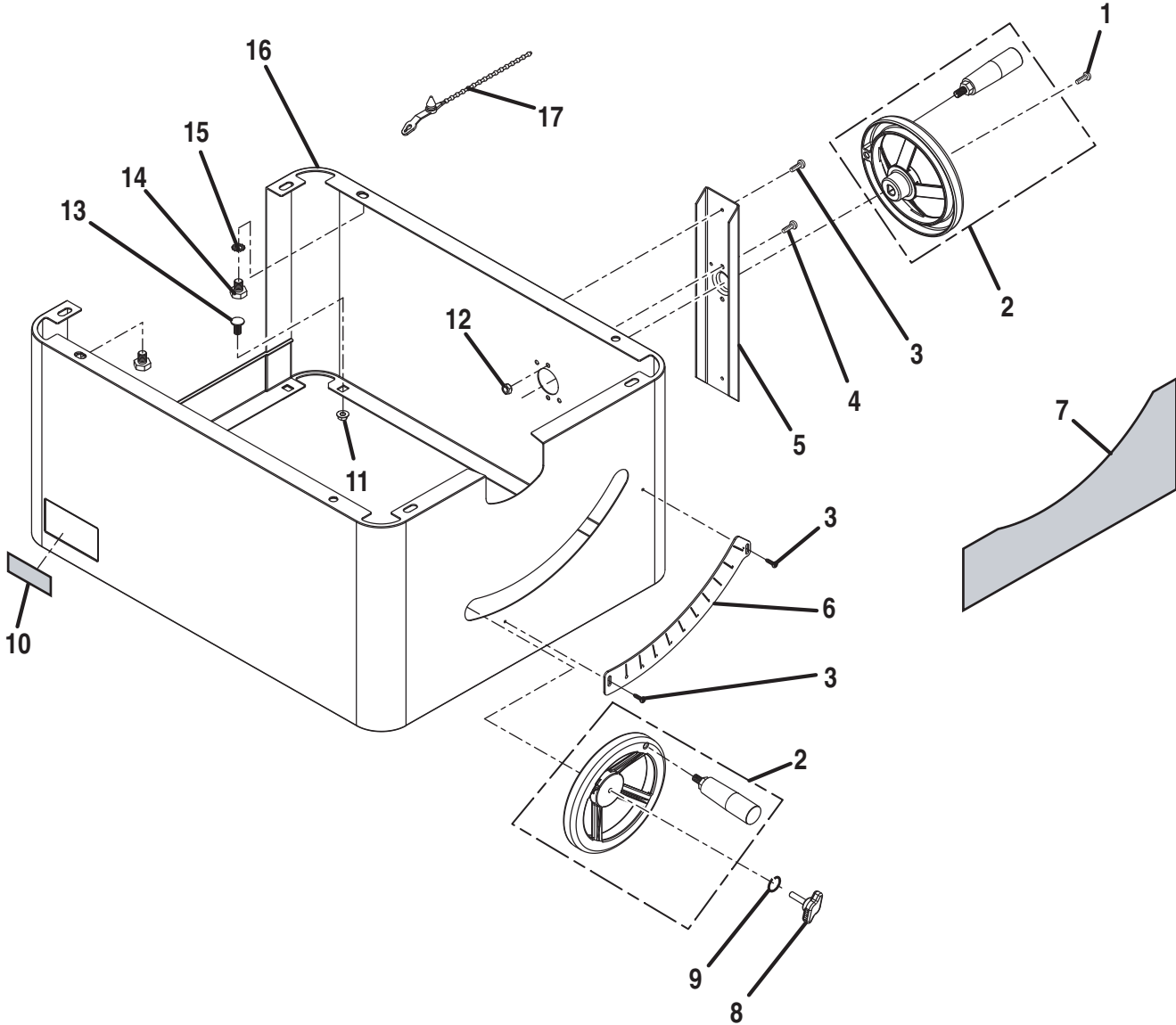
<b>KEY NO.</b>	<b>PART NO.</b>	<b>DESCRIPTION</b>	<b>QTY.</b>
1	TH1004	BLADE GUARD ASSEMBLY .....	1
2	TH100401	WARNING LABEL .....	1
3	TH100092	PIN (1/4 x 1-3/4 in.).....	1
4	HU300100	PUSH NUT.....	2
5	TH100043	BLADE GUARD.....	1
6	TH100412	HEX NUT (10-32) .....	1
7	HU190200	WASHER (5.3 x 14 x 1).....	2
8	TH100044	SEPARATOR (SPLITTER).....	2
9	TH100018	SPACER.....	2
10	TH100065	ROLL PIN (3/16 x 15/16 in.).....	1
11	TH100046	SPRING .....	1
12	TH1010	SEPARATOR (SPLITTER).....	1
13	TH100411	SCREW (10-32 x 7/8 in.).....	1
14	TH100402	SCREW (1/4-20 in. HEX HD.) .....	1
15	TH100042	GUARD SUPPORT .....	1
16	HU160100	LOCK NUT (1/4-20) .....	1
17	TH100403	NO HANDS WARNING LABEL .....	1





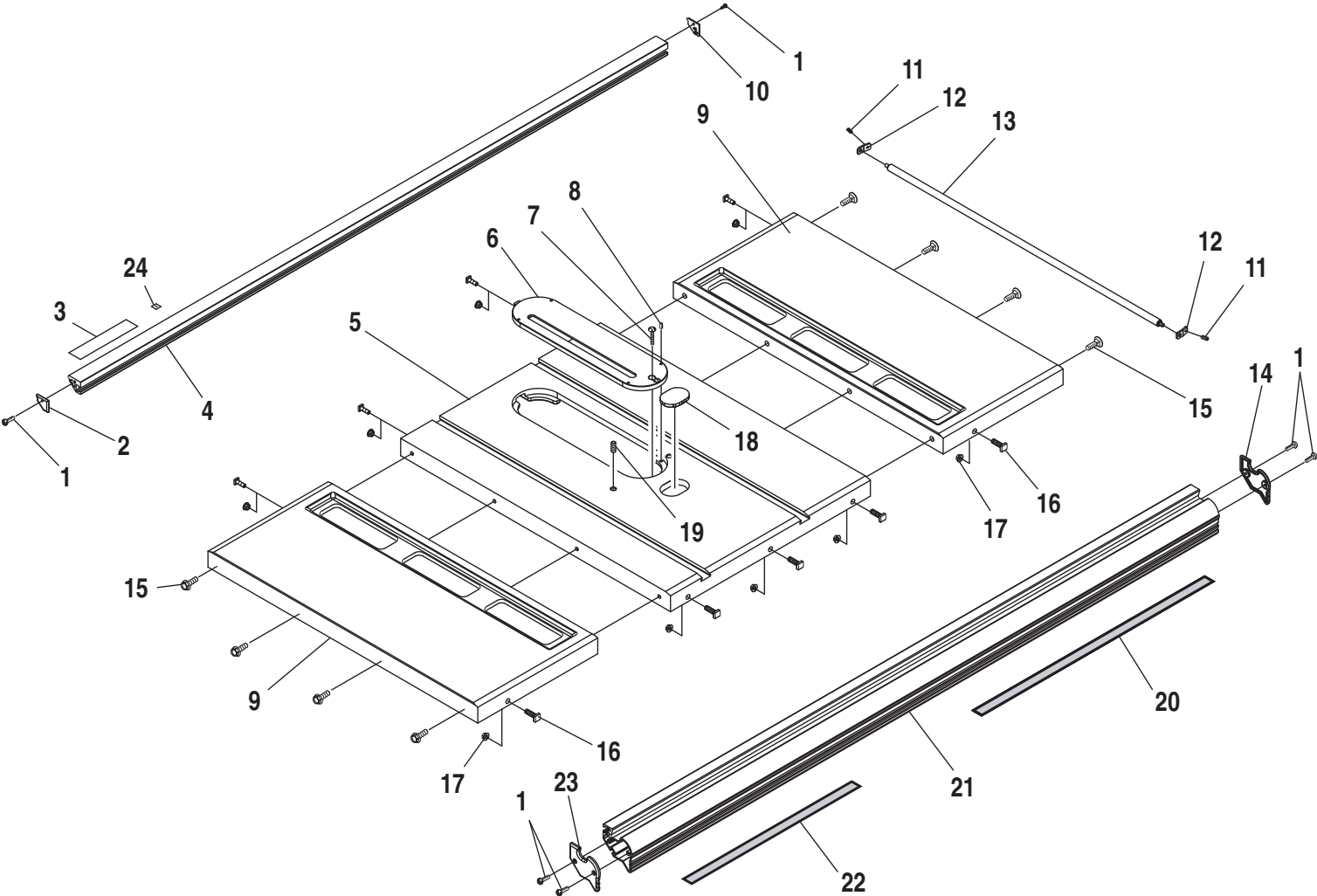
**PARTS LIST FOR FIGURE E**

KEY NO.	PART NO.	DESCRIPTION	QTY.
1	TH1009	MOTOR/MOTOR BASE AND SWITCH ASSEMBLY .....	1
2	HU150500	HEX NUT (5/16-18).....	4
3	HU200400	LOCK WASHER (8.4 x 15) .....	4
4	TH100014	MOTOR BASE .....	1
5	HU070101	CARRIAGE BOLT (5/16-18 x 1/2 in.) .....	4
6	HU230100	RETAINING RING .....	2
7	TH100017	SPRING .....	1
8	TH1012	MOTOR BASE SUPPORT .....	1
9	TH100045	SPACER.....	1
10	HU190300	WASHER (6.7 x 19 1).....	1
11	HU060101	SCREW (1/4-20 SOC BUTTON) .....	1
12	TH100015	HINGE PIN.....	1
13	HU140203	SET SCREW (5/16-18 x 1/2 in.).....	1
14	TH100064	PULLEY .....	1
15	HU290101	KEY.....	1
16	TH100085	MOTOR.....	1
17	JE0B0C01	SWITCH LOCKING.....	1
18	HU090101	SCREW (10-32 x 3/8 in. PAN HD.).....	3
19	TH100047	SWITCH HOUSING .....	1
20	HN031000	STRAIN RELIEF .....	2
21	TH100089	CORD WITH PLUG.....	1
22	HU150200	HEX NUT (10-32) .....	3
23	HU130101	SCREW WITH LOCK WASHER (10-32 x 3/8 in. PAN HD.).....	2
24	HU180100	SQUARE NUT (10-32).....	2
25	PG1A0N06	GROUNDING LABELS .....	2
26	TH100048	SWITCH HOUSING BRACKET .....	1
27	HU200200	LOCK WASHER (5.3 x 10 x 0.6) .....	2
28	TH100088	CORD .....	1
29	TH1011	BELT GUARD ASSEMBLY .....	1
30	TH100066	BELT GUARD A .....	1
31	TH100067	BELT GUARD B .....	1
32	HU170100	FLANGE NUT (M5 x 0.8).....	4
33	JE0B0C03	SWITCH KEY .....	1
34	HU191300	WASHER.....	4
35	TH100903	VOLTAGE LABEL .....	1
36	TH100901	MOTOR WIRING DIAGRAM LABEL (NOT SHOWN) .....	1



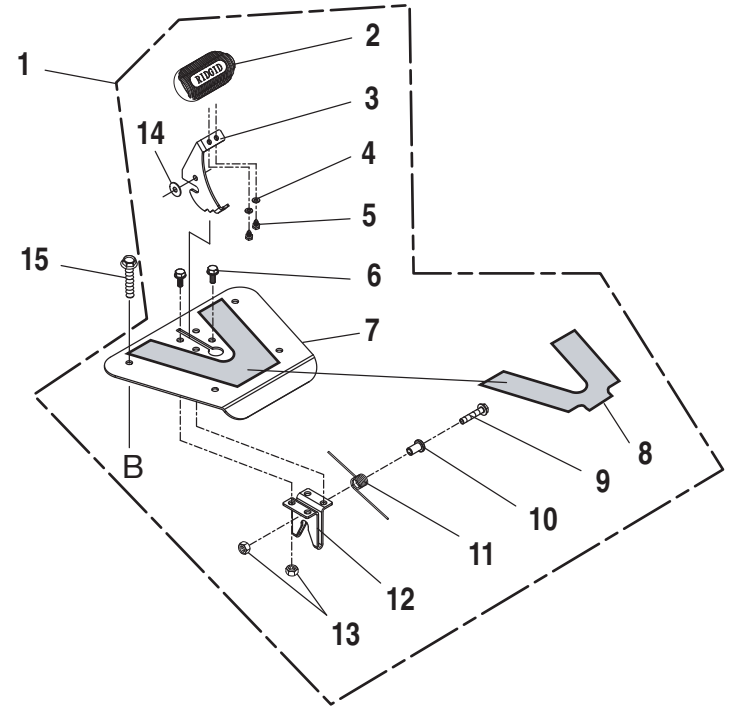
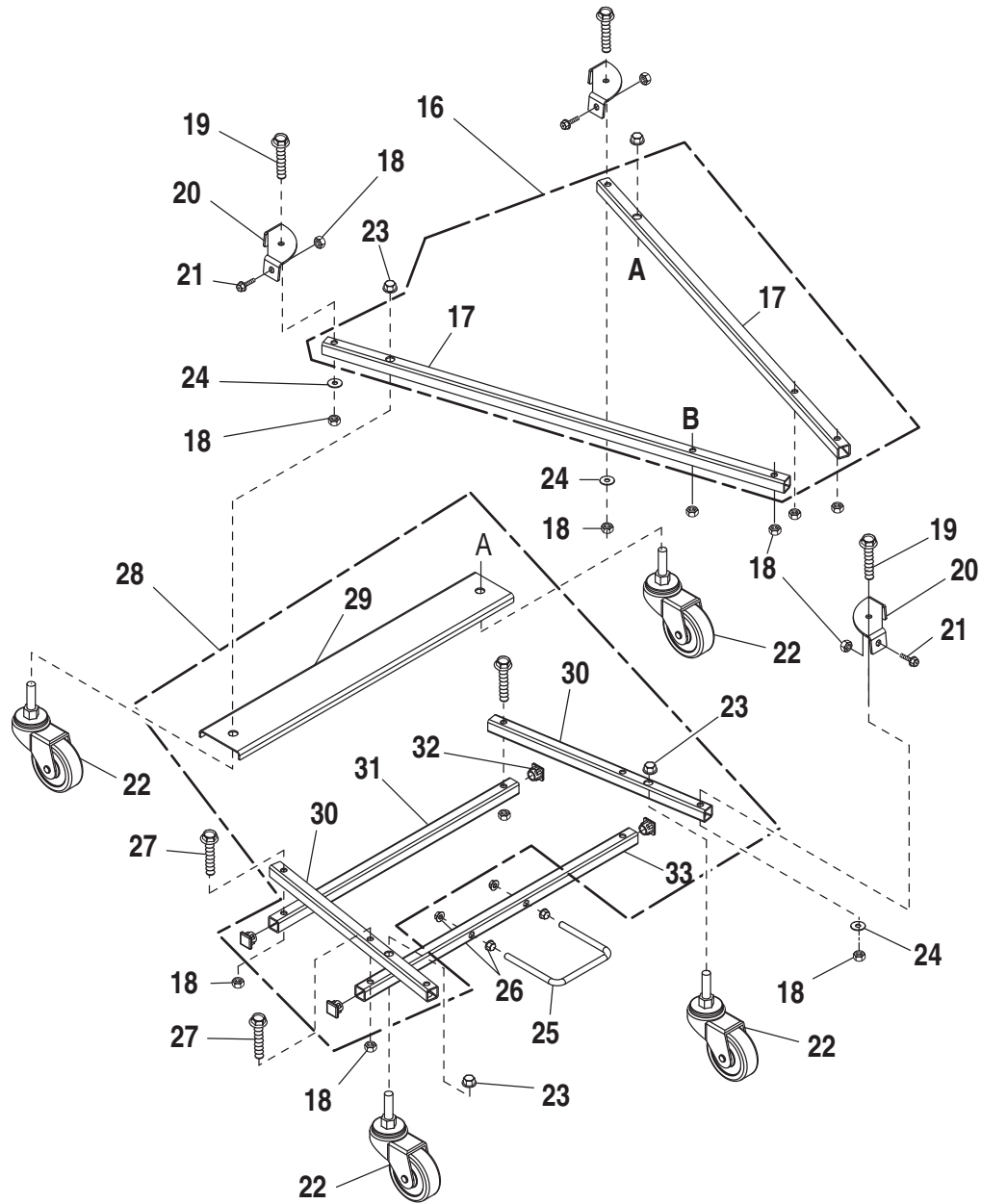
**PARTS LIST FOR FIGURE F**

KEY NO.	PART NO.	DESCRIPTION	QTY.
1	HU130202	SCREW (1/4-20 x 5/8 in. PAN HD.)	1
2	TH1001	HANDWHEEL ASSEMBLY	2
3	HU080102	SCREW (M4.5 x 1.81 x 9 mm PAN HD.)	4
4	HU040203	SCREW (10-32 x 1/2 in. PAN HEAD)	2
5	TH100010	STIFFENER BASE	1
6	TH100076	BEVEL SCALE PLATE	1
7	080035002900	FRONT PANEL LABEL	1
8	TH100060	HANDWHEEL KNOB	1
9	HU200300	LOCK WASHER (6.4 x 11)	1
10	080035002901	DATA LABEL	1
11	HU170300	FLANGE NUT (5/16-18)	8
12	HU160300	HEX NUT (10-32)	2
13	HU070102	CARRIAGE BOLT (5/16-18 x 5/8 in.)	8
14	HU010301	SCREW (3/8-16 x 1/2 in. HEX HD.)	4
15	HU200500	LOCK WASHER (10.5 x 18)	4
16	TH1003	BASE	1
17	TH100081	TIE WRAP	3



**PARTS LIST FOR FIGURE G**

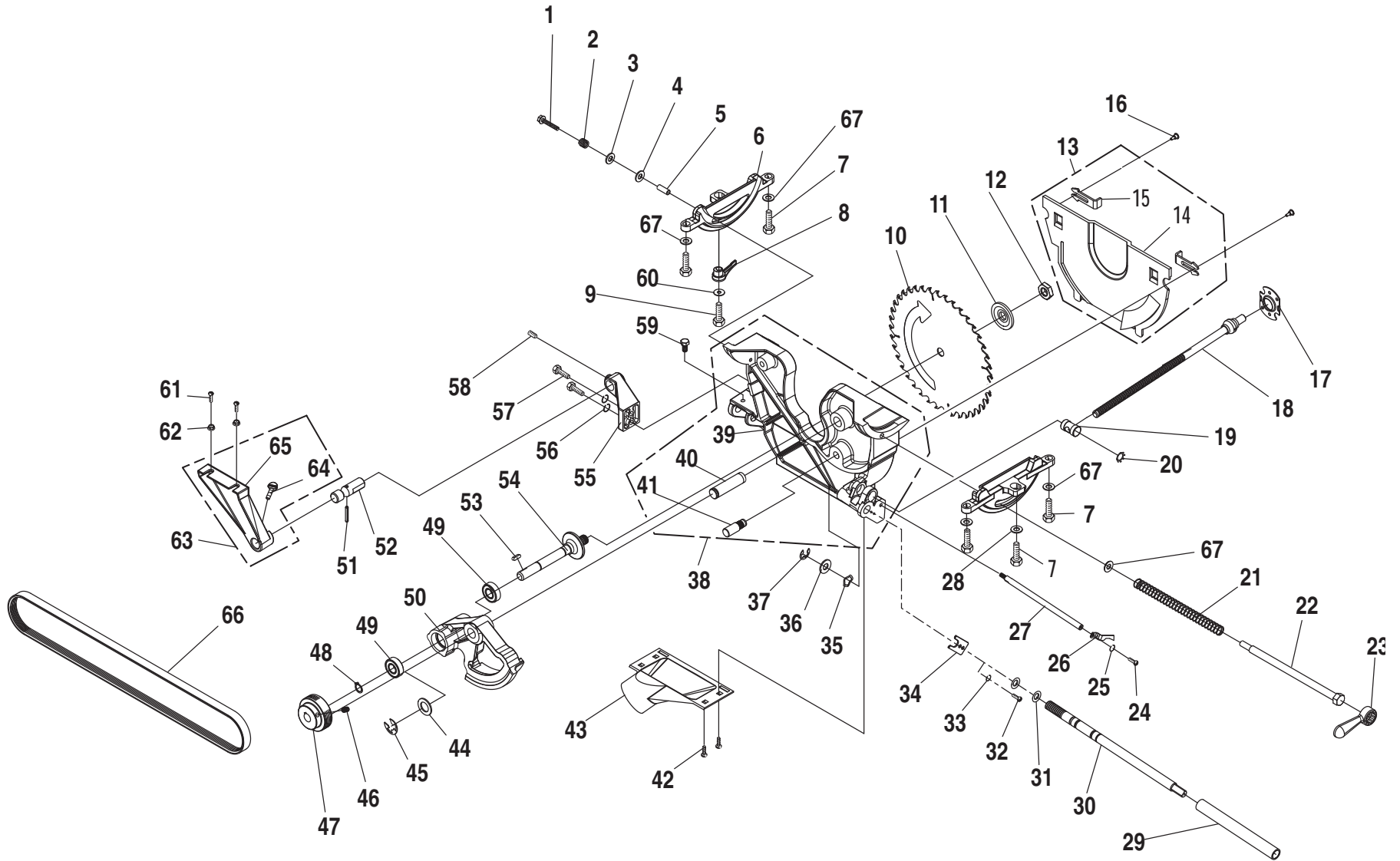
KEY NO.	PART NO.	DESCRIPTION	QTY.
1	HU080301	SCREW (M4 x 1.59 x 12 mm PAN HD.).....	6
2	TH100053	LEFT REAR RAIL CAP.....	1
3	TH102102	REAR RAIL LABEL.....	1
4	080035002702	REAR RAIL ASSEMBLY (INC. KEY NOS. 3 AND 24).....	1
5	TH100001	TABLE.....	1
6	TH100050	THROAT PLATE INSERT.....	1
7	TH100025	SCREW (10-32 x 1-1/4 in. FLAT HD.).....	1
8	HU140101	NYLOK SET SCREW.....	4
9	TH100049	EXTENSION TABLE.....	2
10	TH100052	RIGHT REAR RAIL CAP.....	1
11	HU030303	SET SCREW (10-32 x 7/16 in.).....	2
12	TH100055	SUPPORT ROD PLATE.....	2
13	TH100054	SUPPORT ROD.....	1
14	TH100098	RIGHT FRONT RAIL CAP.....	1
15	HU100101	SCREW W/LOCKWASHER & WASHER (5/16-18 x 3/4 in. HEX HD.).....	8
16	TH100094	SQUARE HEAD BOLT (5/16-18 x 1 in.).....	9
17	HU170300	FLANGE NUT (5/16-18).....	9
18	TH100051	IND-I-CUT- INSERT.....	1
19	HU140304	SET SCREW (3/8-16 x 3/4 in.).....	2
20	TH100083	RIGHT RIP SCALE.....	1
21	080035002701	FRONT RAIL ASSEMBLY (INC. KEY NOS. 20 AND 22).....	1
22	TH100082	LEFT RIP SCALE.....	1
23	TH100097	LEFT FRONT RAIL CAP.....	1
24	TH102103	INDICATOR.....	1
25	TH1017	BAG OF LOOSE PARTS (NOT SHOWN).....	1
26	TH1025	CARTON W/RAILS AND END CAPS (NOT SHOWN).....	1



## PARTS LIST FOR FIGURE H

KEY NO.	PART NO.	DESCRIPTION	QTY.
1	TH1015	HERC-U-LIFT PLATE ASSEMBLY .....	1
2	TH100505	FOOT PEDAL.....	1
3	TH100504	CAM LATCH .....	1
4	HU190100	WASHER (M5 x 12 x 1.5).....	2
5	HU080201	SCREW (M5 x 2.12 x 12 PAN HD.).....	2
6	HU110101	SCREW WITH WASHER (1/4-20 x 5/8 in.) .....	4
7	TH100502	FOOT PLATE.....	1
8	TH101501	WARNING LABEL.....	1
9	HU110103	SCREW WITH WASHER (1/4-20 x 1-5/8 in.).....	1
10	TH100507	MANDREL BUSHING .....	1
11	TH100506	TORSION SPRING .....	1
12	TH100503	LATCH BRACKET .....	1
13	HU160100	LOCK NUT (1/4-20) .....	5
14	HU191200	WASHER (6.2 x 19 x 1).....	1
15	HU110102	SCREW WITH WASHER (1/4-20 x 1-1/2 in.).....	4
16	TH1023	REAR TUBE W/PACKAGING.....	1
17	TH100508	REAR TUBE .....	2
18	HU160100	LOCK NUT (1/4-20) .....	20
19	HU110105	SCREW WITH WASHER (1/4-20 x 1-5/8 in.).....	4
20	TH100515	LEG BRACKET .....	4
21	HU010101	SCREW (1/4-20 x 1/2 in. HEX HD) .....	8
22	TH100514	3 in. CASTER.....	4
23	HU170400	FLANGE NUT (7/16-14).....	4
24	HU190900	WASHER (6.4 x 16.0 x 1.6t).....	4
25	TH100501	U-BOLT.....	1
26	HU170300	FLANGE NUT (5/16-18).....	4
27	HU110104	SCREW WITH WASHER (1/4-20 x 2 in.).....	4
28	TH1022	FRONT TUBE W/PACKAGING .....	1
29	TH100509	CENTER BRACE.....	1
30	TH100512	FRONT TUBE .....	2
31	TH100511	TUBE SUPPORT.....	1
32	TH100513	PLUG .....	4
33	TH100510	U-BOLT TUBE .....	1
34	TH1018	HARDWARE BLISTER PACK FOR HERC-U-LIFT (NOT SHOWN) .....	1
	987000179	OPERATOR'S MANUAL (080035002005)	
	3-27-09		
	(REV:04)		





## PARTS LIST FOR FIGURE I

KEY NO.	PART NO.	DESCRIPTION	QTY.	KEY NO.	PART NO.	DESCRIPTION	QTY.
1	TH100093	SCREW (1/4-20 x 1-1/2 in. HEX WASHER HD.).....	1	36	HU190800	WASHER (16 x 25 x 1.5).....	1
2	TH100063	SPRING .....	1	37	HU230200	RETAINING RING .....	1
3	HU191400	WASHER (10.5 x 19 x 2.0).....	1	38	TH1013	CRADLE ASSEMBLY .....	1
4	TH100080	KNOB CLAMP WASHER.....	1	39	TH100002	CRADLE.....	1
5	TH100030	SPACER.....	1	40	TH100012	SHAFT .....	1
6	TH100003	TABLE TRUNNION .....	2	41	TH100011	PIN.....	1
7	HU010304	SCREW (3/8-16 x 1 in. HEX HD.) .....	5	42	HU120101	SCREW (3/16-24 x 1/2 in.) .....	4
8	TH100021	ECCENTRIC LEVER .....	1	43	TH100034	SAWDUST CHUTE .....	1
9	HU010305	SCREW (3/8-16 x 1-3/8 in.).....	1	44	TH100090	WASHER (19 x 32 x 2).....	1
10	089037005104	BLADE .....	1	45	HU230300	RETAINING RING .....	1
11	TH100023	BLADE WASHER.....	1	46	HU140203	NYLON SET SCREW (5/16-18 x 1/2 in.).....	1
12	TH100079	BLADE NUT .....	1	47	TH100006	ARBOR PULLEY.....	1
13	TH1014	BLADE COVER ASSEMBLY .....	1	48	HU240100	RETAINING RING .....	1
14	TH100032	BLADE COVER.....	1	49	HJ036300	BALL BEARING .....	2
15	TH100033	SLIDING LATCH .....	2	50	TH100004	ARBOR HOUSING.....	1
16	TH100095	SHOULDER SCREW .....	2	51	HU280202	ROLL PIN.....	1
17	TH100009	RETAINING BEARING .....	1	52	TH100022	GUARD MOUNTING ROD.....	1
18	TH1008	THREADED TILT ROD .....	1	53	HU290101	KEY.....	1
19	TH100075	TILT NUT (KNUCKLE).....	1	54	TH100005	ARBOR SHAFT.....	1
20	TH010077	RETAINING RING .....	1	55	TH100019	GUARD SUPPORT .....	1
21	TH100026	CLAMP SCREW SPRING.....	1	56	HU200400	LOCK WASHER (8.4 x 15 x 0.8) .....	2
22	TH100027	CLAMP SCREW .....	1	57	HU010204	SCREW (5/16-18 x 1 in. HEX HD) .....	2
23	TH100028	HANDLE CLAMP SCREW .....	1	58	HU030202	SET SCREW (5/16-18 x 1/2 in.).....	1
24	HU040302	SCREW (10-24 x 3/8 in. PAN HD.) .....	1	59	HU010202	SCREW (5/16-18 x 5/8 in. HEX HD) .....	2
25	HU200200	LOCK WASHER (5.3 x 10 x 0.6).....	1	60	HU190600	WASHER (10.5 x 19 1.5).....	1
26	TH100062	POINTER .....	1	61	HU010102	SCREW (1/4-20 x 5/8 in. HEX HD.) .....	2
27	TH100073	POINTER ROD.....	1	62	HU170200	FLANGE NUT (1/4-20).....	2
28	HU190700	WASHER (10.5 x 23 x 3.0).....	1	63	TH1026	GUARD SUPPORT ASSEMBLY .....	1
29	TH100031	SLEEVE.....	1	64	TH100084	THUMB SCREW.....	1
30	TH100029	LIFT SCREW.....	1	65	TH100020	SPREADER SUPPORT .....	1
31	HM081100	O RING .....	2	66	HK140430	V BELT .....	1
32	HU020101	CAP SCREW (10-24 x 3/8 in.) .....	2	67	HU190500	WASHER (10.3 x 22 x 2.0).....	5
33	HU210100	LOCK WASHER (5.1 x 9.3).....	2	68	TH100071	WRENCH (NOT SHOWN).....	2
34	TH100074	BRACKET .....	1	69	TH1016	HARDWARE BLISTER PACK FOR SAW (NOT SHOWN)...	1
35	HU220100	WASHER .....	1	70	TH100068	SHIM WASHER (NOT SHOWN).....	1