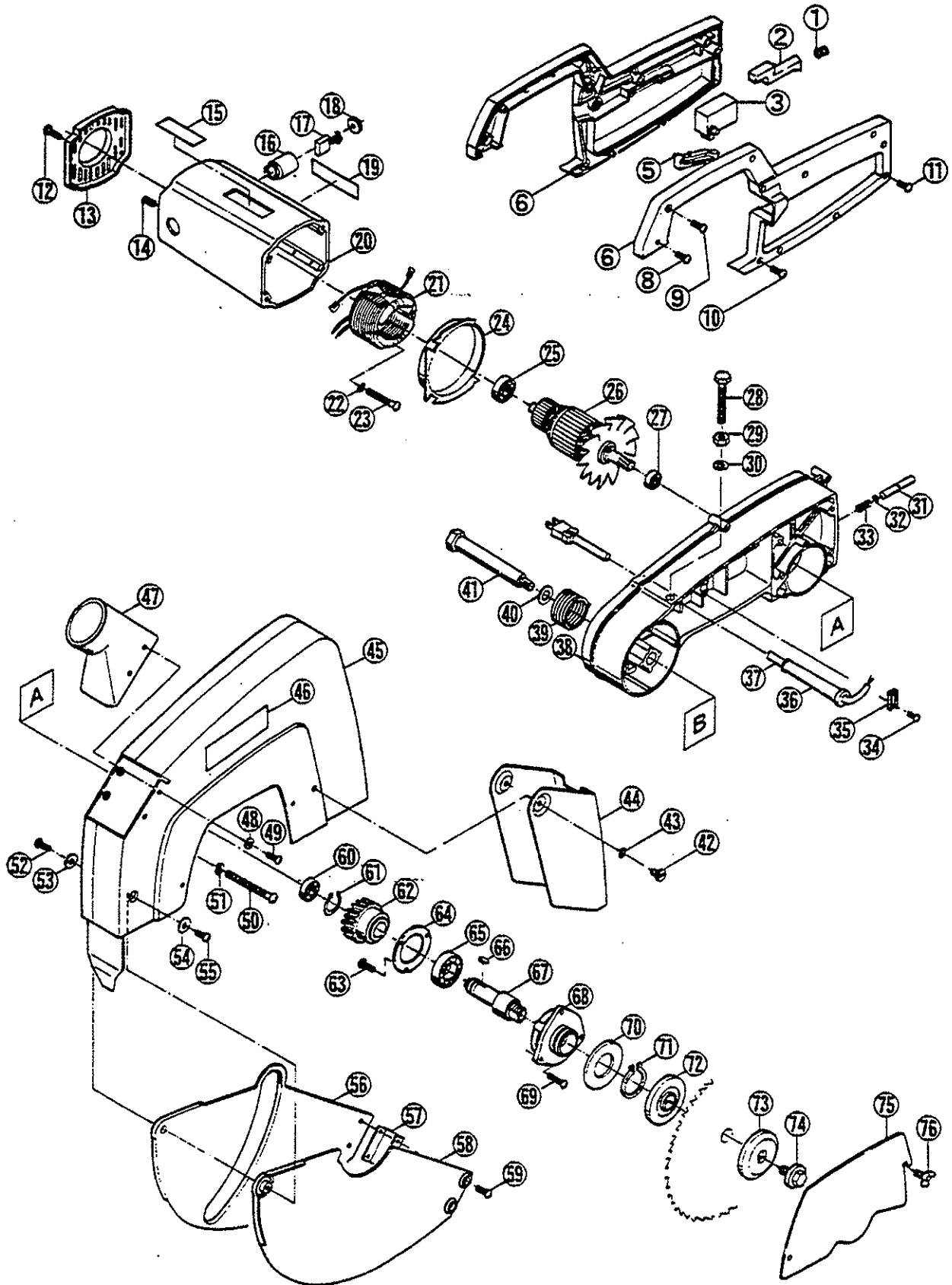


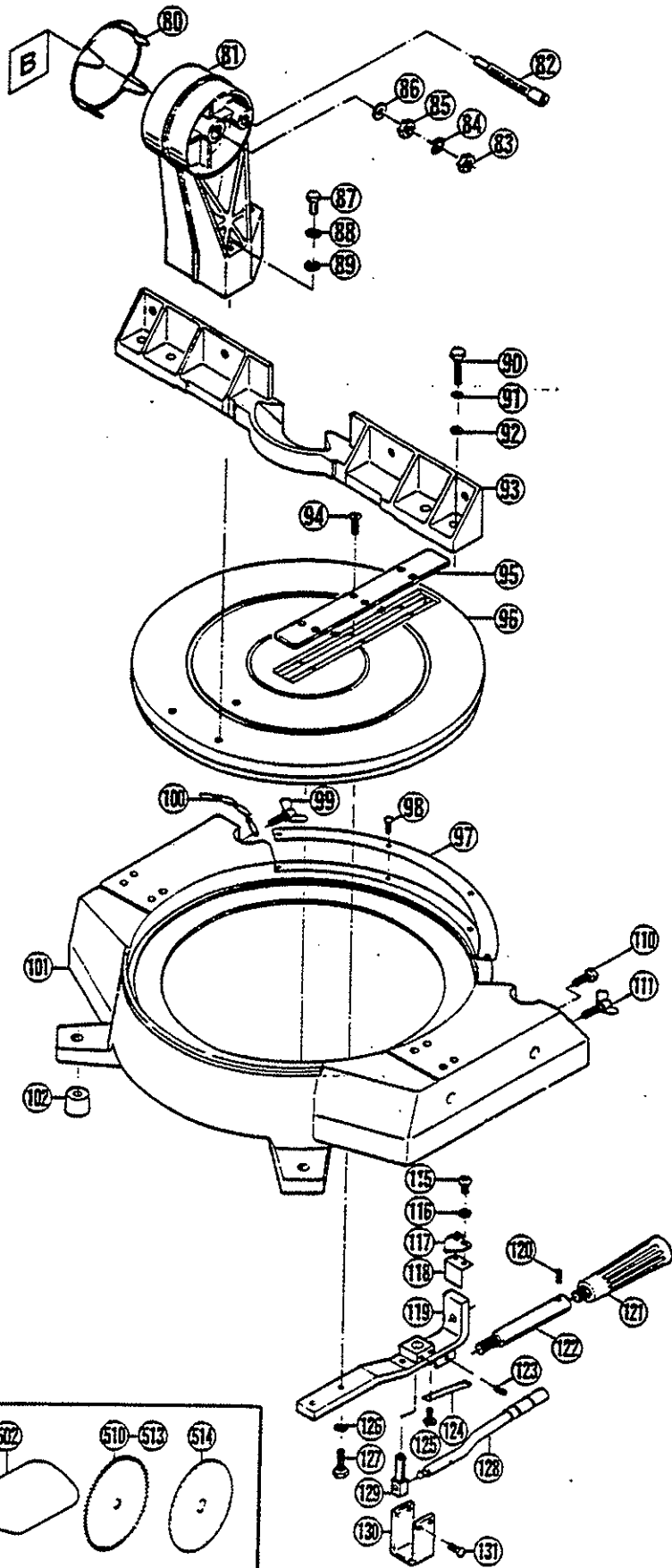
MITER SAW

TS-380



MITER SAW

TS-380



PARTS LIST FOR AFTER SALES SERVICE MODEL TS380

REF	PART NO.	DESCRIPTION	QTY	REF	PART NO.	DESCRIPTION	QTY
1	3180002	COMPRESSION SPRING	1	52	9020510	PHILLIPS PAN SCREW M5X10	1
2	3360002	LEVER	1	53	6900146	WASHER	1
3	3550001	TRIGGER SWITCH	1	54	6900146	WASHER	1
5	6360005	TRIGGER	1	55	9020510	PHILLIPS PAN SCREW M5X10	1
6	6081102	HANDLE	1	56	6880239	LOWER GUARD	1
8	9040514	TAPPING SCREW (S) M5X14	2	57	6150365	GUARD CLAMP	1
9	9060422	TAPPING SCREW (B) M4X22	2	58	6880236	LOWER GUARD	1
10	9040514	TAPPING SCREW (S) M5X14	6	59	9020410	PHILLIPS PAN SCREW M4X10	4
11	9060422	TAPPING SCREW (B) M4X22	6	60	969235005	BALL BEARING #6200LLB	1
12	9000616	PHILLIPS PAN SCREW M6X16	4	61	9512000	RETAINING RING S-20	1
13	6800300	TAIL COVER	1	62	6200040	FINAL GEAR	1
14	9280508	CLAMP SCREW M5X8	2	63	9040510	TAPPING SCREW (S) M5X10	3
15	6920007	"RYOBI" MARK	1	64	6150359	BEARING PLATE	1
16	6570032	BRUSH HOLDER	2	65	9846204	BALL BEARING #6204LLB	1
17	6540203	CARBON BRUSH SET	1	66	6100224	PARALLEL KEY	1
18	6570033	BRUSH CAP	2	67	6110046	GEAR SHAFT	1
19	6913385	NAME PLATE	1	68	6820179	GEAR CASE COVER	1
20	6800593	MOTOR HOUSING	1	69	9040514	TAPPING SCREW (S) M5X14	3
21	6500298	FIELD COIL	1	70	6150356	CLAMP PLATE	1
22	9550500	SPRING WASHER M5	2	71	9513400	RETAINING RING S-34	1
23	9000585	PHILLIPS PAN SCREW M5X85	2	72	6940101	INNER FLANGE	1
24	6490123	FAN CASING	1	73	6940102	OUTER FLANGE	1
25	969235005	BALL BEARING #6200LLB	1	74	6130263	HEX HEAD BOLT (L.H.T.) M10X16	1
26	6030317	ARMATURE	1	75	6880249	SAFETY COVER	1
27	969235004	BALL BEARING #6002LLB	1	76	9240510	WING BOLT M5X10	2
28	9191070	HEX HEAD BOLT M10X70	1	80	6150350	THRUST PLATE	1
29	9301000	HEX NUT M10	1	81	6320030	HINGE	1
30	9571000	WASHER	1	82	6130260	SET SCREW	1
31	6120065	STOPPER PIN	1	83	9321200	HEX NUT M12	1
32	9500600	RETAINING RING E-6	1	84	9551200	SPRING WASHER M12	1
33	6180049	COMPRESSION SPRING	1	85	9301200	HEX NUT M12	1
34	9040412	TAPPING SCREW (S) M4X12	2	86	9571200	WASHER	1
35	6560103	CORD CLAMP	1	87	6130265	HEX HEAD BOLT M8X35	3
36	6560049	CORD HOLDER	1	88	9550800	SPRING WASHER M8	3
37	6520296	CORD ASS'Y AWG#14X2X2.5	1	89	9560800	WASHER	3
38	6800299	FRAME	1	90	6130265	HEX HEAD BOLT M8X35	4
39	6180047	TORSION SPRING	1	91	9550800	SPRING WASHER M8	4
40	6900222	WASHER	1	92	9560800	WASHER	4
41	6120067	FULCRUM PIN	1	93	6950058	RULER	1
42	6130262	BOLT	2	94	9150410	FLAT TAPPING SCREW (S) M4X10	6
43	9550500	SPRING WASHER M5	2	95	6390019	SAW GUIDE PLATE	1
44	6880245	GUARD COVER	1	96	6320024	TURN TABLE	1
45	6020059	SAFETY GUARD	1	97	6950062	BEVEL SCALE LABEL	1
46	6920190	"RYOBI" MARK	1	98	6120013	RIVET #2X4.8	4
47	6370043	DUST GUIDE	1	99	9240635	WING BOLT M6X35	1
48	9570400	WASHER	4	100	6290011	CHAIN	1
49	9020412	PHILLIPS PAN SCREW M4X12	4	101	6850090	BASE	1
50	9000585	PHILLIPS PAN SCREW M5X85	4	102	6370041	FOOT	4
51	9550500	SPRING WASHER M5	4	110	9190815	HEX HEAD BOLT M8X15	1

**PARTS LIST FOR AFTER SALES SERVICE
MODEL TS380**

	9240635	WING BOLT M6X35	1			
	9020410	PHILLIPS PAN SCREW M4X10	2			
116	9560400	WASHER	2			
117	6950060	ANGLE PLATE	1			
118	6150362	CLAMP PLATE	2			
119	6090057	LEVER	1			
120	9403014	SPRING PIN	1			
121	6830851	AUX. HANDLE	1			
122	6130259	HANDLE JOINT	1			
123	9403018	SPRING PIN 3X14	1			
124	6180046	PLATE SPRING	1			
125	9020410	PHILLIPS PAN SCREW M4X10	1			
126	9550800	SPRING WASHER M8	3			
127	6130266	HEX HEAD BOLT M8X25	3			
128	6830275	LEVER	1			
129	6100050	STOPPER	1			
130	6150353	COVER	1			
131	9020410	PHILLIPS PAN SCREW M4X10	4			
--	6530134	TIGHTENING BAND	1			
--	6530209	FASTEN CONNECTOR	1			
--	6590113	VINYL TUBE AWG#0	1			
--	6590115	VINYL TUBE AWG#6/16	1			
		STANDARD ACCESSORIES				
500	6240533	SINGLE-END WRENCH 17	1			
501	6240163	OPEN-END WRENCH 13X22	1			
502	6070473	DUST BAG	1			
511	6651843	15" SAW BLADE	1			

SERVICE NOTES: