

Ryobi
10 in. Sliding Compound
Miter Saw With Laser
Model No. TSS102L
Repair Sheet

RYOBI 10 in. SLIDING COMPOUND MITER SAW – MODEL NO. TSS102L

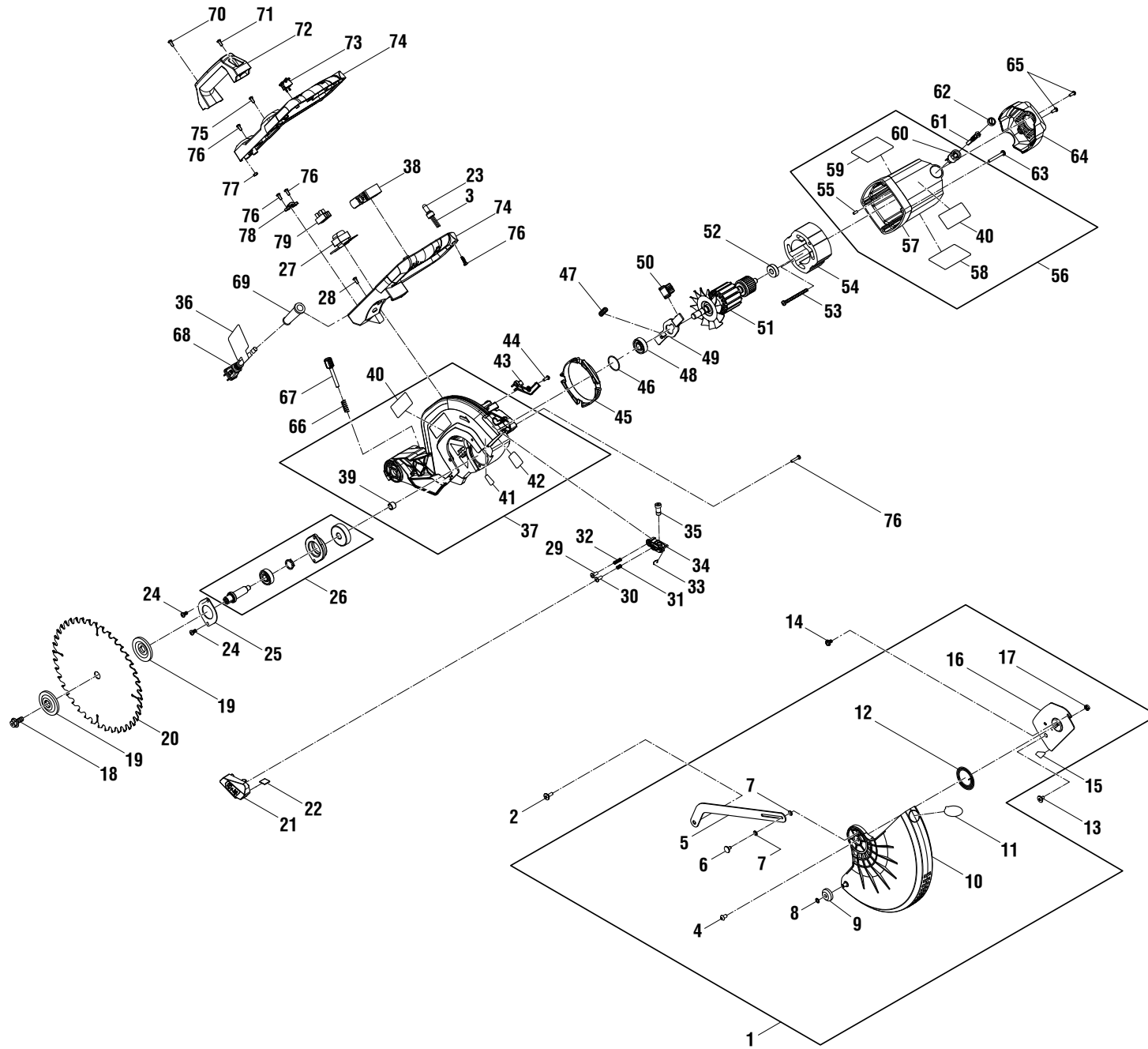


FIGURE A

RYOBI 10 in. SLIDING COMPOUND MITER SAW – MODEL NO. TSS102L

The model number will be found on a label attached to the housing. Always mention the model number in all correspondence regarding your **MITER SAW** or when ordering replacement parts.

PARTS LIST – FIGURE A

KEY NO.	PART NUMBER	DESCRIPTION	QTY	KEY NO.	PART NUMBER	DESCRIPTION	QTY
1	080016005704	Lower Blade Guard Assembly (Inc. Key Nos. 3-12, 16-17 & 36).....	1	25	080016005063	Arbor Cap.....	1
2	089006017042	Screw (M6, Special).....	1	26	80016005713	Arbor Assembly.....	1
3	080016005092	Wire (Yellow).....	2	27	080016005097	Module.....	1
4	080016005107	Screw (M6 x 16 mm).....	1	28	080016005056	Screw (M5 x 12 mm, Pan Hd.).....	1
5	089006017078	Linkage Arm.....	1	29	080016005068	Screw (M4 x 25 mm, Pan Hd.).....	1
6	080016005106	Rivet (D5 x 16.5).....	1	30	080016005069	Screw (M4 x 15 mm).....	1
7	089006017065	Washer (ID5.2 x OD14 x 1.5t).....	2	31	080016005071	Compression Spring.....	1
8	089006017077	Push Nut (M5).....	1	32	080016005070	Compression Spring.....	1
9	089006017076	Lower Guard Wheel.....	1	33	080016005072	Laser Lock.....	1
10	089041013002	Lower Guard.....	1	34	080016005073	Laser Deck.....	1
11	089100207097	No Hands Label.....	1	35	080016005074	Laser.....	1
12	089006017074	Torsion Spring.....	1	36	080006014904	Cord Wrap Warning Label.....	1
13	089006017040	Screw (M5, Special).....	1	37	080016005734	Upper Blade Guard Assembly (Inc. Key Nos. 39-42).....	1
14	089006017041	Screw (M4 x 10mm).....	1	38	080016005716	Switch Assembly.....	1
15	089100207051	Blade Screw Direction Label.....	1	39	089006017105	Needle Bearing.....	1
16	089006017073	Internal Cap.....	1	40	080016005908	Logo Label.....	2
17	089006017081	Hex Nut (M6).....	1	41	080016005906	Lower Guard Warning Label.....	1
18	089006017064	Arbor Screw (M8 x 20 mm).....	1	42	080016005904	Apertrue Warning Label.....	1
19	089006017043	Blade Washer.....	2	43	080016005075	Laser Wire Cap.....	1
20	089100113804	Blade.....	1	44	080016005003	Screw (M4 x 10 mm).....	2
21	080016005018	Laser Cap.....	1	45	080016005076	Baffle.....	1
22	080016005019	Laser Deck.....	1	46	089110102275	O-Ring.....	1
23	089037007048	Wire Connector.....	1	47	080016005029	Compression Spring.....	1
24	089006017107	Screw (M5 x 20 mm, Pan Hd.).....	2	48	080016005077	Ball Bearing (6201RSZ).....	1

RYOBI 10 in. SLIDING COMPOUND MITER SAW – MODEL NO. TSS102L

The model number will be found on a label attached to the housing. Always mention the model number in all correspondence regarding your **MITER SAW** or when ordering replacement parts.

PARTS LIST – FIGURE A

KEY NO.	PART NUMBER	DESCRIPTION	QTY	KEY NO.	PART NUMBER	DESCRIPTION	QTY
49	080016005078	Safe Plate	1	66	080016005029	Compression Spring	2
50	080016005079	Safe Plate Cap.....	1	67	080016005090	Adjusting Knob.....	1
51	080016005080	Armature Assembly.....	1	68	080016005718	Power Cord Assembly (Inc. Key No. 36).....	1
52	080016005081	Ball Bearing (6000ZZ)	1	69	080016005098	Bend Relief	1
53	080016005082	Screw w/Washer (M5 x 60 mm).....	2	70	080016005104	Screw (M5 x 25 mm, Pan Hd.)	1
54	080016005083	Field Assembly.....	1	71	080016005103	Screw (M5 x 90 mm, Pan Hd.)	1
55	080016005085	Screw (M5 x 8 mm)	2	72	080016005102	Carry Handle	1
56	080016005715	Motor Housing Assembly (Inc. Key Nos. 40, 55 & 57-60).....	1	73	089006017056	Laser Switch.....	1
57	080016005084	Motor Housing	1	74	080016005717	D-Handle Assembly	1
58	080016005909	Data Label	1	75	080016005105	Screw w/Washer (M5 x 40 mm).....	4
59	080016005910	Warning Label (English).....	1	76	089006017051	Screw (M4 x 16 mm).....	12
60	089037012106	Brush Holder	2	77	080016005100	Hex Nut (M5)	1
61	080016005121	Brush Assembly	2	78	089006017062	Cord Clamp.....	1
62	080016005088	Brush Holder Cap.....	2	79	089038001051	Terminal Block.....	1
63	080016005086	Screw w/Washer (M5 x 50 mm)	4		NOT SHOWN		
64	080016005087	Motor End Cap	1		991000042	Operator's Manual	
65	089006017061	Screw (M4x12 mm).....	2		8-1-17		
					(Rev:06)		

RYOBI 10 in. SLIDING COMPOUND MITER SAW – MODEL NO. TSS102L

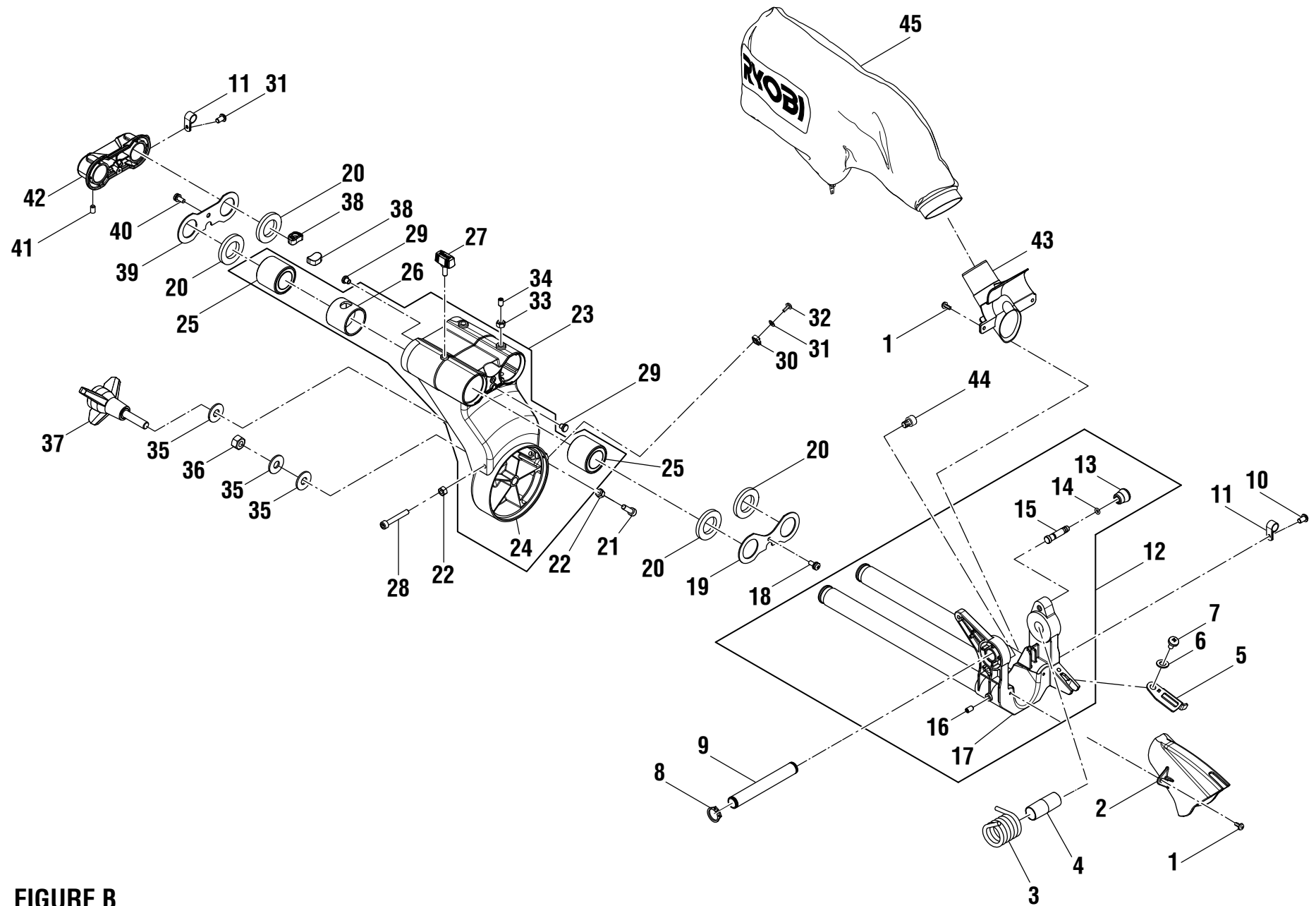


FIGURE B

RYOBI 10 in. SLIDING COMPOUND MITER SAW – MODEL NO. TSS102L

The model number will be found on a label attached to the housing. Always mention the model number in all correspondence regarding your **MITER SAW** or when ordering replacement parts.

PARTS LIST – FIGURE B

KEY NO.	PART NUMBER	DESCRIPTION	QTY	KEY NO.	PART NUMBER	DESCRIPTION	QTY
1	080016005003	Screw (M4 x 10 mm).....	4	24	080016005050	Slide Bracket	1
2	080016005004	Dust Chute.....	1	25	080016005051	Ball Bearing	2
3	080016005006	Compression Spring.....	1	26	080016005052	Spacer	1
4	080016005005	Pivot Spring Bushing.....	1	27	089041038052	Miter Gauge Knob	2
5	080016005041	Adjusting Plate (2T).....	1	28	080016005058	Screw (M6 x 45 mm).....	1
6	080016005042	Washer (ID8 x OD13 x 0.3t)	1	29	080016005048	Bumper.....	2
7	089006017040	Screw (M5, Special).....	1	30	080016005014	Bevel Indicator.....	1
8	089290001102	C-Ring	2	31	080016005015	Screw (M5 x 10 mm).....	1
9	080016005007	Spindle.....	1	32	080016005013	Screw (M4 x 6 mm, Pan Hd.).....	1
10	080016005008	Screw (M5 x 10 mm).....	1	33	080016005053	Hex Nut (M8).....	4
11	089110101081	Power Cord Clamp	2	34	080016005054	Screw (M8 x 20 mm, Hex Soc. Hd.)	4
12	080016005711	Knuckle Assembly (Inc. Key Nos. 13-17).....	1	35	089006017035	Washer (OD10 x ID26 x 2t)	3
13	080016005043	Lock Pin Knob	1	36	080016005017	Lock Nut (M10).....	1
14	089006017027	O-Ring	1	37	080016005016	Bevel Lock Lever	1
15	089006017026	Lock Pin.....	1	38	080016005049	Adjust Pad	4
16	080016005045	Screw (M6 x 8 mm).....	2	39	080016005057	Rear Cap.....	1
17	080016005046	Bevel Pivot.....	1	40	080016005056	Screw (M5 x 12 mm, Pan Hd.).....	1
18	080016005056	Screw (M5 x 12 mm, Pan Hd.).....	2	41	080016005062	Spring Pin	2
19	080016005061	Front Cap.....	1	42	080016005055	End Cap.....	1
20	080016005047	Felt Washer.....	4	43	080016005010	Dust Tube	1
21	080016005060	Screw (M6 x 25 mm, Hex Hd.).....	1	44	080016005009	Screw (M8 x 10 mm, Hex Hd.).....	1
22	080016005059	Hex Nut (M6).....	2	45	080016005706	Dust Bag Assembly	1
23	080016005712	Slide Bracket Assembly (Inc. Key Nos. 24-26)...	1				

RYOBI 10 in. SLIDING COMPOUND MITER SAW – MODEL NO. TSS102L

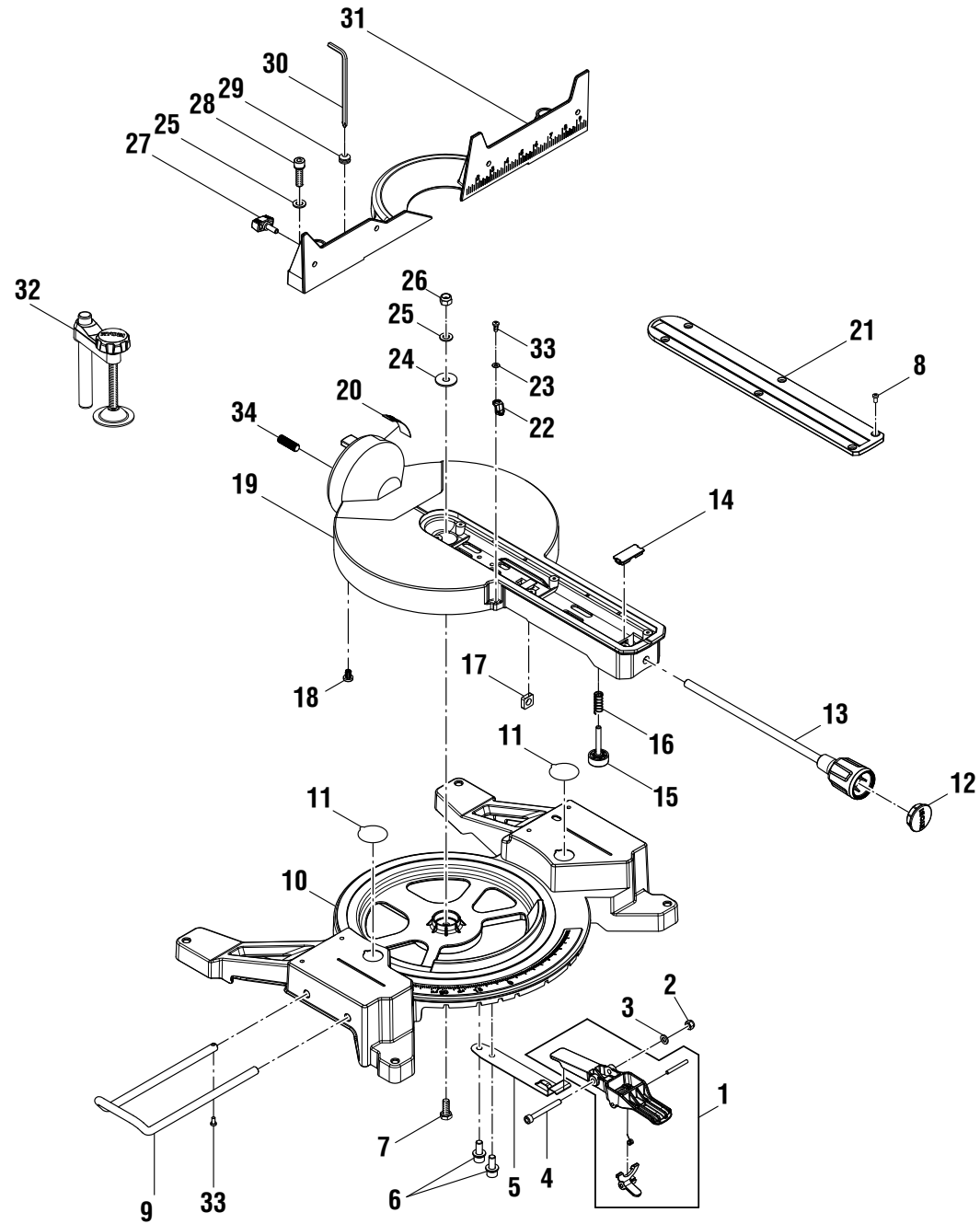


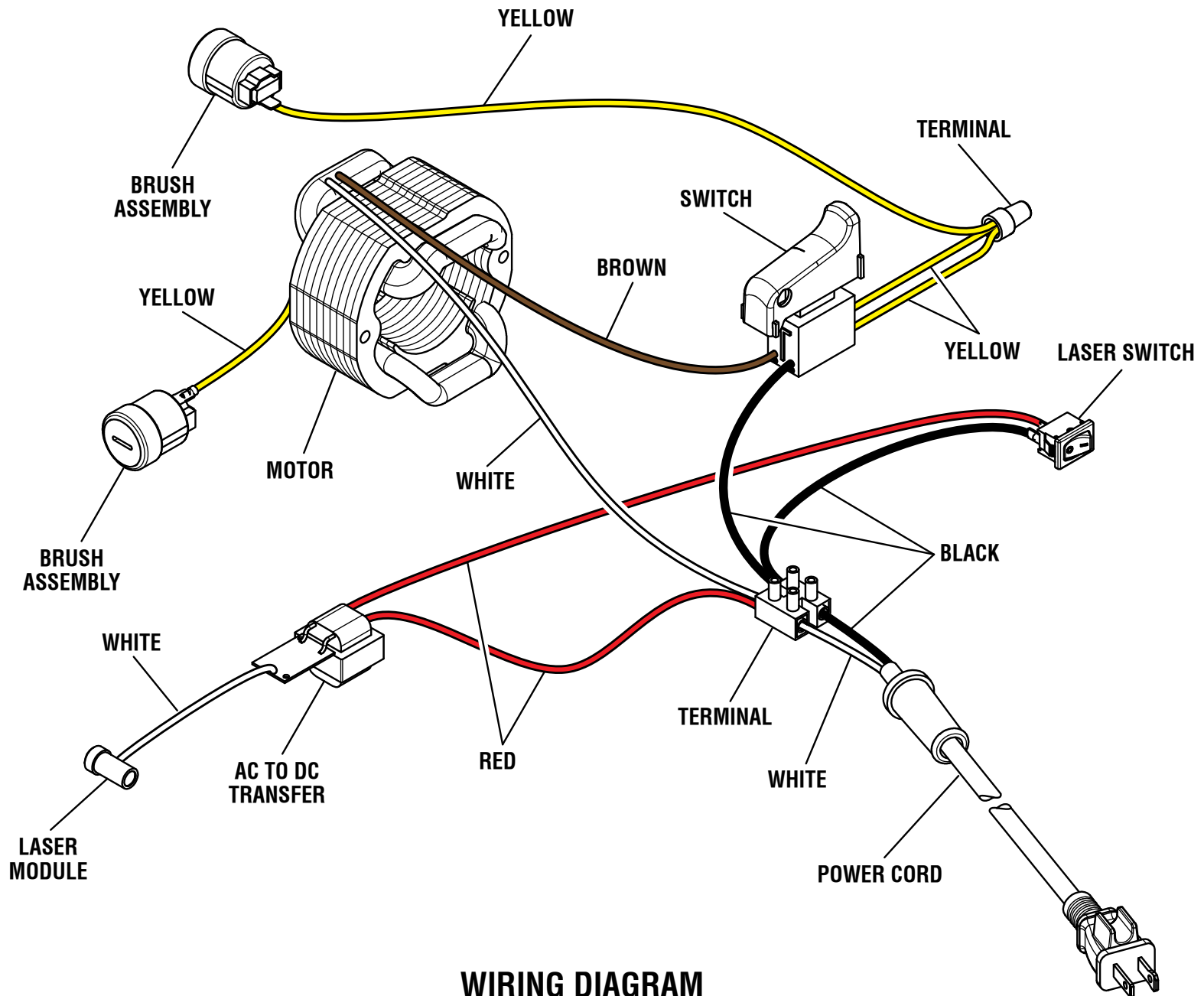
FIGURE C

RYOBI 10 in. SLIDING COMPOUND MITER SAW – MODEL NO. TSS102L

The model number will be found on a label attached to the housing. Always mention the model number in all correspondence regarding your **MITER SAW** or when ordering replacement parts.

PARTS LIST – FIGURE C

KEY NO.	PART NUMBER	DESCRIPTION	QTY	KEY NO.	PART NUMBER	DESCRIPTION	QTY
1	080016005707	Quick Positioning Assy.....	1	18	080016005034	Turring Pad	10
2	089006017081	Hex Nut (M6).....	1	19	080016005033	Table	1
3	089290001140	Washer (OD6.5 x ID13 x 1.5t)	1	20	080016005905	Bevel Scale.....	1
4	080016005026	Screw (M6 x 50 mm, Hex Soc. Hd.)	1	21	080016005119	Throat Plate	1
5	080016005027	Positioning Spring	1	22	080016005037	Miter Indicator	1
6	080016005025	Screw (M6 x 20 mm, Hex Hd.).....	2	23	089006017066	Washer (OD4 x ID8 x 1.0t)	1
7	089006017007	Screw (M8 x 20 mm, Hex Hd.).....	1	24	089006017071	Washer (OD8.25 x ID21.9 x 1.5t)	1
8	080016005003	Screw (M4 x 10 mm).....	6	25	089006017020	Washer (OD8 x ID16 x 1.5t)	5
9	080016005001	Extension Rod	2	26	089006017021	Hex Nut (M8).....	1
10	080016005708	Base Assembly (Inc. Key No. 11)	1	27	080016005038	Knob	2
11	089100207097	No Hands Label.....	2	28	080016005039	Screw w/Washer (M8 x 35 mm, Hex Hd.).....	4
12	080016005031	Lever Cap	1	29	089006017008	Hex Key Holder	1
13	080016005032	Lock Lever	1	30	089006017009	Blade Wrench (5 mm Hex Key).....	1
14	080016005036	Table Cap.....	1	31	080016005118	Fence.....	1
15	080016005028	Support Knob	1	32	080016005733	Work Clamp Assy	1
16	080016005029	Compression Spring.....	1	33	089006017015	Screw (M4 x 12 mm).....	3
17	080016005030	Square Nut (M10).....	1	34	080016005035	Bevel Bolt (M10 x 81.5 mm)	1



WIRING DIAGRAM