



**BOSCH**

# Angle Grinder

TWS 6700 | 3 601 C75 485

---

## Table of Content

Spare parts list.....	2
Illustration - Type.....	4

**Spare parts list**

<b>Item</b>	<b>Part Number</b>	<b>Description</b>		
1	1 619 P09 772	Motor Housing		
3/50	1 619 P10 684	Fan		
4	1 607 200 179	On-Off Switch		
5	1 604 460 263	Power supply cord H05 W-F	CN 2,65m 2 x 0,75mm	
6	2 600 703 012	Grommet	Ø6,5-Ø6,9x95 MM	
7	1 601 302 017	Fastening Clamp		
12	1 619 P07 647	Suppression Filter		
13	1 619 P00 456	Ball Bearing	7x19x6 MM	
14	1 619 P00 455	Ball Bearing		
16	1 619 P01 811	Brush Holder		
17	1 604 652 013	Spiral Spring		
18	1 604 611 031	Compression Spring		
22	1 602 319 009	Adjusting Slide		
23	1 619 P02 762	Switch Button	BLACK	
25	1 619 P20 072	Housing Cover		
26	1 600 502 023	Intermediate Ring		
27	1 600 206 025	Rubber Ring		
29	1 600 591 023	Air-Deflector Ring		
30	1 619 P10 683	Air-Deflector Ring		
32	1 619 P20 124	Grinding Spindle		
33	1 600 210 041	O-Ring	42,0x1,1 MM	
35	1 600 136 016	Shim	0,1 MM	THICK
35	1 600 136 017	Shim	0,2 MM	THICK
37	1 600 100 033	Cover Disc		
38	2 609 110 150	Conversion Gear		
39	2 609 110 149	Pinion		
45	2 915 011 007	Hex Nut	DIN 934-M6-8-A	
47	2 609 110 052	Special Screw		
48	1 619 P00 220	Torx Oval-Head Screw	3x10	
49	1 603 435 068	Thread-forming tap. Screw	DIN 7500, M4x10, SR10.2	
50	2 910 611 020	Tapping Screw	DIN 7981-ST3,9x19-C-H	
55	2 910 611 022	Tapping Screw	DIN 7981-ST3,9x25-C-H	
80	1 619 P09 390	Cover Disc		
802	1 619 P12 316	Field	220-240V	

Spare parts list

Item	Part Number	Description
803	1 619 P01 844	Armature 220-240V
810	1 619 P07 571	Carbon-Brush Set
821	1 605 806 466	Gear Housing
828	1 619 P02 708	Bearing Flange BLACK
840	1 607 000 298	Push-Button BLACK
841	1 600 910 018	Needle bearing Ø8xØ12x8 MM
857	2 910 641 081	Oval-Head Screw DIN7985-M3,5x5-4.8-H
650/10	1 602 025 09T	Auxiliary Handle
650/20	1 619 P09 976	Round Nut With 2 Holes
650/30	1 619 P20 114	Pin-Type Face-Wrench
650/50	1 619 P12 159	Clamping-Flange Ø22,3xØ42 MM
651	1 619 P02 838	Protective Cover Ø 100 MM BLACK
894	1 615 430 020	Grease Tube 225 ML
895	1 605 430 003	Grease Tube 225 ML

Illustration - Type - E

3 601 C75 481  
Stand }  
Issue } 13-12-12

Fig. /Abb. 1

Gerad - Verzahnung

- Vor Demontage des Ankers Kohlebürsten 5mm zurückziehen !  
Before the armature is removed the carbon brushes must be withdrawn by at least 5mm !

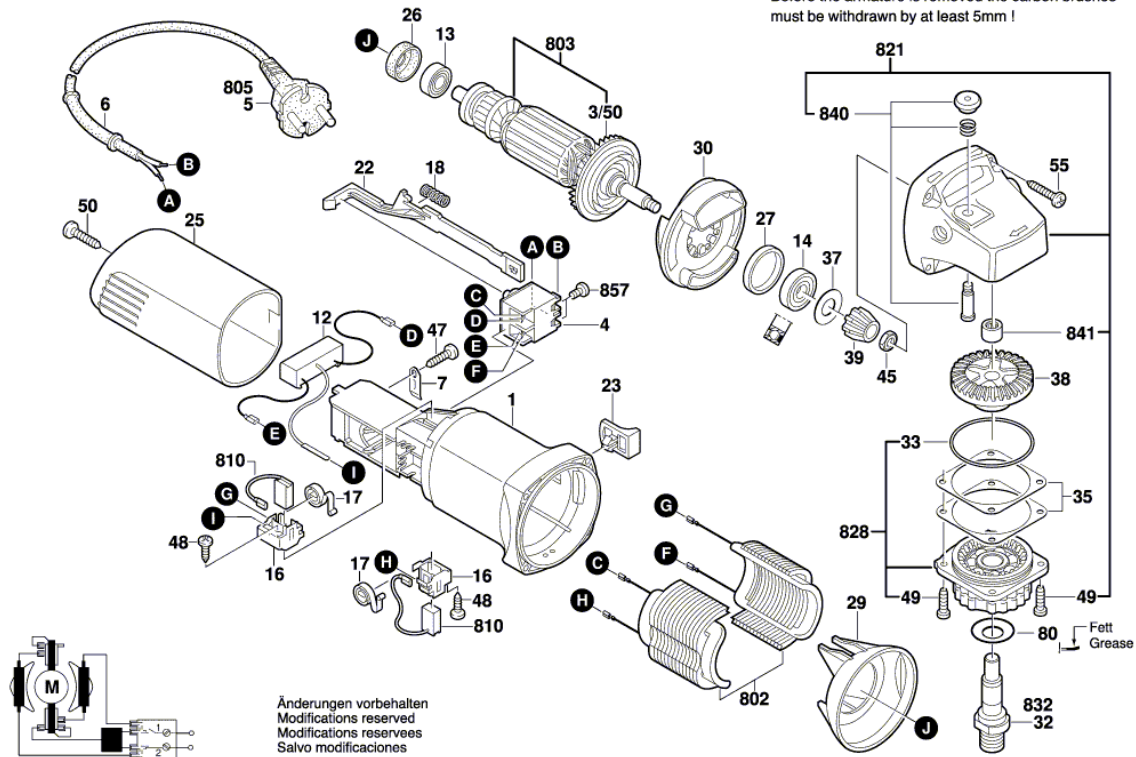
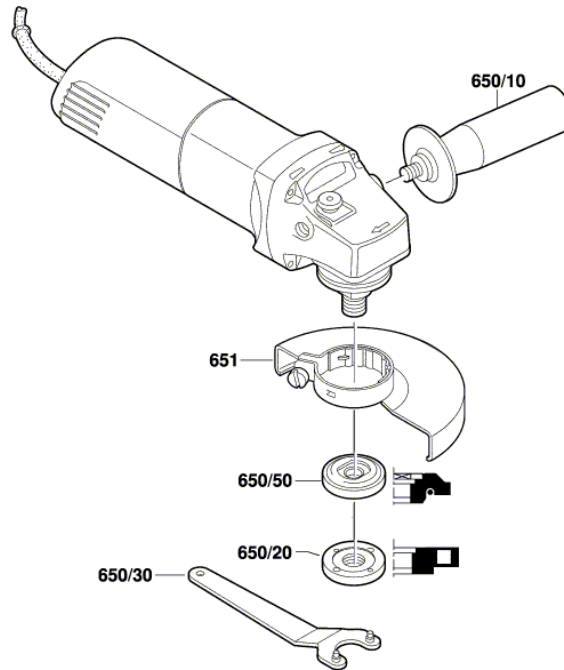


Illustration - Type - E

3 601 C75 481  
Stand | 15-03  
Issue | 15-11-18 **Fig. /Abb. 2**



Änderungen vorbehalten  
Modifications reserved  
Modificaciones reservadas  
Salvo modificaciones