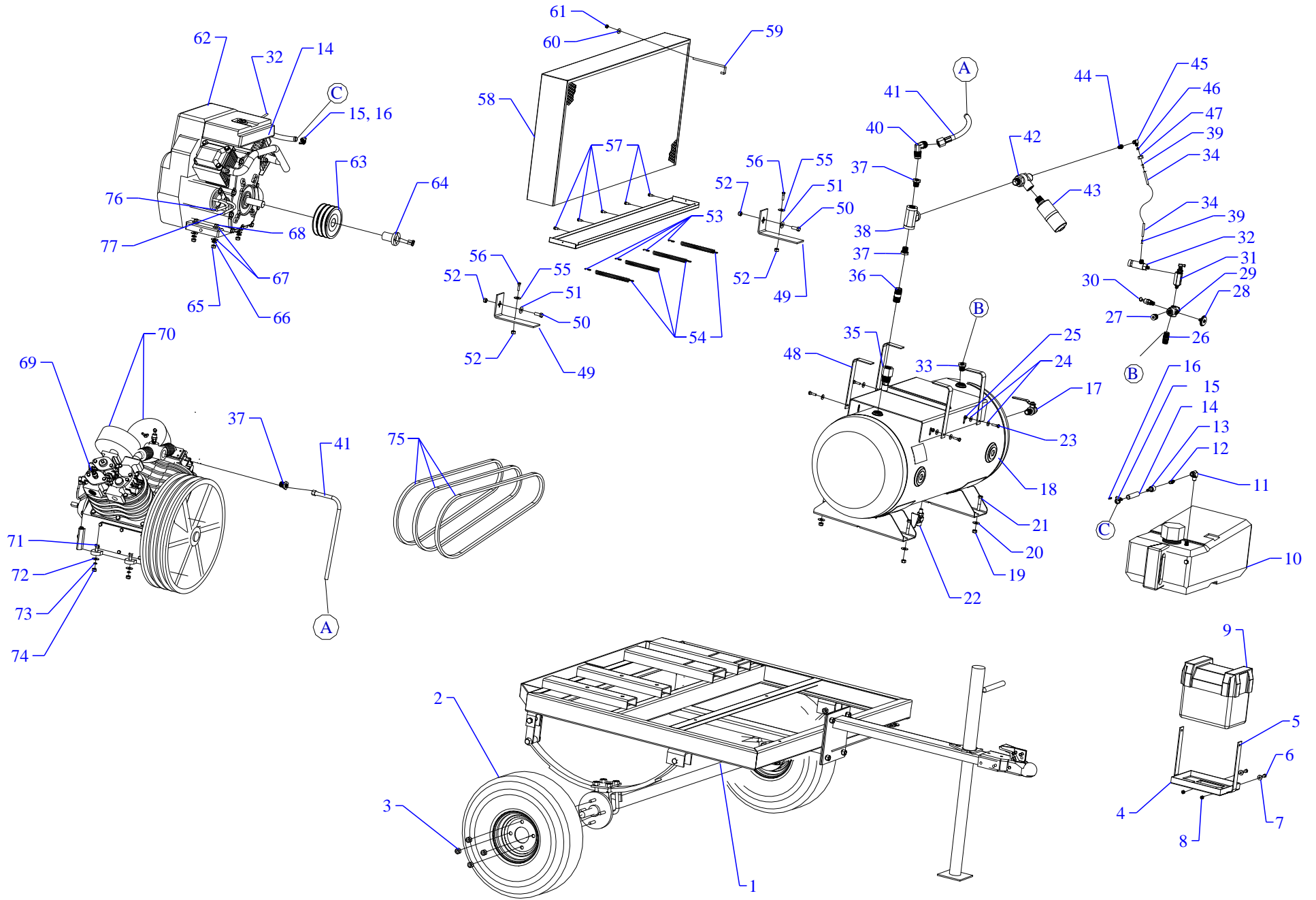


MODEL : U18HGB - PT



Parts List for Model U18HGB-PT

NOTE: The quantity number indicates the total number of pieces required for a complete unit repair.
When ordering parts give compressor model, serial number and part number. Order assemblies when possible.

<u>REF. NO.</u>	<u>PART NO.</u>	<u>DESCRIPTION</u>	<u>QTY.</u>
1	320-1033	TRAILER,2 WHEEL,U PUMP,BLUE,PT16	1
2	150-1068	WHEEL,RIM,W/TIRE,5.70X8,4PLY,4HOLE,ASSY	2
3	120-1124	NUT,HEX,STEEL,PLATED,1/2-13	8
4	JD7775-G	TRAY,BATTERY,STEEL,PAINTED,LARGE,CPW	1
5	153-2009	STRAPPING,NLYON,BLACK,1/2"WIDE	2
6	120-1007	SCREW,FLANGE,HEX,SERR,ST,PLTD,1/4-20X1	2
7	120-1071	WASHER,FLAT,STEEL,PLATED,USS,1/4"	2
8	120-1116	NUT,LOCK,FLANGE,HEX,SERR,ST,PLTD,1/4-20	2
9	JD7769	BOX,BATTERY,PLASTIC,BLACK,11X7-1/2X8-3/4	1
10	150-1161	TANK,FUEL,PLASTIC,GASOLINE,RED,6.6GALLON	1
11	JD 670	ELBOW,STREET,BRASS,1/4NPT	1
12	JD7778-A	PLUG,QUICK COUPLING,BRASS,1/4"NPTM,GAS	1
13	JD7778	SOCKET,QUICK COUPLING,BRASS,1/4"HOSE,GAS	1
14	JE 490	HOSE,AIR,FUEL,300PSI,212F,1/4",BLUE	3 FT
15	120-1173	CLAMP,HOSE,GEAR,WORM,SS,5/16" TO 7/8"	2
16	104-1075	CAP,COVER,PLASTIC,RED,0.40 X 1/4"X 3/8"	2
17	141-1078	VALVE,BALL,OUTLET,1/4 TURN,1/2"M X 1/2"F	1
18	411-1051-01	TANK,HRZNTL,30G,UM,W/GAS TNK DECK,PT/ST	1
19	120-1119	NUT,LOCK,FLANGE,HEX,SERR,ST,PLTD,5/16-18	4
20	120-1075	WASHER,FLAT,STEEL,PLATED,5/16"	8
21	120-1018	SCREW,FLANGE,HEX,SERR,ST,PLD,5/16-18X3/4	4
22	141-1098	VALVE,BALL,DRAIN,1/4 TURN,1/4"M	1
23	120-1005	SCREW,FLANGE,HEX,SERR,ST,PLTD,1/4-20X3/4	4

Parts List for Model U18HGB-PT

NOTE: The quantity number indicates the total number of pieces required for a complete unit repair.
When ordering parts give compressor model, serial number and part number. Order assemblies when possible.

<u>REF. NO.</u>	<u>PART NO.</u>	<u>DESCRIPTION</u>	<u>QTY.</u>
24	120-1070	WASHER,FLAT,STEEL,PLATED,SAE,1/4"	8
25	120-1116	NUT,LOCK,FLANGE,HEX,SERR,ST,PLTD,1/4-20	4
26	122-1145	NIPPLE,STEEL,SCH 80,PLTD,1/2" X 1-1/2" L	1
27	122-1047	PLUG,SOCKET,HEX,ST,PLTD,1/2" NPT	1
28	142-1003	GAUGE,PSI,200#,BK MT,JENNY,1.5,1/4",PG14	1
29	220-1121	BLOCK,MANIFOLD,ZINC,5 HOLE,TAPPED,MC-5	1
30	141-1000	VALVE,SAFETY,NON-CODE,1/4",SS,200 PSI	1
31	141-1048	VALVE,PILOT,W/HAND UNLOADER,175PSI,1/4"M	1
32	141-1083	CONTROL,IDLE,BULLWHIP,72"LONG	1
33	122-1072	BUSHING,REDUCER,HEX,ST,PLTD,1" X 1/2"NPT	1
34	610-1184	TUBE,UNLOADER,NYLON,W/SLEEVE&NUT,1/4X36	1
35	141-1037	VALVE,CHECK,INSERT,1"M X 3/4", 134	1
36	122-1095	NIPPLE,CLOSE,STEEL,SCH 40,PLATED,3/4"	1
37	122-1073	BUSHING,REDUCER,HEX,ST,PLTD,1" X 3/4"NPT	3
38	122-1062	TEE,FEMALE,MI,PLATED,1"NPTF	1
39	121-1048	INSERT,TUBING,BRASS,1/4"OD NYLON	2
40	121-1018	ELBOW,MALE,BRASS,3/4-45SAEX3/4"NPTM	2
41	360-1179	AFTERCOOLER,HOSE,SS,TEFLON,3/4"ODX21-1/2	1
42	141-1045	VALVE,UNLOADER,DISCHARGE,AIR,1"MX3/4"F	1
43	160-1077	MUFFLER 3/4 NPT 1 DISCH UNLDR	1
44	122-1066	BUSHING,REDUCER,HEX,ST,PLTD,3/8NPTX1/4N	1
45	121-1032	ELBOW,MALE,COMPRESSION,BR,1/4TBX1/8"NPTM	1
46	121-1080	SLEEVE,COMPRESSION,BRASS,1/4"	2

Parts List for Model U18HGB-PT

NOTE: The quantity number indicates the total number of pieces required for a complete unit repair.
When ordering parts give compressor model, serial number and part number. Order assemblies when possible.

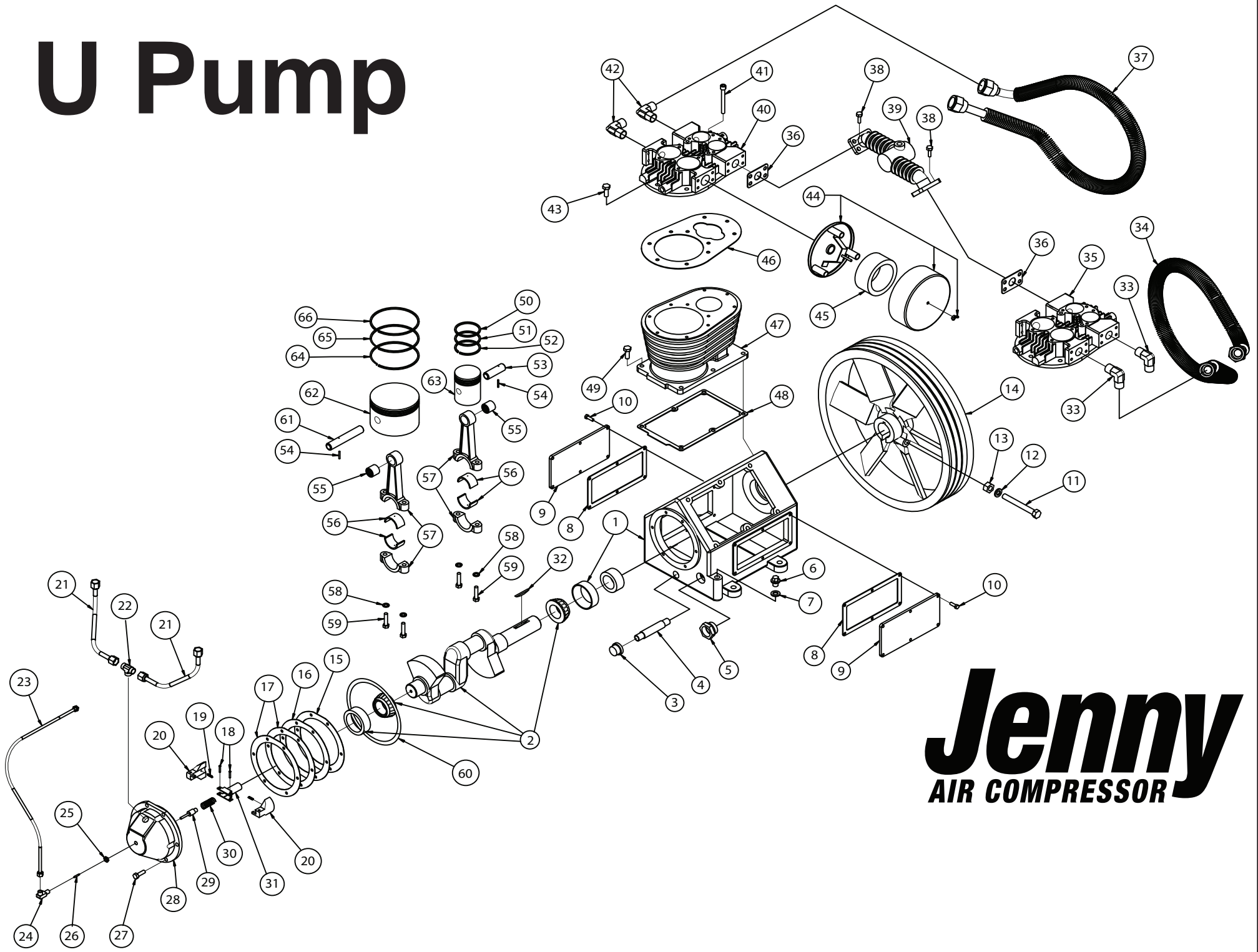
<u>REF. NO.</u>	<u>PART NO.</u>	<u>DESCRIPTION</u>	<u>QTY.</u>
47	121-1082	NUT,COMPRESSION,TUBING,BRASS,1/4"	2
48	JD7288	STRAP,RETAINING,VELCRO,CONTAINER,SOLUTN	2
49	230-1133	BRKT BELTGUARD U ELEC (WS/SM)	2
50	120-1267	SCREW,PAN HD,PHIL,STEEL,PLTD,1/4-20 X 1"	2
51	120-1075	WASHER,FLAT,STEEL,PLATED,5/16"	2
52	120-1113	NUT,HEX,STEEL,PLATED,1/4-20	4
53	120-1159	HOOK,"S",STEEL,PLATED,S-1,BELT GUARD	8
54	120-1158	SPRING,ST,PL,#3 X 16" L (BELT GUARD)	4
55	120-1071	WASHER,FLAT,STEEL,PLATED,USS,1/4"	2
56	120-1005	SCREW,FLANGE,HEX,SERR,ST,PLTD,1/4-20X3/4	2
57	120-1177	SCREW,SELF DRILL,HEX,ST,PL,12 X 3/4	5
58	320-1027-01	BELTGUARD,GAS,U,HONDA,SM&PT,ASSY,BLUE	1
59	120-1219	BOLT,"J",ST,PL,1/4-20 X 5-9/16 LENGTH	1
60	120-1071	WASHER,FLAT,STEEL,PLATED,USS,1/4"	1
61	120-1115	NUT,HEX,ELASTIC,STEEL,PLATED,1/4-20	1
62	131-1106	ENGINE,GAS,HONDA,18HP,E/S,GX610K1QZA	1
63	154-1074	PULLEY,CI,TG,SH,3.8PDB,3B38SH	1
64	154-1092	BUSHING,PULLEY,TAPERED,H,1	1
65	120-1120	NUT,HEX,STEEL,PLATED,3/8 16 PL	4
66	120-1077	WASHER,LOCK,SPLIT,STEEL,PLATED,3/8"	4
67	120-1078	WASHER,FLAT,STEEL,PLATED,USS,3/8"	8
68	120-1037	SCREW,CAP,HEXHD,GR5,ST,PLTD,3/8-16X2	4
69	421-1604	PUMP,CMPRSR,PISTON,REPLCMT,BLUE,U	1

Parts List for Model U18HGB-PT

NOTE: The quantity number indicates the total number of pieces required for a complete unit repair.
When ordering parts give compressor model, serial number and part number. Order assemblies when possible.

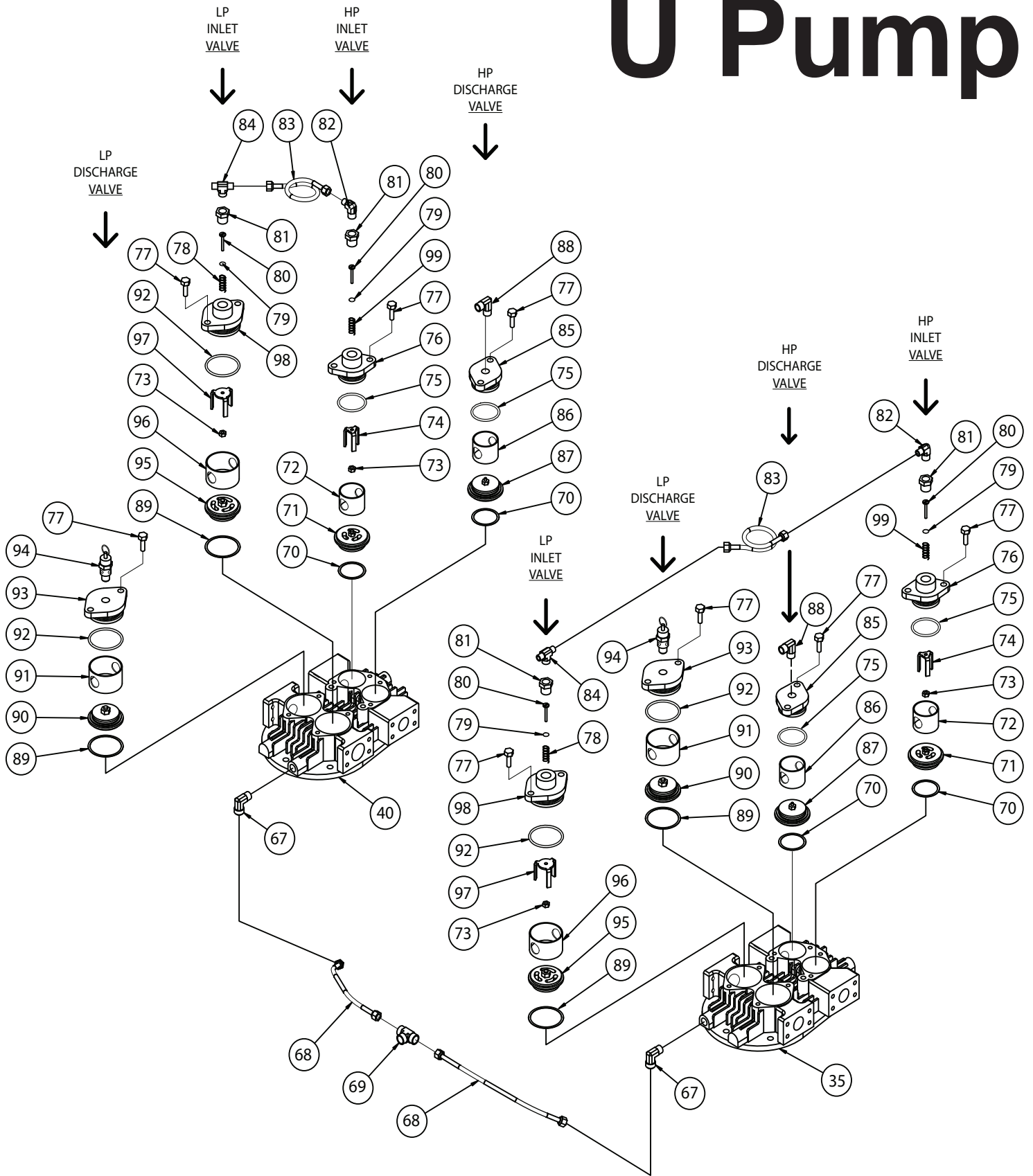
<u>REF. NO.</u>	<u>PART NO.</u>	<u>DESCRIPTION</u>	<u>QTY.</u>
70	160-1057	FILTER,INTAKE,AIR,1"NPTM,FA1	2
71	120-1052	SCREW,CAP,HEXHD,GR5,ST,PLTD,1/2-13X2-1/2	4
72	120-1080	WASHER,FLAT,STEEL,PLATED,1/2"	8
73	120-1082	WASHER,LOCK,SPLIT,STEEL,PLATED,1/2"	4
74	120-1124	NUT,HEX,STEEL,PLATED,1/2-13	4
75	154-5L840	BELT,VEE,B81.3,5L-840	3
NOT SHOWN	160-1060	ELEMENT,FILTER,INTAKE,AIR,U14,FE1	2
NOT SHOWN	105-1210	OIL,PUMP,SYNTHETIC,BLUE,1 GALLON,ESG	1

U Pump



Jenny
AIR COMPRESSOR

U Pump



Jenny
AIR COMPRESSOR

Parts List for Model U

NOTE: The quantity number indicates the total number of pieces required for a complete pump repair.
When ordering parts give compressor model, serial number and part number. Order assemblies when possible.

<u>REF. NO.</u>	<u>PART NO.</u>	<u>DESCRIPTION</u>	<u>QTY.</u>
1	631-48289	CRANKCASE,PUMP,U	1
2	631-48285	CRANKSHAFT & CONE ASSY REF: U	1
2A	631-98846	BEARING CUP REF: QMRU, 98846	2
2B	631-13414	CONE,BEARING,R-U PUMP	2
3	122-1085	CAP,HEX,STEEL,PLATED,1/2"NPT	1
4	122-1089	NIPPLE,STEEL,SCH 40,1/2" X 2-1/2" L	1
5	160-1053	GAUGE,SIGHT,LEVEL,OIL,1"NPT	1
6	631-76071	OIL FILLER PLUG REF: U, 76071	1
7	631-76072	OIL FILLER PLUG GSKT REF: U, 76072	1
8	631-48332	SIDE PLATE GSKT REF: U, 48332	2
9	631-48331	PLATE,SIDE,CRANKCASE,PUMP,U	2
10	120-1002	SCREW,CAP,HEXHD,GR5,ST,BLK,1/4-20X5/8	12
11	111300	SCREW,CAP,HEX HD,GR5,ST,PL,1/2-13X4-1/2"	1
12	120-1082	WASHER,LOCK,SPLIT,STEEL,PLATED,1/2"	1
13	120-1124	NUT,HEX,STEEL,PLATED,1/2-13	1
14	631-31010	ASSY,FLYWHEEL,3,GROVE,18" OD,R-U PUMP	1
15	631-38013	GASKET,COVER,END,U-PUMP	1
16	631-17279	GASKET,COVER,END, .006,THK,Q-U PUMP	1
17	631-17278	GASKET,COVER,END, .005,THK,Q-U PUMP	2
18	631-47957	RIVET,UNLOADER,Q-M-R-U-PUMP	2
19	631-38195	SPRING,BUMPER,WEIGHT,Q-M-R-U-T-PUMP	2
20	631-47952	WEIGHT,COUNTER,UNLOADER,Q-M-R-U-PUMP	2
21	631-48350	BREATHER TUBE REF: U,48350	2

Parts List for Model U

NOTE: The quantity number indicates the total number of pieces required for a complete pump repair.
When ordering parts give compressor model, serial number and part number. Order assemblies when possible.

<u>REF. NO.</u>	<u>PART NO.</u>	<u>DESCRIPTION</u>	<u>QTY.</u>
22	631-38074	CONNECTOR,TEE,BREATHER,U-PUMP	1
23	631-38923	TUBE,UNLOADING,U-PUMP	1
24	631-76281	CU VLV ASSY REF: QMRU, 76281	1
25	631-48070	LOCKNUT REF QMRU, 48070	1
26	631-48069	AIR VALVE REF:QMR, 48069	1
27	120-1022	SCREW,CAP,HEXHD,GR5,ST,PLTD,5/16-18X1	6
28	631-48290	CAP,BEARING,W/CUP,ASSY,PUMP,U	1
29	631-47958	PLUNGER,UNLOADER,Q-M-R-U-PUMP	1
30	631-47956	SPRING,UNLOADER,Q-M-R-U-PUMP	1
31	631-49913	WGT RTNR & SHAFT ASSYREF:QMRU, 49913	1
32	631-9396	FLYWHEEL KEY REF: RU, 9396	1
33	631-13620	CONNECTOR,ELBOW,INTERCOOL,90 DEG,M-R-U	3
34	631-48707	INTERCOOLER R H REF: U, 48707	1
35	631-77687	CYLINDER HEAD RH	1
36	631-48337	GSKT DIS MANIFOLD REF: U, 48337	2
37	631-48706	INTERCOOLER L H REF: U, 48706	1
38	631-992	SCREW,CAP,SOC HD,GR5,ST,PL,5/16-18X7/8	8
39	631-48310	MANIFOLD DISCHARGE REF: U, 48310	1
40	631-77688	CYLINDER HEAD LH	1
41	9421632	SCREW,CAP,SOC HD,GR5,ST,PL,5/16-18X3	4
42	631-48349	ELBOW45DG INTRCLR CONTRREF:U, 48349	1
43	120-1002	SCREW,CAP,HEXHD,GR5,ST,BLK,1/4-20X5/8	16
44	160-1057	FILTER,INTAKE,AIR,1"NPTM,FA1	2

Parts List for Model U

NOTE: The quantity number indicates the total number of pieces required for a complete pump repair.
When ordering parts give compressor model, serial number and part number. Order assemblies when possible.

<u>REF. NO.</u>	<u>PART NO.</u>	<u>DESCRIPTION</u>	<u>QTY.</u>
45	160-1060	ELEMENT,FILTER,INTAKE,AIR,U14,FE1	2
46	631-47939	GASKET,HEAD,CYLINDER,M-U-PUMP	2
47	631-47925	CYLINDER,M-U-PUMP	2
48	631-47923	GASKET,BASE,M-U-PUMP	2
49	120-1032	SCREW,CAP,HEXHD,GR5,ST,PLTD,3/8-16X1	12
50	631-47946	RING,COMPRESSION,TOP,HP,M-U-PUMP	2
51	631-47968	RING,COMPRESSION,BOTTOM,HP,M-U-PUMP	2
52	631-47947	RING,OIL,PISTON,HP,3 PIECE,PUMP,U	2
53	631-47949	PIN,WRIST,HP,M-U-PUMP	2
54	631-37007	PIN,ROLL,Q-M-R-U PUMP	4
55	631-14319	BEARING,PISTON,WRIST PIN,LP,Q-M-U PUMP	4
56	631-38275	INSERT,BEARING,R-U-PUMP	8
57	631-48284	CONNECTING ROD ASSY REF: U, 48284	4
58	120-1077	WASHER,LOCK,SPLIT,STEEL,PLATED,3/8"	8
59	631-14792	BOLT,ROD,CONNECTING,PUMP,U	8
60	631-48675	OIL FEEDER RING REF: U, 48675	1
61	631-47945	PIN,WRIST,LP,M-U-PUMP	2
62	631-47944	PISTON,LP,M-U-PUMP	2
63	631-47948	PISTON,HP,M-U-PUMP	2
64	631-47943	RING,OIL,PISTON,3 PIECE,PUMP,U	2
65	631-47942	RING,COMPRESSION,PISTON,W/SCRAPER,PUMP,U	2
66	631-47941	RING,COMPRESSION,PISTON,PUMP,U	2
67	631-690	ELBOW,BREATHER CONNCTR,REF: U, 690	2

Parts List for Model U

NOTE: The quantity number indicates the total number of pieces required for a complete pump repair.
When ordering parts give compressor model, serial number and part number. Order assemblies when possible.

<u>REF. NO.</u>	<u>PART NO.</u>	<u>DESCRIPTION</u>	<u>QTY.</u>
68	631-48350	BREATHER TUBE REF: U,48350	2
69	631-38074	CONNECTOR,TEE,BREATHER,U-PUMP	1
70	631-47938	GASKET,VALVE,HP,M-R-U-PUMP	4
71	631-50681	VALVE ASSYH P INLET REF: MRU, 50681	2
72	631-47930	CAGE,INLET,HP,M-R-U-PUMP	2
73	631-48144	VALVE LOCKNUT REF: MRU, 48144	4
74	631-47965	FINGERS,HP,INLET,UNLADDER,M-R-U-PUMP	2
75	631-47931	RING,O,HP,M-R-U-PUMP	4
76	631-48139	HLD DWN CVRHP(1/4)REF:MRU, 48139	2
77	631-47934	SCREW,CAP,COVER,5/16"-18 X 3/4",MRU-PUMP	16
78	631-47992	VALVE SPRING LP REF: MRU, 47992	4
79	631-47962	RING,O,PLUNGER,PUMP,U	4
80	631-47961	PLUNGER,VALVE,INLET,HP,PUMP,U	4
81	631-47933	RING,O,LP,M-R-U-PUMP	4
82	631-15362	ELBOW,MALE,BRASS,VALVE,INLET,PUMP,U	2
83	631-47966	TUBE,UNLOADER,VALVE,HEAD-HEAD,PUMP,U	2
84	631-42384	TEE,MALE,BRASS,VALVE,INLET,PUMP,U	2
85	631-48139	HLD DWN CVRHP(1/4)REF:MRU, 48139	1
86	631-47971	CAGE,DISCHARGE,HP,M-R-U-PUMP	2
87	631-47936	ASSY,VALVE,H P,DISCHARGE,M-R-U-PUMP	2
88	631-12949	CONNECTOR,BREATHER,ELBOW,BR,Q-M-R PUMP	1
89	631-47937	GASKET,VALVE,LP,M-R-U-PUMP	4
90	631-48141	VALVE ASSY LP DISCHGREF:MRU, 48141	2

Parts List for Model U

NOTE: The quantity number indicates the total number of pieces required for a complete pump repair.
When ordering parts give compressor model, serial number and part number. Order assemblies when possible.

<u>REF. NO.</u>	<u>PART NO.</u>	<u>DESCRIPTION</u>	<u>QTY.</u>
91	631-47928	CAGE,DISCHARGE,LP,M-R-U-PUMP	2
92	631-47933	RING,O,LP,M-R-U-PUMP	4
93	631-48081	HOLD DWN CVR LP DIS REF: U, 48081	2
94	631-8603	INTERCOOLER SAFETY VALVE R:UT	2
95	631-47935	ASSY,VALVE,L P,INLET,M-R-U-PUMP	2
96	631-47922	CAGE,INLET,LP,M-R-U-PUMP	2
97	631-47963	FINGERS,LP,INLET,UNLOADER,M-R-W-PUMP	2
98	631-47960	HOLD DOWN COVER LIP, INLET	2
99	631-47993	VLV SPRING HP REF: MRU, 47993	4
100	361-48307	INTAKE GASKET OLD STYLE NOT SHOWN	2
101	160-1062	ELEMENT,FILTER,INTAKE,AIR,U18,FE15 NOT SHOWN	1
102	160-1058	FILTER,INTAKE,AIR,1-1/2"NPTM,FA15 NOT SHOWN	1
103	631-79565	LWR END OVERHAUL KIT MODEL U, 79565	1
104	631-79452	SET GSKT REF: U, 79452	1
105	631-79566	VALVE OVERHAUL KIT MODEL U	1
106	631-48177	SET PISTON,RINGS REF: M U, 48177	2