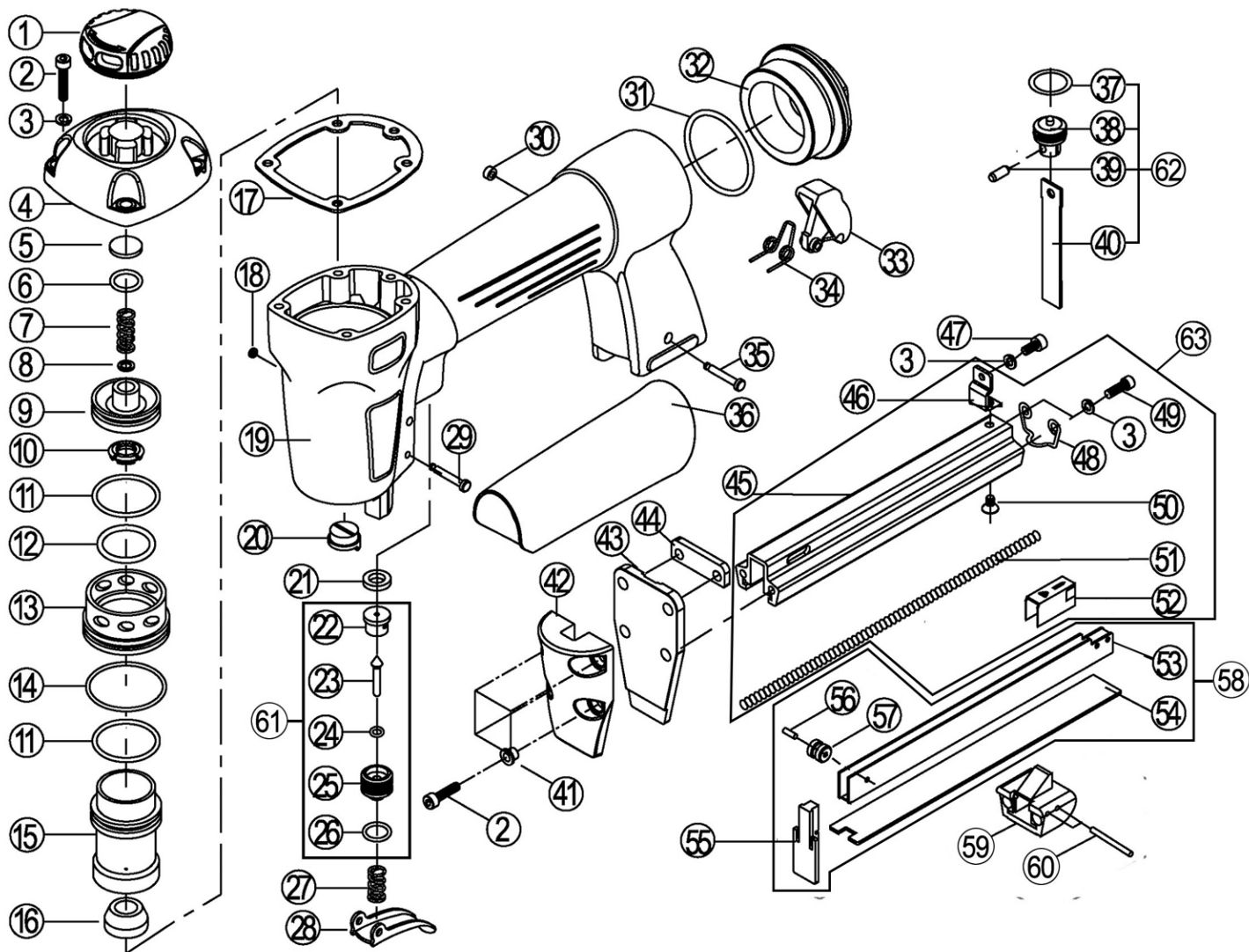


# Air Locker

Model # U630A



NO.	DESCRIPTION	QTY.	NO.	DESCRIPTION	QTY.	NO.	DESCRIPTION	QTY.
1	Exhaust Deflector	1	61	Trigger Valve Assembly	1	42	Driver Guide Cover	1
2	Screw 4*21	8	22	Upper Remote Housing	1	43	Driver Guide	1
3	Washer # 5	4	23	Trigger Valve Stem	1	44	Spacer	1
4	Exhaust Cover	1	24	O-Ring	1	47	Screw 4*12	1
5	Seal, Air	1	25	Remote Housing	1	63	Magazine Assembly	1
6	O-Ring	1	26	O-Ring	1	3	Washer # 5	3
7	Compression Spring	1	27	Conical Spring	1	45	Upper Magazine	1
8	Washer	1	28	Trigger	1	46	Support	1
9	Head Valve Piston	1	29	Step Pin	1	48	Tail Stop Spring	1
10	Piston Stopper	2	30	Ring	1	49	Screw 4*12	2
11	O-Ring	1	31	O-Ring	1	50	Screw 4*6	1
12	O-Ring	1	32	Tail Cover	1	51	Comperssion Spring	1
13	Collar	1	33	Click Lever Blade	1	52	Pusher	1
14	O-Ring	1	34	Spring	1	58	Nail Tank Set	1
15	Cylinder	1	35	Step Pin	1	53	Nail Magazine Rack	1
16	Bumper	1	36	Handle Grip	1	54	Nail Magazine Rack	1
17	Gasket	1	62	Driver Assembly	1		Plate	
18	Ring	1	37	O-Ring	1	55	Front Cover	1
19	Body	1	38	Piston	1	56	Spring Pin	1
20	Nozzle	1	39	Pin	1	57	Roller	1
21	Seal, Air	1	40	Driver Blade	1	59	Tail Cover	1
			41	Bushing	4	60	Spring Pin	1