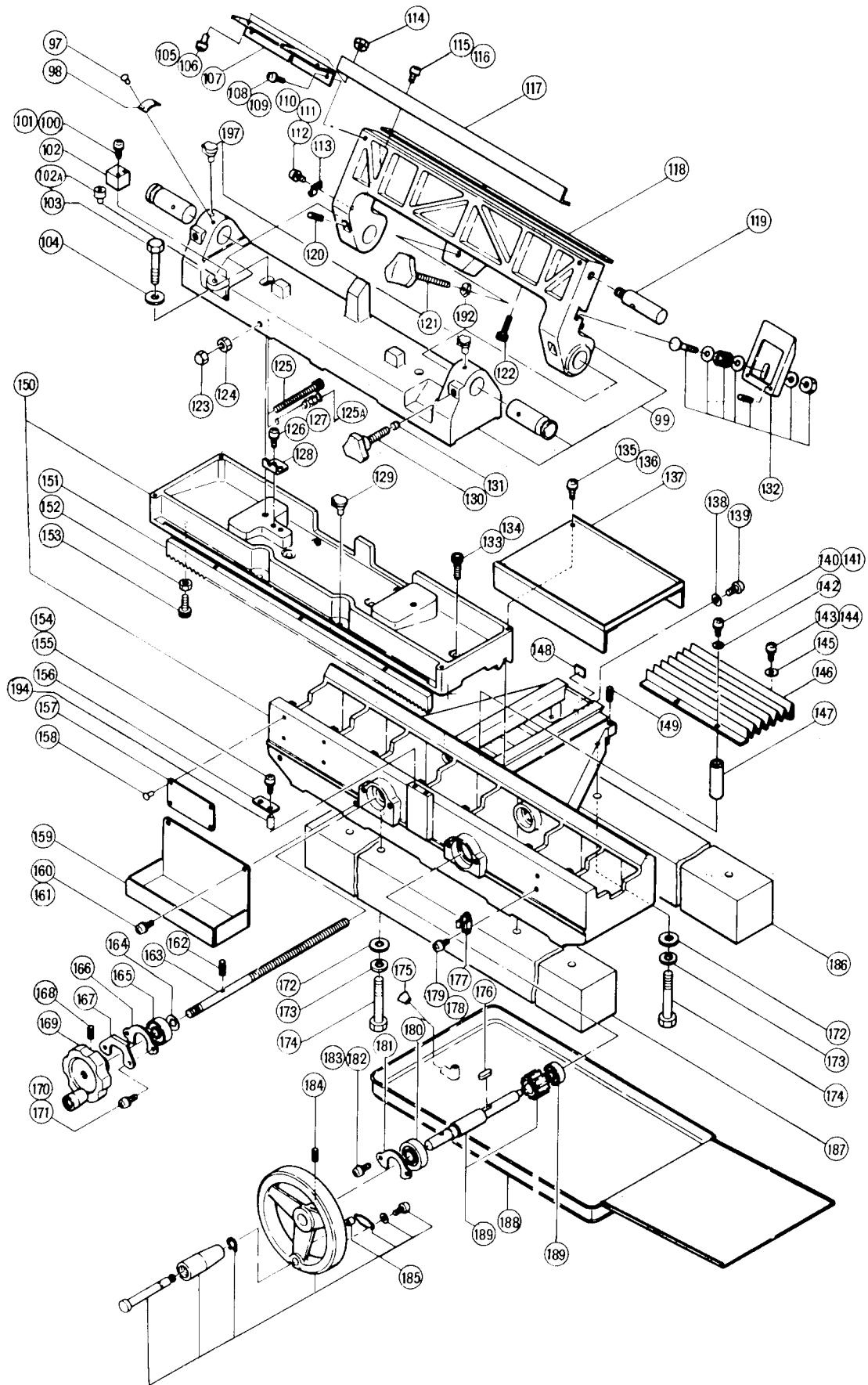


HITACHI FINISHING GRINDER Model UA-150





ITEM NO.	PART NO.	NO. USED	DESCRIPTION	SUPPLY Q'TY	ITEM NO.	PART NO.	NO. USED	DESCRIPTION	SUPPLY Q'TY
1	965479	1	Left Hand Special Nut M10		57	949454	2	Lock Washer M5	10
2	968263	1	Washer (D)		58	949431	2	Bolt Washer M5	10
3	975591	1	Cup Grinding Wheel		59	975608	1	Tank Holder	
4	973705	1	Washer (C)		61	975642	1	Mark Plate	
5	973700	1	Cover (A)		62	975613	1	Wheel Guard (A)	
6	975609	1	Tank Cover		63	934252	1	Wheel Washer	
7	949214	1	Machine Screw M4×6	10	64	975590	1	Grinding Wheel 205MM	
8	948614	1	Nylon Clip		65	934648	2	Weight	
9	952163	1	Pipe		66	949368	2	Set Screw M4×10	10
10	949254	1	Machine Screw M6×10	10	67	949584	1	Nut M16	10
11	949455	3	Lock Washer M6	10	68	975614	1	Guard Cover	
12	965026	2	Valve since 7,1982		69	952355	1	Switch Insulator	
13	975636	1	Tank includes item 12,193		70	952353	1	Switch Cover	
16	934203	1	Pin D3×5.5		71	952352	1	Switch Packing	
17	932819	1	Wood Ruff Key		72	952398	1	Switch Name Plate	
18	965093	1	Oil Feeder		73	949216	2	Machine Screw M4×10	10
19	965094	1	Dresser		74	949453	2	Lock Washer M4	10
20	975618	1	Box Wrench 17MM		75 A	949785	1	Spring Pin D6×16 till 1,1985	10
21	952396	1	Plate		75 B	951534	1	Pin since 3,1985	
22	973754	1	Gauge		76	949254	2	Machine Screw M6×10	10
23	973699	2	Wing Bolt M4×8		77	949455	2	Lock Washer M6	10
24	973361	2	Washer		78	934525	1	Spark Breaker	
25	973698	1	Wheel Cover Unit Assembly (includes item 5,23,24)		79	949457	3	Lock Washer M8	10
26	949258	4	Machine Screw M6×20	10	80	934368	3	High Tension Bolt M8×16	
27	949455	4	Lock washer M6	10	81	934253	1	Balance Washer	
28	975611	1	End Bracket		82	934254	1	Weight Holder	
29	936315	1	Wave Washer		83	975634	1	Pipe (A)	
30	6204VV	2	Ball Bearing 6204VVCMP52S		84	948614	1	Nylon Clip	
31	975612	1	Rotor Ass'y (includes Item 30)		85	949216	1	Machine Screw M4×10	10
32	975639	1	Housing Assembly (includes Item 35A,36A,39)		86	949453	1	Lock Washer M4	10
33	973699	2	Wing Bolt M4×8		87	949429	1	Bolt Washer M4	10
35	949219	2	Machine Screw M4×16 till 5 / 87	10	88	949254	4	Machine Screw M6×10	10
35 A	949239	2	Machine Screw M5×16 since 6 / 87	10	89	949455	4	Lock Washer M6	10
36	949453	2	Lock Washer M4 till 5 / 87	10	90	967896	2	Grip	
36 A	949454	2	Spring Washer M5 since 6 / 87	10	91	973697	1	Clamp Screw (A)	
37	996534	1	Cord Clip (old 934028)		92	947508	1	Spring Pin D8×80	
39	971884	1	Set Screw M5×16 (old 949379)		93	948160	3	Hexagon Bolt	
40	949554	1	Nut M4	10	94	949556	3	Nut M6	10
41	949216	3	Machine Screw M4×10	10	95	975604	1	Motor Holder Assembly (includes Item 93,94,96)	
42	949453	3	Lock Washer M4	10	96	975605	1	Liner	
43	975625	1	Condenser Holder		97	949510	2	Rivet D2.5×4.8	10
44	975622	1	Condenser		98	973689	1	Angle Scale	
45	959141	1	Connector	10	99	973683	1	Set Block Assembly (includes Item 97,98,102A,105-114,117,120,121,123,124,125A,130,192,197)	
47	948193	1	Nylon Clip		100	949224	2	Machine Screw M4×30 till 8,1981	10
48	949219	1	Machine Screw M4×16	10	101	949453	2	Lock Washer M4 till 8,1981	10
49	949453	1	Lock Washer M4	10	102	973711	1	Cushion (A) till 8,1981	
50	934193	1	Snap Switch		102 A	934213	1	Base Rubber since 9,1981	
51	934195	1	Rubber Cap		103	949634	2	Bolt M10×60	10
52	975640	1	HITACHI Label		104	967240	2	Washer (I)	
53	949510	2	Rivet D2.5×4.8	10	105	949236	3	Machine Screw M5×10	10
55	949510	4	Rivet D2.5×4.8	10	106	949454	3	Lock Washer M5	10
56	949236	2	Machine Screw M5×10	10	107	975601	1	Cover (D)	

ITEM NO.	PART NO.	NO. USED	DESCRIPTION	SUPPLY Q'TY	ITEM NO.	PART NO.	NO. USED	DESCRIPTION	SUPPLY Q'TY
108	949254	2	Machine Screw M6×10	10	152	949568	2	Lock Nut M8	10
109	949455	2	Lock Washer M6	10	153	949655	2	Hexagon Socket Head Bolt M8×16	10
110	949216	1	Machine Screw M4×10	10	154	949236	2	Machine Screw M5×10 till 12,1982	10
111	949453	1	Lock Washer M4	10	154 A	949241	2	Machine Screw M5×20 since 1,1983	10
112	949429	1	Bolt Washer M4	10	155	949454	2	Lock Washer M5	10
113	973690	1	Indicator		156	973680	1	Stopper	
114	949555	3	Nut M5	10	158	949510	2	Rivet D2.5×4.8 since 3,1983	10
115	949236	3	Machine Screw M5×10	10	159	975617	1	Tool Box	
116	949454	3	Lock Washer M5	10	160	949254	2	Machine Screw M6×10	10
117	975629	1	Acryl Cover		161	949455	2	Lock Washer M6	10
118	975600	1	Set Block Piece		162	949499	1	Spring Pin D4×20	10
119	973719	1	Handle (D)		163	952372	1	Feed Screw	
120	949883	2	Spring Pin D8×45		164	949434	1	Bolt Washer M10	10
121	965072	1	Knob Bolt		165	6300VV	1	Ball Bearing 6300VVCMAV2S	
122	965078	2	Adjust Screw (C)		166	975594	1	Coupler	
123	975597	1	Cap Nut		167	975641	1	Indicator (B)	
124	949558	1	Nut M8	10	168	949548	1	Spring Pin D4×25	10
125	973686	1	Adjust Screw till 8,1981		169	952373	1	Knob	
125 A	973755	1	Adjust Screw since 9,1981		170	949254	2	Machine Screw M6×10	10
126	949254	2	Machine Screw M6×10	10	171	949455	2	Lock Washer M6	10
127	949455	2	Lock Washer M6	10	172	949434	4	Bolt Washer M10	10
128	973688	1	Ring Holder		173	949458	4	Lock Washer M10	10
129	973681	3	Cup		174	975632	4	Bolt M10×90	
130	973756	2	Knob (A)		175	975620	1	Cap	
131	975599	2	Bushing till 4,1981		176	930511	1	Key 4×4×10	
132	975602	4	Holder Plate (A)		177	945097	1	Clip	
133	949263	2	Machine Screw M6×35	10	178	949216	2	Machine Screw M4×10	10
134	949455	2	Lock Washer M6	10	179	949453	2	Lock Washer M4	10
135	949236	4	Machine Screw M5×10	10	180	6203VV	1	Ball Bearing 6203VVCMP2S	
136	949454	4	Lock Washer M5	10	181	975594	1	Coupler	
137	973682	2	Cover (C)		182	949254	2	Machine Screw M6×10	10
138	949448	1	Bolt Washer (made of Brass) M6	10	183	949455	2	Lock Washer M6	10
139	949790	1	Machine Screw (made of Brass) M6×10	10	184	949604	1	Spring Pin D5×28	10
140	949264	2	Machine Screw 6×40	10	185	975635	1	Handle	
141	949455	2	Lock Washer M6	10	188	975619	1	Water Receiving Plate	
142	949432	2	Bolt Washer M6	10	189	975595	1	Handle Shaft Assembly (includes Item 176,180,190)	
143	949254	2	Machine Screw M6×10	10	190	6200VV	1	Ball Bearing 6200VVCMP2S	
144	949455	2	Lock Washer M6	10	192	949560	1	Nut M10	10
145	949432	2	Bolt Washer M6	10	193	952395	2	Nut PS 1 / 8	
146	975631	1	Bellows (A)		194	975637	2	Collar (B) since 1,1983	
147	966805	2	Collar (P)		195	949299	1	Machine Screw M5×10	10
148	934081	1	Earth Plate		197	973681	2	Cup	
149	949878	1	Spring Pin D8×20	10	198	975633	1	Oil Stone	
150	975644	1	Bed Assembly (includes Item 126-128,133,134,151-153,154A,155,156,157,158A,194)		199	975144	1	Band since 7,1984	
151	975593	1	Rack						