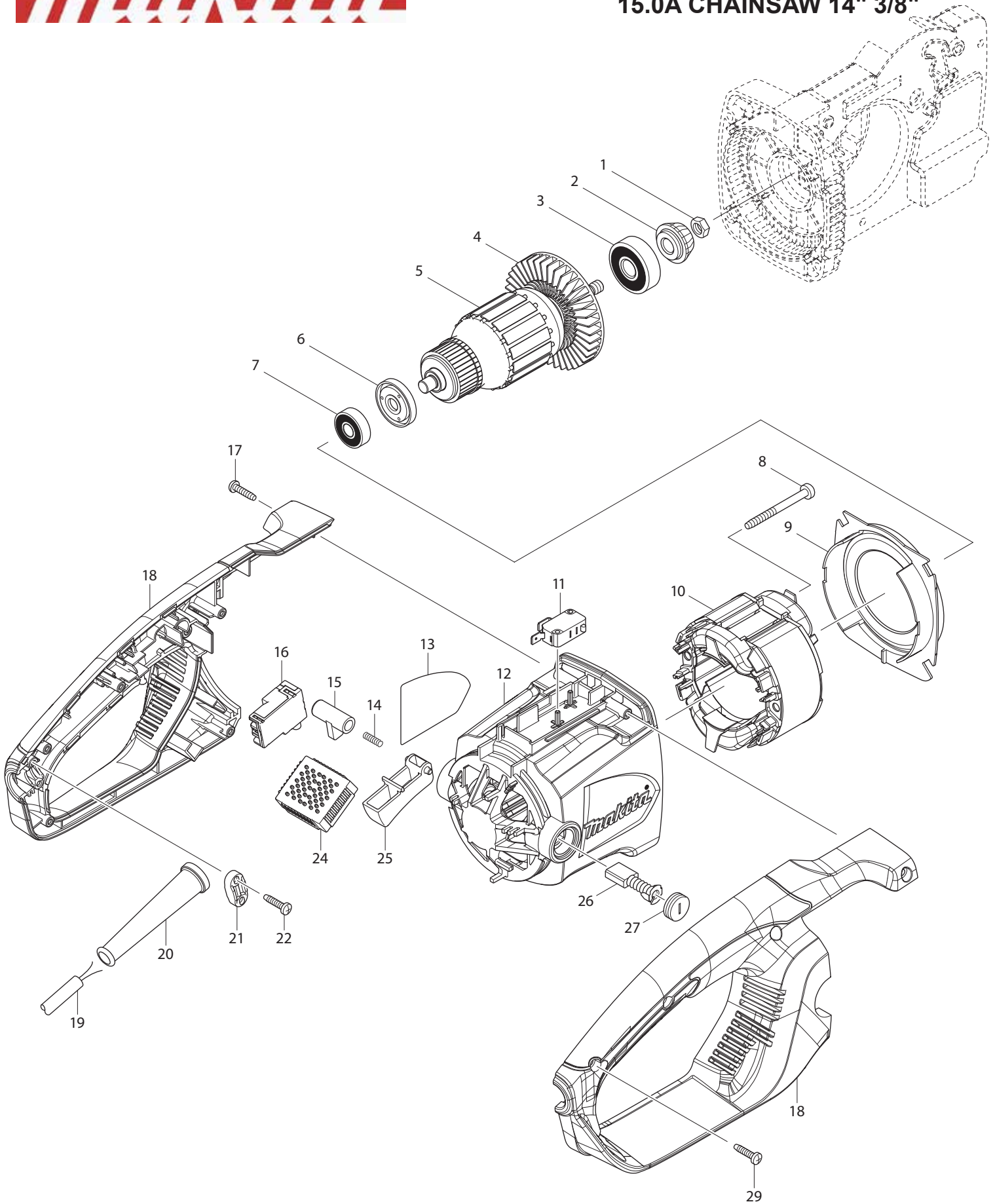
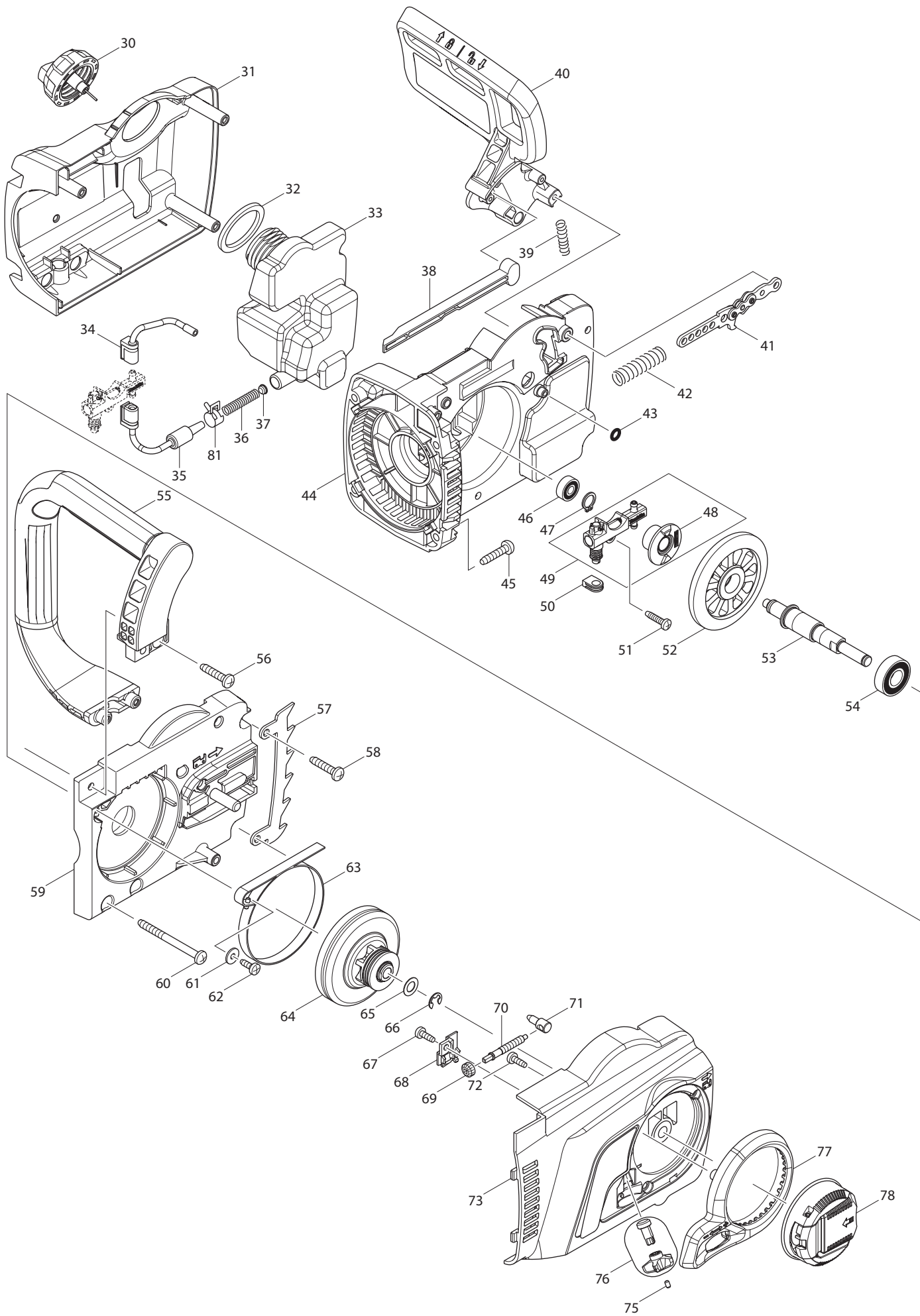




04 - 2014
UC3551A
15.0A CHAINSAW 14" 3/8"





| Item No. | Type | Sub | Part No. | Description | Qty | Unit |
|----------|------|------|----------|--------------------------------------|-----|------|
| 1 | | | 931403-6 | HEX. NUT M8 | 1 | PC. |
| 2 | | | 227626-5 | SPIRAL BEVEL GEAR 12 | 1 | PC. |
| 3 | | | 211111-8 | BALL BEARING 6301LLB | 1 | PC. |
| 4 | | | 240003-4 | FAN 80 | 1 | PC. |
| 5 | | | 517901-0 | ARMATURE ASS'Y 115V | 1 | PC. |
| | | INC. | | Item No. 3,4,6,7 | | |
| 6 | | | 681666-1 | INSULATION WASHER | 1 | PC. |
| 7 | | | 210084-2 | BALL BEARING 629ZZ | 1 | PC. |
| 8 | | | 266095-5 | TAPPING SCREW 5X55 | 2 | PC. |
| 9 | | | 419410-4 | BAFFLE PLATE | 1 | PC. |
| 10 | | | 636386-2 | FIELD 115V | 1 | PC. |
| 11 | | | 650577-1 | SWITCH SD-006-BB2AA-AA | 1 | PC. |
| 12 | | | 142348-5 | MOTOR HOUSING COMPLETE | 1 | PC. |
| | | INC. | 643653-8 | BRUSH HOLDER 6.5-13.5 | 2 | PC. |
| 13 | | | 815F99-6 | NAME PLATE F/UC3551A | 1 | PC. |
| 14 | | | 233173-6 | COMPRESSION SPRING 4 | 1 | PC. |
| 15 | | | 416178-3 | LOCK-OFF BUTTON | 1 | PC. |
| 16 | | | 650717-1 | SWITCH TGC30B | 1 | PC. |
| 17 | | | 265995-6 | TAPPING SCREW 4X18 | 1 | PC. |
| 18 | | | 187915-9 | HANDLE SET | 1 | PC. |
| | | INC. | 802G48-8 | CAUTION LABEL | 1 | PC. |
| 19 | | | 664980-0 | CORD W/PLUG 2P-14-0.3M | 1 | PC. |
| 20 | | | 682574-9 | CORD GUARD 10-90 | 1 | PC. |
| 21 | | | 687124-5 | STRAIN RELIEF | 1 | PC. |
| 22 | | | 265995-6 | TAPPING SCREW 4X18 | 2 | PC. |
| 24 | | | 631720-1 | CONTROLLER | 1 | PC. |
| 25 | | | 419411-2 | SWITCH LEVER | 1 | PC. |
| 26 | | | 194986-9 | CARBON BRUSH CB-154 2PC/SET W/ORIGIN | 1 | SET |
| 27 | | | 643650-4 | BRUSH HOLDER CAP 6.5-13.5 | 2 | PC. |
| 29 | | | 265995-6 | TAPPING SCREW 4X18 | 6 | PC. |
| 30 | | | 142282-9 | TANK CAP COMPLETE | 1 | PC. |
| 31 | | | 142452-0 | GEAR HOUSING COVER COMPLETE | 1 | PC. |
| | | INC. | 802G49-6 | CAUTION LABEL | 1 | PC. |
| 32 | | | 421959-2 | SPONGE SEAL | 1 | PC. |
| 33 | | | 454826-6 | OIL TANK | 1 | PC. |
| 34 | | | 424611-1 | CONNECTOR B | 1 | PC. |
| 35 | | | 424610-3 | CONNECTOR A | 1 | PC. |
| 36 | | | 231975-4 | SPRING | 1 | PC. |
| 37 | | | 416274-7 | CAP | 1 | PC. |
| 38 | | | 454825-8 | ROD | 1 | PC. |
| 39 | | | 233174-4 | COMPRESSION SPRING 6 | 1 | PC. |
| 40 | | | 142449-9 | FRONT HAND GUARD COMPLETE | 1 | PC. |
| | | INC. | 802G47-0 | INDICATION LABEL | 1 | PC. |
| 41 | | | 158044-5 | LINK PLATE COMPLETE | 1 | PC. |
| 42 | | | 234005-0 | COMPRESSION SPRING 9 | 1 | PC. |
| 43 | | | 213017-6 | O RING 6 | 1 | PC. |
| 44 | | | 454821-6 | GEAR HOUSING | 1 | PC. |
| 45 | | | 266041-8 | TAPPING SCREW 5X25 | 4 | PC. |
| 46 | | | 210028-2 | BALL BEARING 606ZZ | 1 | PC. |
| 47 | | | 961006-2 | RETAINING RING S-10 | 1 | PC. |
| 48 | | | 221427-3 | WORM GEAR | 1 | PC. |
| 49 | 1 | | 196419-0 | * OIL PUMP SET | 1 | PC. |
| | | INC. | | * Item No. 48 | | |
| | 2 | | 142156-4 | * OIL PUMP COMPLETE | 1 | PC. |
| 50 | | | 424612-9 | GROMMET | 1 | PC. |
| 51 | | | 265995-6 | TAPPING SCREW 4X18 | 1 | PC. |
| 52 | | | 227627-3 | SPIRAL BEVEL GEAR 37 | 1 | PC. |

| Item No. | Type | Sub | Part No. | Description | Qty | Unit |
|----------|------|-----|----------|----------------------------|-----|------|
| 53 | | | 326373-6 | SPINDLE | 1 | PC. |
| 54 | | | 210107-6 | BALL BEARING 6001ZZ | 1 | PC. |
| 55 | | | 454823-2 | FRONT HANDLE | 1 | PC. |
| 56 | | | 266041-8 | TAPPING SCREW 5X25 | 2 | PC. |
| 57 | | | 345651-5 | SPIKE BUMPER | 1 | PC. |
| 58 | | | 266041-8 | TAPPING SCREW 5X25 | 2 | PC. |
| 59 | | | 319091-3 | BEARING HOUSING | 1 | PC. |
| 60 | | | 266044-2 | TAPPING SCREW 5X60 | 2 | PC. |
| 61 | | | 267195-4 | FLAT WASHER 4 | 1 | PC. |
| 62 | | | 266026-4 | TAPPING SCREW BIND CT 4X12 | 1 | PC. |
| 63 | | | 168426-3 | BRAKE BAND | 1 | PC. |
| 64 | | | 125331-7 | BRAKE DRUM ASSEMBLY | 1 | PC. |
| 65 | | | 253215-0 | FLAT WASHER 8 | 1 | PC. |
| 66 | | | 259033-4 | RETAINING RING E TYPE 6 | 1 | PC. |
| 67 | | | 266427-6 | TAPPING SCREW 4X12 | 1 | PC. |
| 68 | | | 454818-5 | COVER | 1 | PC. |
| 69 | | | 227496-2 | STRAIGHT BEVEL GEAR 14 | 1 | PC. |
| 70 | | | 326372-8 | ADJUST SCREW | 1 | PC. |
| 71 | | | 326310-0 | ADJUST PIN | 1 | PC. |
| 72 | | | 266427-6 | TAPPING SCREW 4X12 | 3 | PC. |
| 73 | | | 142342-7 | SPROCKET COVER COMPLETE | 1 | PC. |
| 75 | | | 263002-9 | RUBBER PIN 4 | 1 | PC. |
| 76 | | | 142665-3 | DRIVE GEAR COMPLETE | 1 | PC. |
| 77 | | | 454819-3 | NUT COVER | 1 | PC. |
| 78 | | | 142235-8 | NUT COMPLETE | 1 | PC. |
| 81 | | | 324685-1 | HOSE CLAMP | 1 | PC. |
| C01 | | | 875588-7 | CARTON | 1 | PC. |
| D01 | | | 654509-0 | CONNECTOR 2-SD | 1 | PC. |
| D02 | | | 654020-2 | RING TERMINAL | 2 | PC. |
| D03 | | | 654501-6 | CONNECTOR P-1.25 | 2 | PC. |
| D04 | | | 654207-6 | RECEPTACLE | 1 | PC. |

ACCESSORIES

- See Catalogue or visit www.makita.ca for more accessories -

| | | | | | | |
|-----|--|--|-------------|-------------------|---|-----|
| A01 | | | 158024-1 | HOOK COMPLETE | 1 | PC. |
| A02 | | | 165201-8 | GUIDE BAR 14" | 1 | PC. |
| A03 | | | 419288-5 | CHAIN COVER F/14" | 1 | PC. |
| A04 | | | 528 092 652 | SAW CHAIN 14" | 1 | PC. |
| A05 | | | 182229-1 | OIL SUPPLY 100CC | 1 | PC. |

SERVICE CHANGES

1. Changes on Oil Pump

(TI#A5303)

| Item No. | Description | Type 1 | Type 2 |
|----------|----------------------------------|--------------------------------|-----------------------------------|
| 49 | Oil Pump Set > Oil Pump Complete | 196419-0 (with item No. 48) | 142156-4 (without item No. 48) |
| 48 | Worm Gear | 221427-3 | |