

RYOBI STRAIGHT SHAFT TRIMMER - MODEL NO. UT70007

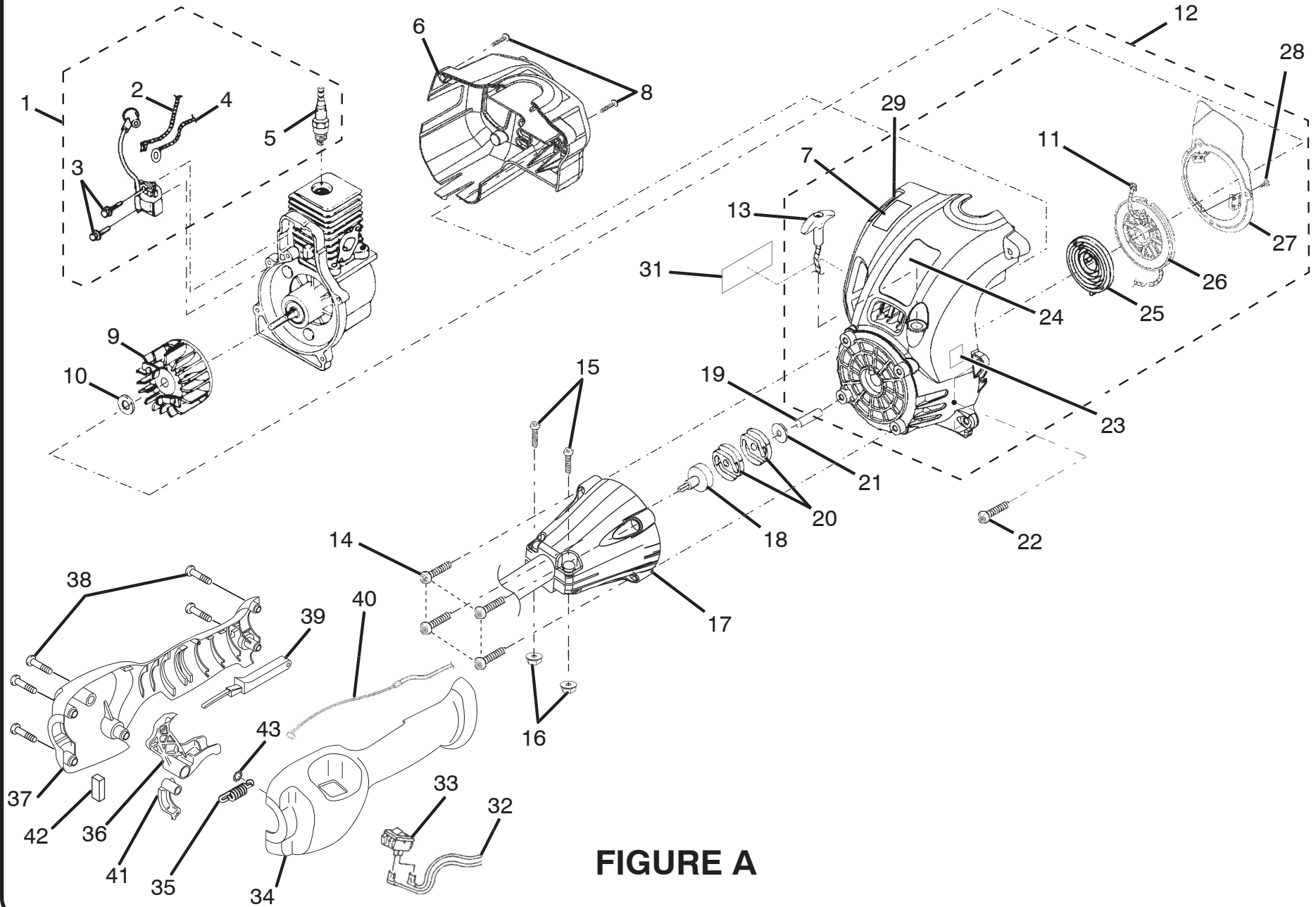


FIGURE A

RYOBI STRAIGHT SHAFT TRIMMER - MODEL NO. UT70007

The model number will be found on a plate attached to the engine housing. Always mention the model number in all correspondence regarding your **STRAIGHT SHAFT TRIMMER** or when ordering repair parts.

PARTS LIST FOR FIGURE A

NO.	KEY NUMBER	PART DESCRIPTION	QTY.	NO.	KEY NUMBER	PART DESCRIPTION	QTY.
1	984520001	IGNITION KIT.....	1	23	PS06141	DECAL-NOISE.....	1
2	A06963	ELECTRICAL LEAD.....	1	24	PS06139	DECAL-MODEL.....	1
3	82540	SCREW.....	2	25	A98773A	SPRING & CONTAINER.....	1
4	A06964	ELECTRICAL LEAD.....	1	26	98770A	STARTER PULLEY.....	1
5	PS02227	SPARK PLUG.....	1	27	PS06339	AIR BAFFLE PLATE.....	1
6	PS01127	REAR COVER.....	1	28	82543	SCREW.....	3
7	PS06138	DECAL-POWERFUL (25cc).....	1	29	PA01641	STARTER HOUSING & EYELET.....	1
8	82537	SCREW (10-14 x 7/8).....	2	30	03646	TORX WRENCH (NOT SHOWN).....	1
9	984521001	ROTOR AND PAWL ASSEMBLY.....	1	31	PS06150	DECAL-FUEL RATIO MIXTURE.....	1
10	PS05268	WASHER.....	1	32	PA00387	ASSEMBLY-LEAD ELEC.....	1
11	9789902	STARTER ROPE (42 in).....	1	33	PS02764	SWITCH-MOMENTARY.....	1
12	984547001	STARTER ASSEMBLY.....	1	34	PS04073	GRIP-TEXTURED LH.....	1
13	PS06114	ERGO GRIP.....	1	35	PS04227	SPRING-EXT.....	1
14	82563	SCREW.....	4	36	PS04077	TRIGGER.....	1
15	82556	SCREW.....	2	37	PS04074	GRIP-TEXTURED RH.....	1
16	81208	NUT.....	2	38	82536	SCREW-THREAD FORM.....	5
17	PS06155	NOSE CONE ADAPTER.....	1	39	PS04075	LOCKOUT.....	1
18	PA01613	DRUM & CONNECTOR.....	1	40	PS04162	THROTTLE CABLE.....	1
19	PS05267	SPACER.....	1	41	PS04076	CABLE ARM.....	1
20	00242	CLUTCH DISK (ST185 & ST385).....	2	42	PS04876	RUBBER INSERT.....	4
21	98929A	WASHER.....	1	43	83024	WASHER-LOCK (#6).....	1
22	82538	SCREW.....	4				

RYOBI STRAIGHT SHAFT TRIMMER - MODEL NO. UT70007

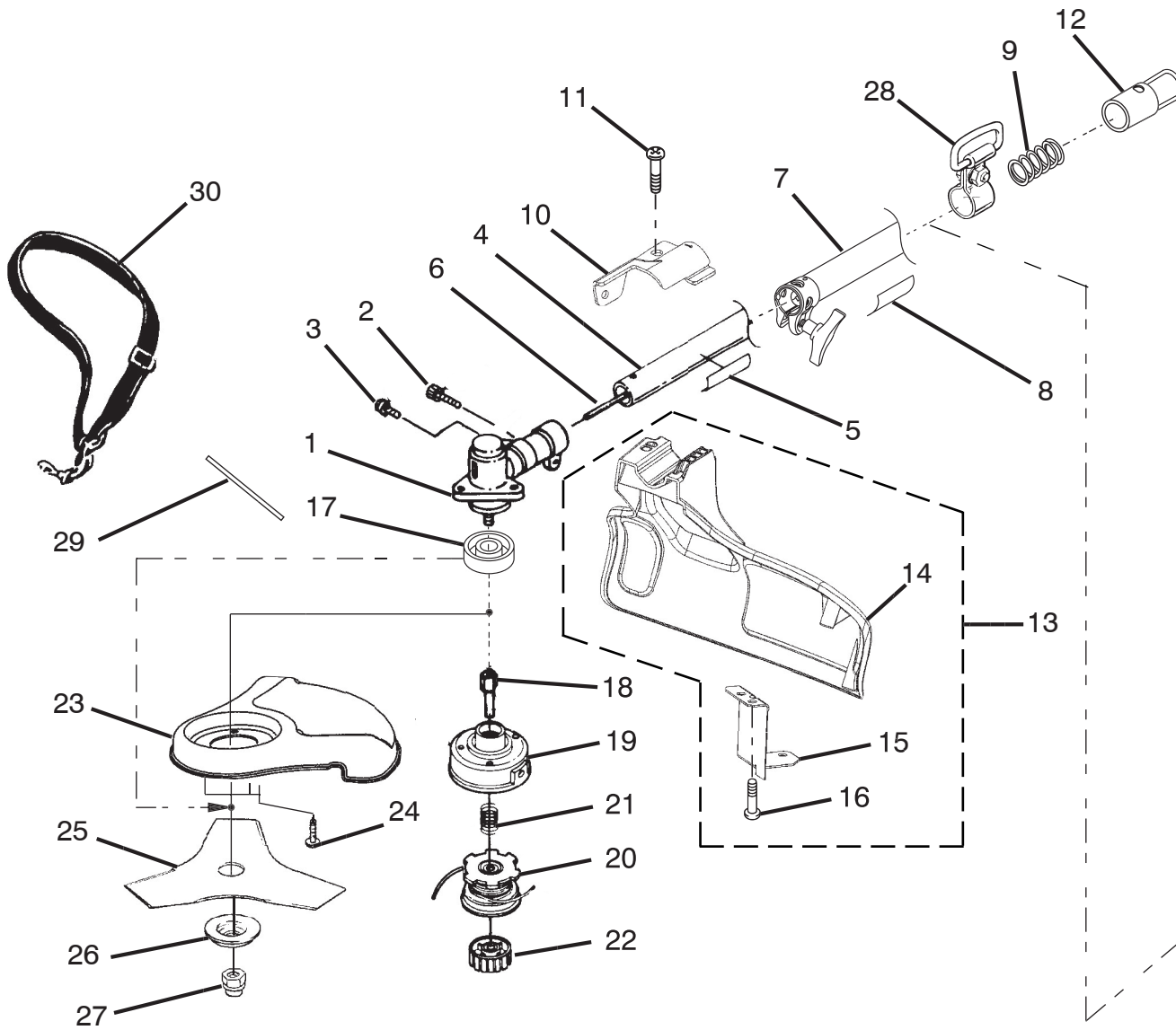


FIGURE B

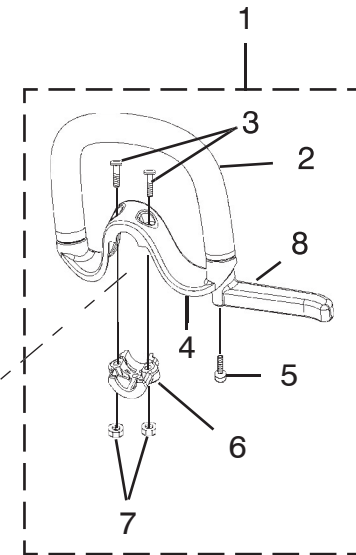


FIGURE C

RYOBI STRAIGHT SHAFT TRIMMER - MODEL NO. UT70007

The model number will be found on a plate attached to the motor housing. Always mention the model number in all correspondence regarding your **STRING TRIMMER** or when ordering repair parts.

PARTS LIST FOR FIGURE B

KEY NO.	PART NUMBER	DESCRIPTION	QTY.
1	PA01364	GEAR HEAD	1
2	PS04680	SCREW-CAP HD. (1/4-20 x 1.25").....	1
3	PS04673	SCREW-HEX HD. (10-24 x .625").....	1
4	984529001	DRIVESHAFT HOUSING (Lower)	1
5	PS06165	DECAL-WARNING	1
6	A07679	SHAFT-FLEXIBLE.....	1
7	984692001	DRIVESHAFT HOUSING (Upper)	1
8	PS04267	BOOM STARTING INST.....	1
9	PS05266	SPRING-COMPRESSION	1
10	PS04420	CLAMP-GRASS SHIELD	1
11	82554	SCREW-HEX HD. (1/4-20 x 1.25").....	1
12	PS02155	END CAP	1
13	984443002	DEFLECTOR-GRASS ADAPTOR	1
14	984099001	GRASS SHIELD.....	1
15	PS04379	BLADE-CUT-OFF	1
16	82543	SCREW-PAN HD. (8-16 x 1/2").....	3
17	04168A	WASHER-FLANGED	1
18	PS04438	ADAPTER-STRINGHEAD	1
19	A98231A	HOUSING AND EYELET (Dual Line)	1
20	PA01347A	SPOOL W/LINE (.095 in.)	1
21	06713	SPRING-COMPRESSION	1
22	A97910A	SPOOL RETAINER (LH/THREAD)	1

PARTS LIST FOR FIGURE B

KEY NO.	PART NUMBER	DESCRIPTION	QTY.
23	PS03538	BLADE GUARD.....	1
24	88049	SCREW	3
25	06297	BLADE-TRI-ARC™	1
26	04409	WASHER-CUPPED (Lower)	1
27	04277	NUT-HEX (L.H.)	1
28	07255	HANGER-COMPLETE	1
29	00063	TOOL-HOLDING Pin	1
30	983961001	HARNES.	1

PARTS LIST FOR FIGURE C

KEY NO.	PART NUMBER	DESCRIPTION	QTY.
1	983798002	ASSIST HANDLE ASSEMBLY.....	1
2	984439001	ASSIST HANDLE W/GRIP	1
3	PS04159	SCREW (12-24 x 1 SEMS).....	2
4	PS04070	M CLAMP	1
5	82620	SCREW	2
6	PS04072	CLAMP	1
7	81068	HEX NUT (12-14)	2
8	PS04071	BARRIER.....	1

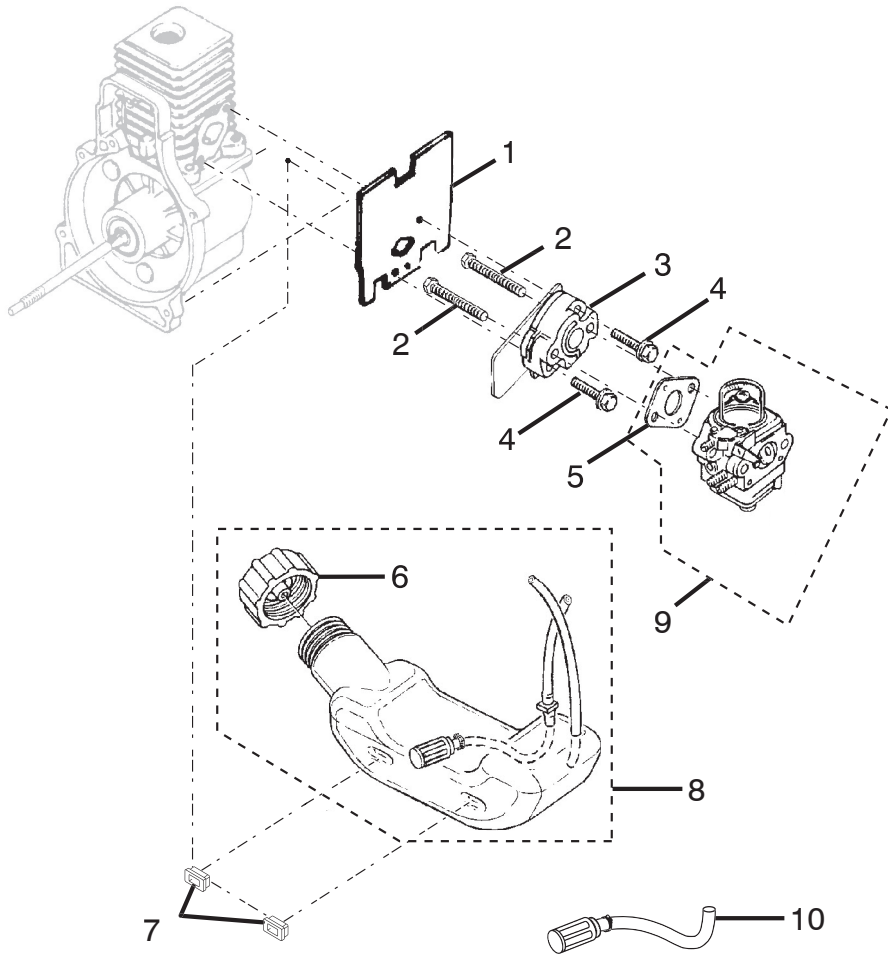


FIGURE D

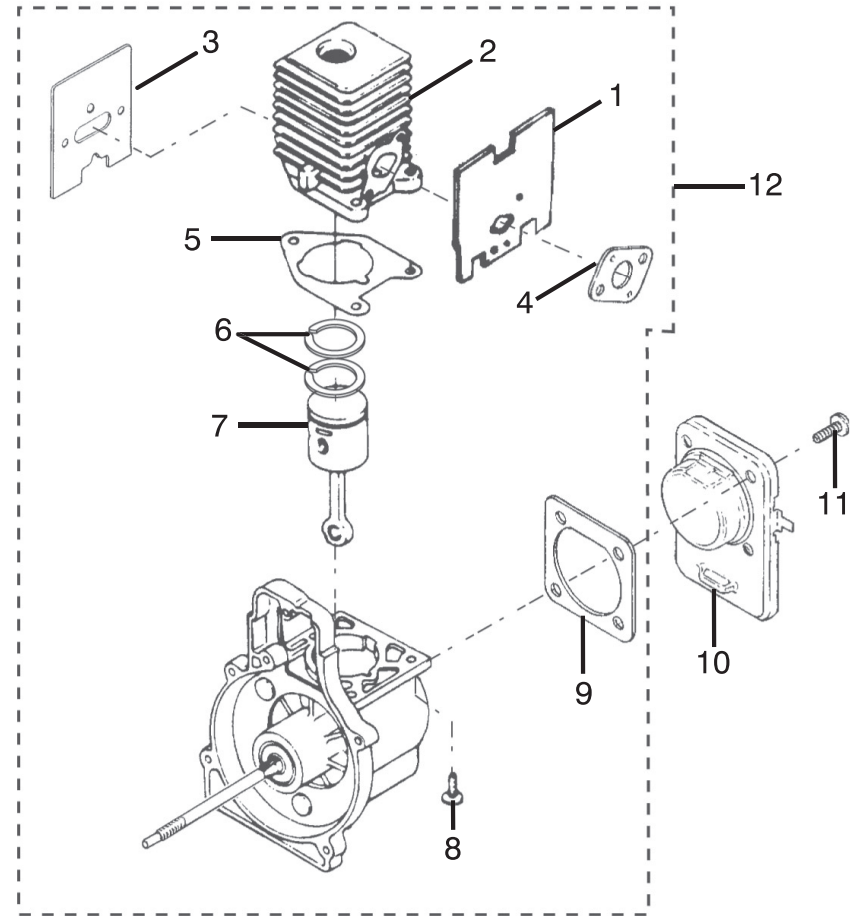


FIGURE E

RYOBI STRAIGHT SHAFT TRIMMER - MODEL NO. UT70007

The model number will be found on a plate attached to the motor housing. Always mention the model number in all correspondence regarding your **STRING TRIMMER** or when ordering repair parts.

PARTS LIST FOR FIGURE D

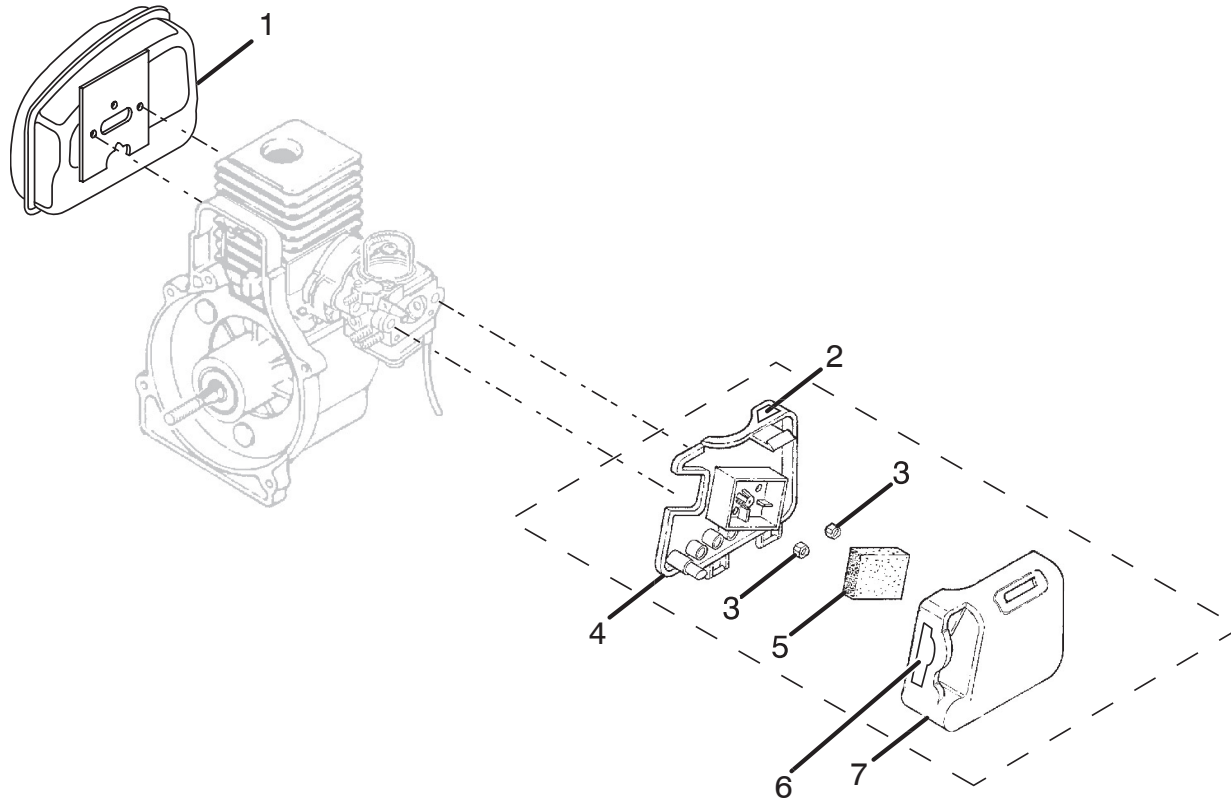
PARTS LIST FOR FIGURE E

KEY NO.	PART NUMBER	DESCRIPTION	QTY.
1	06900A	HEAT DAM GASKET	1
2	04474	CARBURETOR BOLT	2
3	98768A	HEAT DAM	1
4	093221	PAN HEAD SEMS SCREW	2
5	98766A	CARBURETOR GASKET	1
6	A09116	FUEL CAP	1
7	98792	BUMPER	3
8	984691001	* FUEL TANK ASSEMBLY	1
9	984549001	CARBURETOR ASSEMBLY KIT	1
10	985077001	FUEL FILTER KIT	1

KEY NO.	PART NUMBER	DESCRIPTION	QTY.
1	06900A	HEAT DAM GASKET	1
2	PS02128	CYLINDER	1
3	PS04000	MUFFLER GASKET	1
4	98766A	CARBURETOR GASKET	1
5	04388B	CYLINDER GASKET	1
6	PS03498	PISTON RING (1-5/16 in.)	2
7	984543001	PISTON ASSEMBLY KIT	1
8	PS02807	SCREW (12-24 x .660 PAN TORX)	3
9	06443A	GASKET COVER, C/C	1
10	PS02130	CRANKCASE COVER	1
11	PS01565	PAN HEAD SCREW	4
12	984546001	SHORT BLOCK ASSEMBLY	1

* WHEN ORDERING FUEL TANK ASSEMBLY (ITEM NUMBER 8), ALSO ORDER BUMPERS (ITEM NUMBER 7)

RYOBI STRAIGHT SHAFT TRIMMER - MODEL NO. UT70007



PARTS LIST

KEY NO.	PART NUMBER	DESCRIPTION	QTY.
1	PA01073	MUFFLER ASSEMBLY.....	1
2	PS02112	PRIMER DECAL.....	1
3	81208	LOCK NUT (10-24).....	2
4	PS02113	BOX AIR FILTER (CONEHEAD).....	1
5	98760	AIR FILTER.....	1
6	PS02429	CHOKE DECAL.....	1
7	PS02309	AIR BOX COVER.....	1
8	06502	SPARK SCREEN (NOT SHOWN).....	1
	PS06147	OPERATOR'S MANUAL.....	1
	983000-372R	REPAIR SHEET.....	1

10-02-03