



# SERVICE PARTS LIST

BUL. 54-22-9021

6" GRINDER

REVISED BUL 6155-2 DATE FEB. '68

MODEL NO. V-691G

Starting Serial No. 155-2025

WIRING INSTR.

Both Model and Serial No. must be furnished to obtain correct parts.

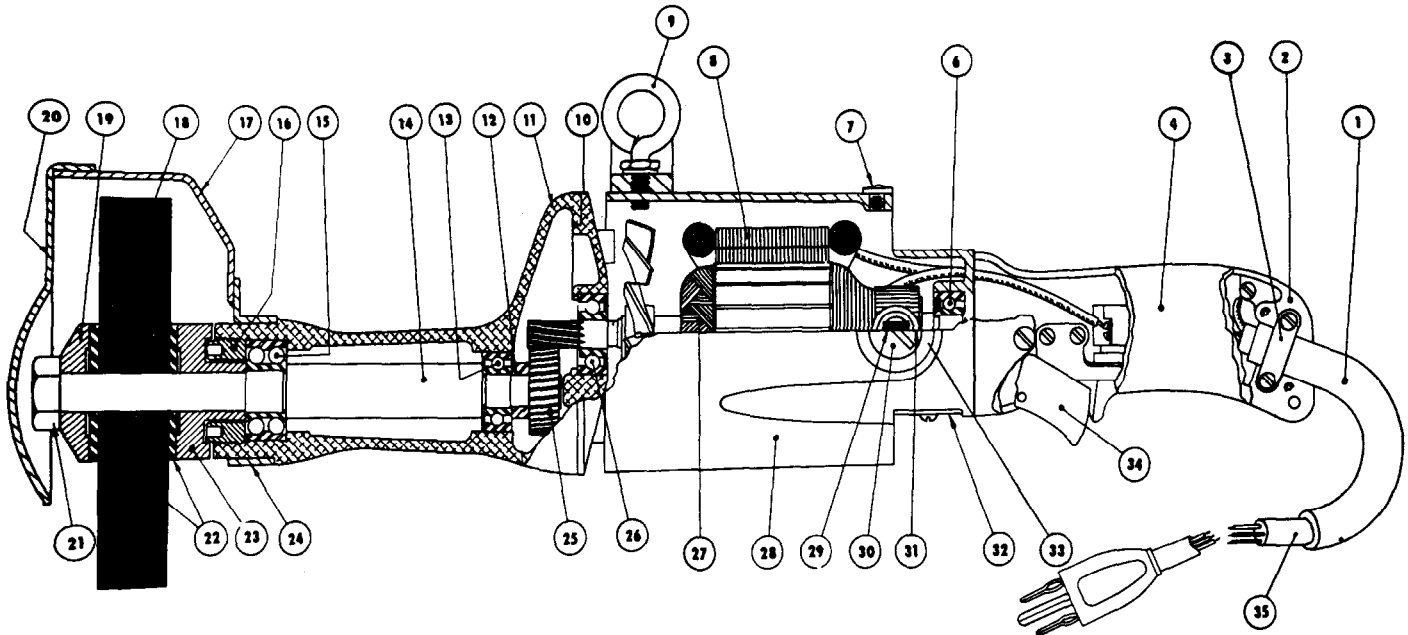


FIG.	PART NO.	DESCRIPTION OF PART
1	23-82-0060	Cord Protector Tube
2	28-44-1041	Handle (Switch Mounting Side)
3	28-17-0200	Cord Clamp Strap
4	28-44-9081	Handle (Switch Cover Side)
6	02-04-1070	Ball Brg. (Comm. End)
7	06-77-1400	Drive Screw Tool Rest Button
8	18-82-1170	Field Assembly
9	43-26-0050	Eye Bolt Assembly
10	28-28-1021	Diaphragm
11	28-50-7601	Spindle Housing
12	45-36-0220	Spindle Gear Spacer
13	02-04-1520	Ball Brg. (Inner)
14	38-50-3901	Spindle
15	02-20-1720	Ball Brg. (Outer)
16	44-40-0180	Bearing Lock Nut
17	43-54-0120	6" Guard Assembly
18		Specify Grit 6x1x5/8 hole Grinding Wheel

FIG.	PART NO.	DESCRIPTION OF PART
19	43-34-0060	Outer Wheel Flange
20		Sold only as an Assembly
21	06-55-3250	Spindle Nut
22	45-88-0260	Rubber Flange Washers
23	43-34-0070	Inner Wheel Flange
24		Sold only as an Assembly
25	32-75-2281	Spindle Gear
26	02-04-1140	Ball Brg. (Pinion End)
27	16-82-1460	Armature Assembly
28	14-38-0200	Motor Housing
29	22-18-0260	Carbon Brush Assemblies (per set 2)
30	23-44-0065	Brush Ret. Cap Assy. (per set 2)
31	22-22-0130	Brush Holder Assembly (2)
32	44-66-0100	Commutator Cover Plate
33	22-24-0100	Brush Holder Bushing Steel (2)
34	23-66-0250	Switch Assembly
35	22-64-0160	Cord Set

MISCELLANEOUS PARTS NOT SHOWN

SIZE OR PART NO.	DESCRIPTION OF PART
12-30-2800	Name Plate
23-86-0130	Insulating Washers (2)
06-81-6100 #8-32x7/16" Fil. Hd.	Cord Clamp Strap Screws (2)
06-81-7150 #10-24x1-3/8" Fil. Hd.	Spindle Housing Screws (4)
06-81-3750 #8-32x1" Oval Hd.	Handle Cover Screw
06-81-3700 #8-32x7/8" Oval Hd.	Handle Cover Screw (2)
06-81-7550 #12-24x3/4" Fil. Hd.	Switch Handle Screws (4)
06-83-2650 1/4"-20x3/8 Hd. less	Brush Holder Set Screws (2)
06-81-8950 #8-32x2 1/4" Rd. Hd.	Field Screws (2)

SIZE OR PART NO.	DESCRIPTION OF PART
06-81-8625 #6-32x 1/4" Rd. Hd.	Ground Wire Screw (Brass)
06-81-5400 #8-32x5/16 Binder H.D.	Switch Mounting Screws (2)
06-81-8200 #4-36 Rd. Hd.	Name Plate Screws (2)
06-81-8650 #6-32x 1/4" Rd. Hd.	Comm. Cover Plate Screws (2)
06-81-6950 #10-24x1/2" Fil Hd.	Sem. Tool Rest Screws (2)
06-97-3200 #8	Kantlink Lockwasher (10)
06-97-3400 #10	Kantlink Lockwasher
06-97-3600 #12	Kantlink Lockwasher