

. - 3 601 JC3 511 - VAC140AH

www.powertools-aftersaleservice.com

**BOSCH**

Item	Part Number	Description	Illustration	Price	Quantity	Price Group
24	2 609 200 425	Locking Piece	3	-,-	2	21
27	2 609 200 401	Magnet	4	-,-	1	20
28	2 609 200 423	Clamping Piece	3	-,-	1	20
29	2 609 200 390	Support	4	-,-	1	24
37	2 609 200 427	Sensor	3	-,-	2	15
47	2 609 200 483	Spring	4	-,-	1	22
53	2 609 200 464	Support	2	-,-	1	27
54	2 609 200 465	Support	2	-,-	1	23
57	2 609 200 466	Strap-Shaped Handle	2	-,-	1	41
72	2 609 200 420	Seal	3	-,-	1	23
80	2 610 033 209	Motor Housing	3	-,-	1	-
85	2 609 200 436	Hose Holder	1	-,-	2	34
99	2 609 200 424	Cord	3	-,-	1	21
100	2 609 200 392	O-Ring	4	-,-	1	11
113	2 609 200 406	Plug	1	-,-	6	10
154	2 610 033 210	Power supply cord	3	-,-	1	-
162	2 610 033 211	Cable	3	-,-	2	-
170	2 609 200 555	Magnet	4	-,-	1	43
190	1 600 A01 317	Filter	3	-,-	1	-
199	2 609 200 422	Screw	1	-,-	4	10
201	2 609 200 410	Screw	1	-,-	15	10
204	2 609 200 470	Screw	2	-,-	1	10
205	2 609 200 400	Screw	4	-,-	1	11
206	2 609 200 414	Positioning Element	1	-,-	5	10
210	2 609 200 399	Serrated Lock-Washer	4	-,-	1	10
215	2 609 200 397	Lens Head Screw	3	-,-	5	10
239	2 609 200 469	Screw	2	-,-	1	11
250	2 609 200 454	Clamping Ring	6	-,-	1	12
251	2 609 200 497	Suction Pipe	6	-,-	1	26
259	2 609 200 462	Nozzle	6	-,-	1	22
260	2 609 200 496	Socket	6	-,-	1	36
300	2 609 200 445	Rotary Knob	1	-,-	1	11
307	2 610 033 191	Warning Label	1	-,-	1	-

Item	Part Number	Description	Illustration	Price	Quantity	Price Group
308	2 609 200 438	Screw	1	-,-	6	10
313	2 610 033 193	Cable	1	-,-	1	-
320	2 609 200 456	Bolt	2	-,-	1	13
322	2 609 200 461	Fastening Part	4	-,-	1	10
414	2 610 033 194	Label	1	-,-	1	-
416	2 610 033 204	Label	1	-,-	1	-
417	2 610 033 206	Warning Label	1	-,-	1	-
419	2 610 034 325	Warning Label	4	-,-	1	-
420	2 610 027 620	Label	4	-,-	2	-
422	2 610 033 205	Warning Label	1	-,-	1	-
8021	2 609 200 388	Switch	1	-,-	1	37
8022	2 610 034 324	Contact	3	-,-	1	-
8025	2 609 200 473	Support	2	-,-	1	24
8030	2 610 033 225	Valve Plate	4	-,-	1	-
8031	2 609 200 493	Housing	3	-,-	1	49
8032	2 610 034 327	Housing Cover	4	-,-	1	-
8033	2 609 200 391	Cover	4	-,-	1	38
8034	2 610 033 020	Housing	1	-,-	1	-
8035	2 610 033 231	Dust Chamber	2	-,-	1	-
8036	2 609 200 458	Axle	2	-,-	1	27
8039	2 609 200 444	Handle	1	-,-	1	28
8048	2 609 200 468	Fastening parts kit	2	-,-	1	24
8049	2 610 047 953	Nameplate	1	-,-	1	-
8058	2 609 200 419	Caster Wheel	2	-,-	1	37
8068	2 609 200 431	Seal Kit	3	-,-	1	32
8081	2 609 200 472	Support	2	-,-	1	26
8090	2 609 200 413	Sound Insulation Mat	3	-,-	1	30
8092	2 610 033 195	Sound Insulation Mat	1	-,-	1	-
8093	2 610 033 232	Sound Insulation Mat	1	-,-	1	-
8103	2 610 033 229	Wheel	2	-,-	1	-
8106	2 609 200 471	Caster Wheel	2	-,-	1	36
8107	2 610 033 213	Motor	3	-,-	1	51
8110	2 609 200 435	Holder	1	-,-	1	27
8111	2 609 200 407	Holder	4	-,-	1	27
8113	2 609 200 405	Fastening parts kit	4	-,-	1	26
8115	2 609 200 393	Filter Cover	4	-,-	1	30
8160	2 610 033 226	Magnet	4	-,-	1	-
8161	2 610 033 212	Cable	3	-,-	1	-
8162	1 600 A01 A4P	Cable	4	-,-	1	-
8175	2 609 200 561	Wafer	3	-,-	1	52
8211	2 609 200 418	Fastening parts kit	2	-,-	1	27
8257	2 608 000 A09	Hose	6	-,-	1	51
8301	2 610 033 199	Control Panel	1	-,-	1	-
8303	2 610 033 197	Socket	1	-,-	1	-
8305	2 609 200 383	Wafer	1	-,-	1	36
8310	2 609 200 395	Drainage Fitting	2	-,-	1	35
8321	2 609 200 428	Spring Housing	3	-,-	1	28
8417	2 609 200 387	Foil keyboard	1	-,-	1	38

Illustration - Type E

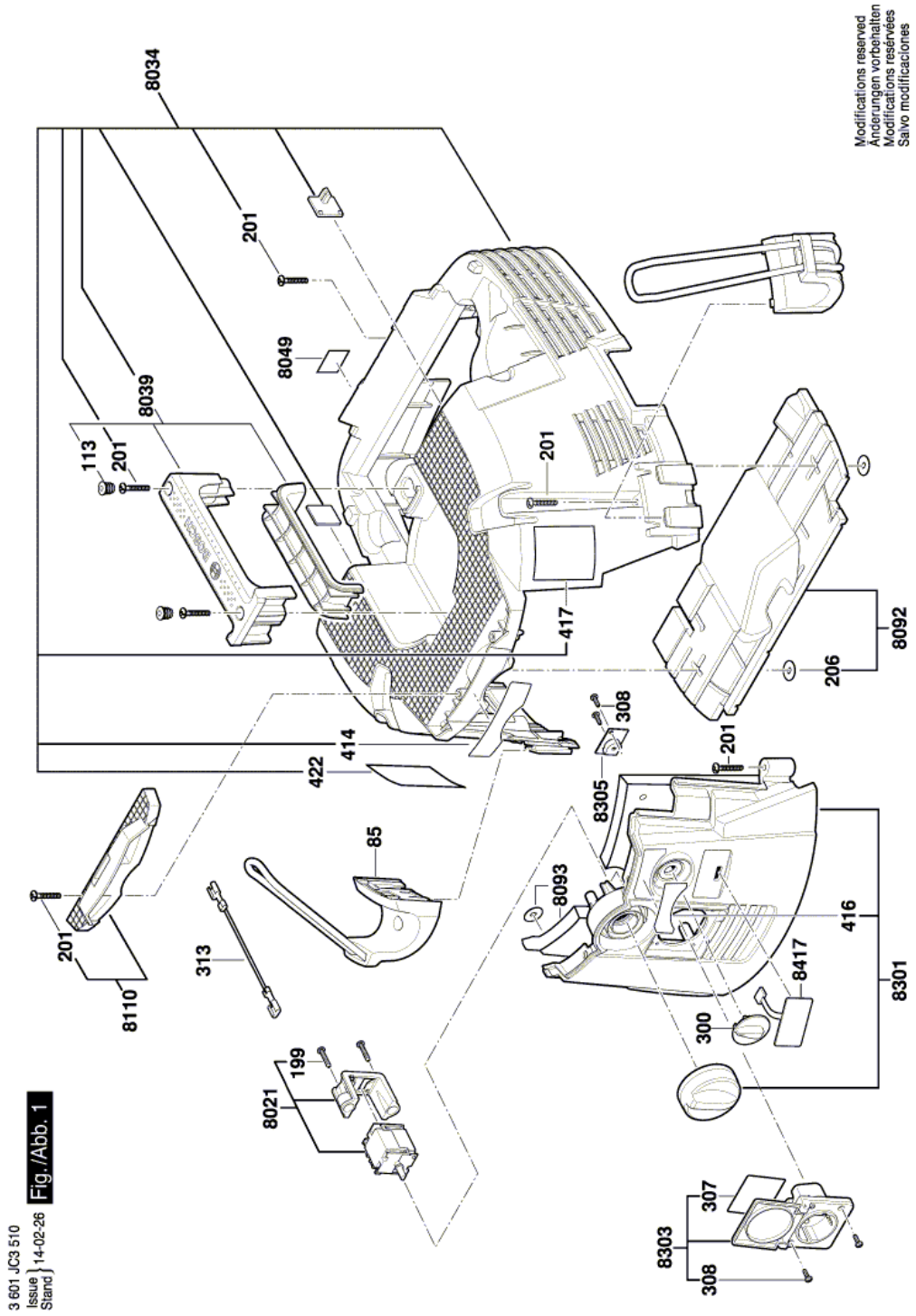


Illustration - Type E

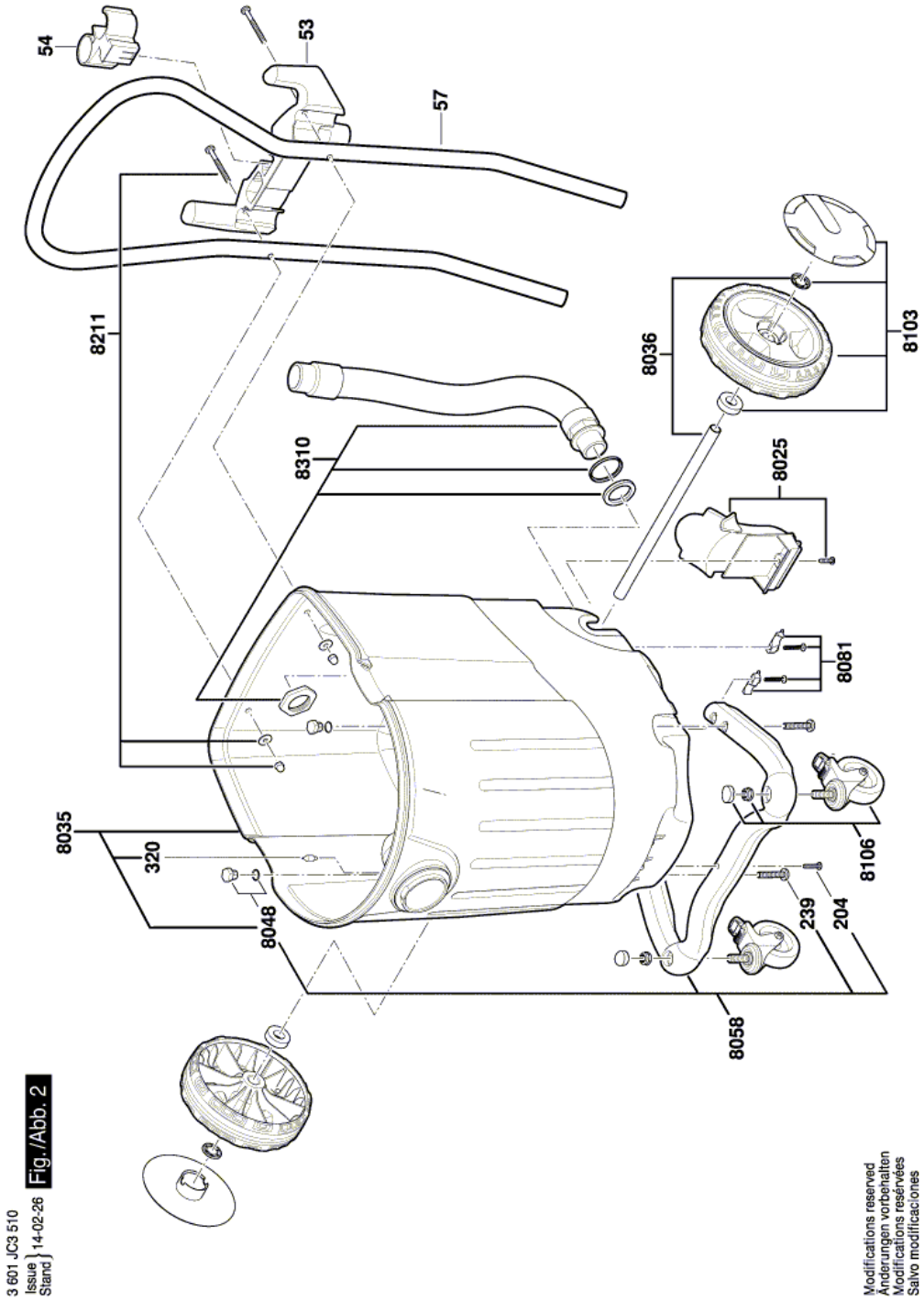
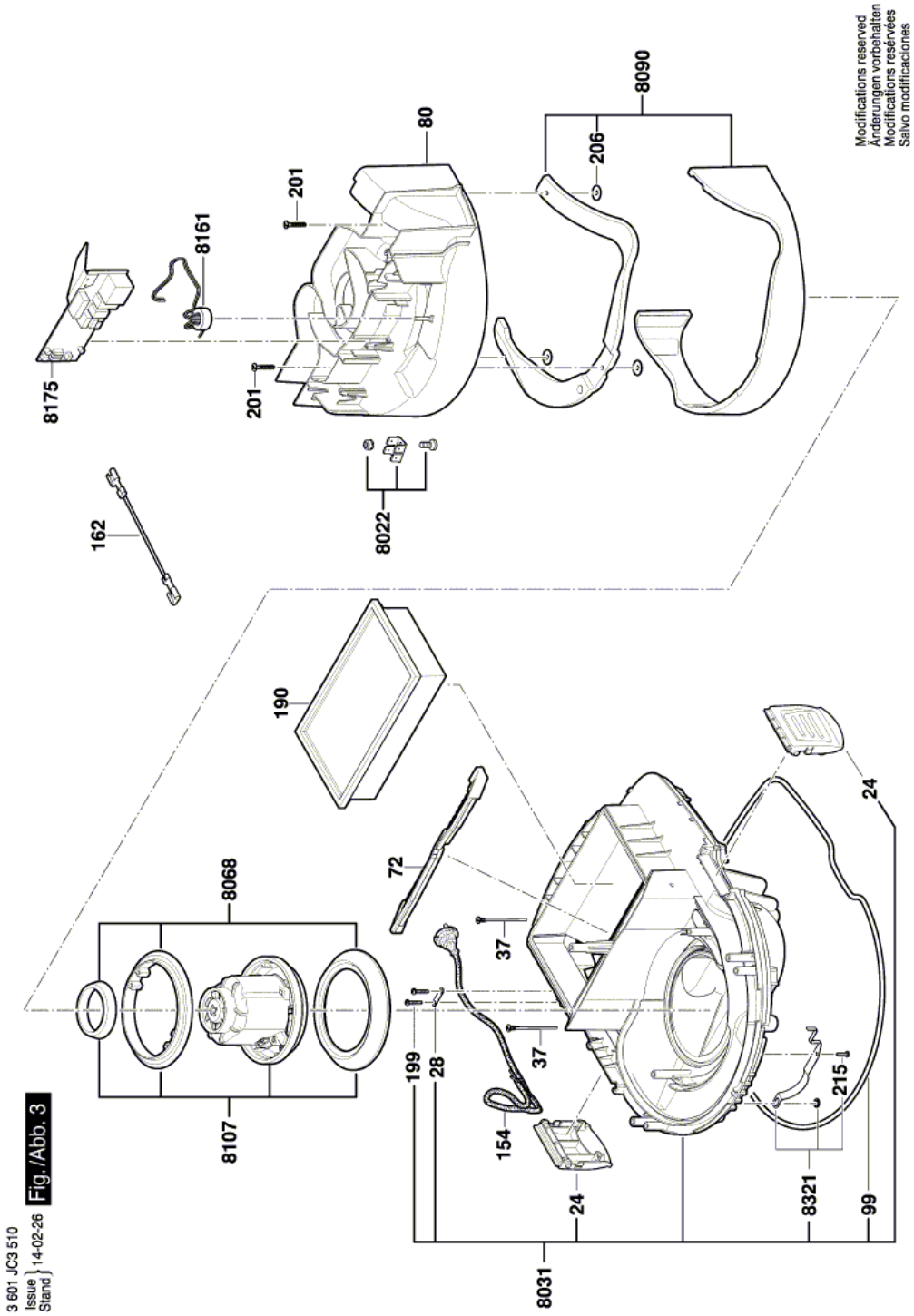


Illustration - Type E



3 601 JC3 510
 Issue 14-02-26
 Stand

Fig./Abb. 3

Modifications reserved
 Änderungen vorbehalten
 Modifications réservées
 Salvo modificaciones

Illustration - Type E

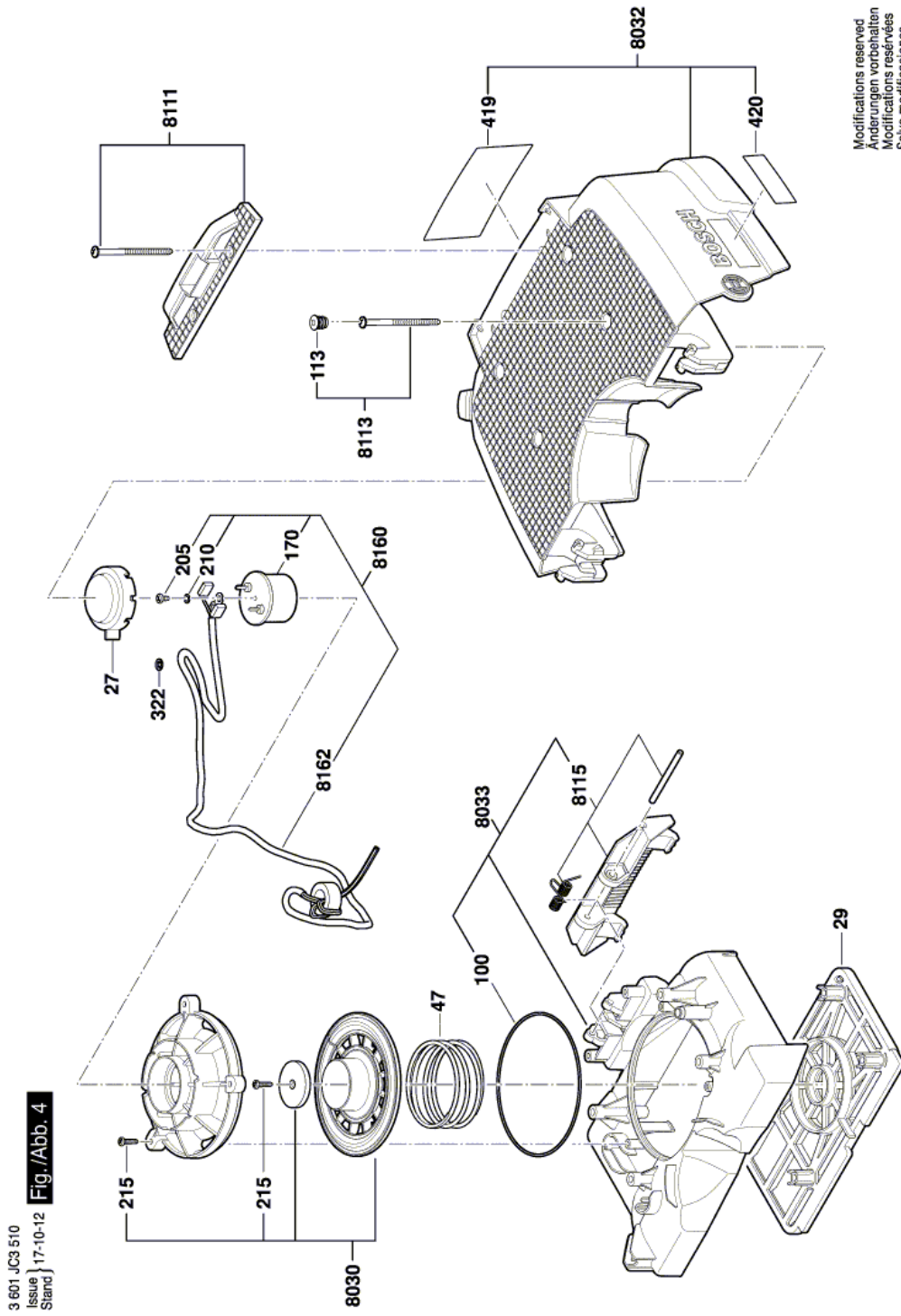


Illustration - Type E

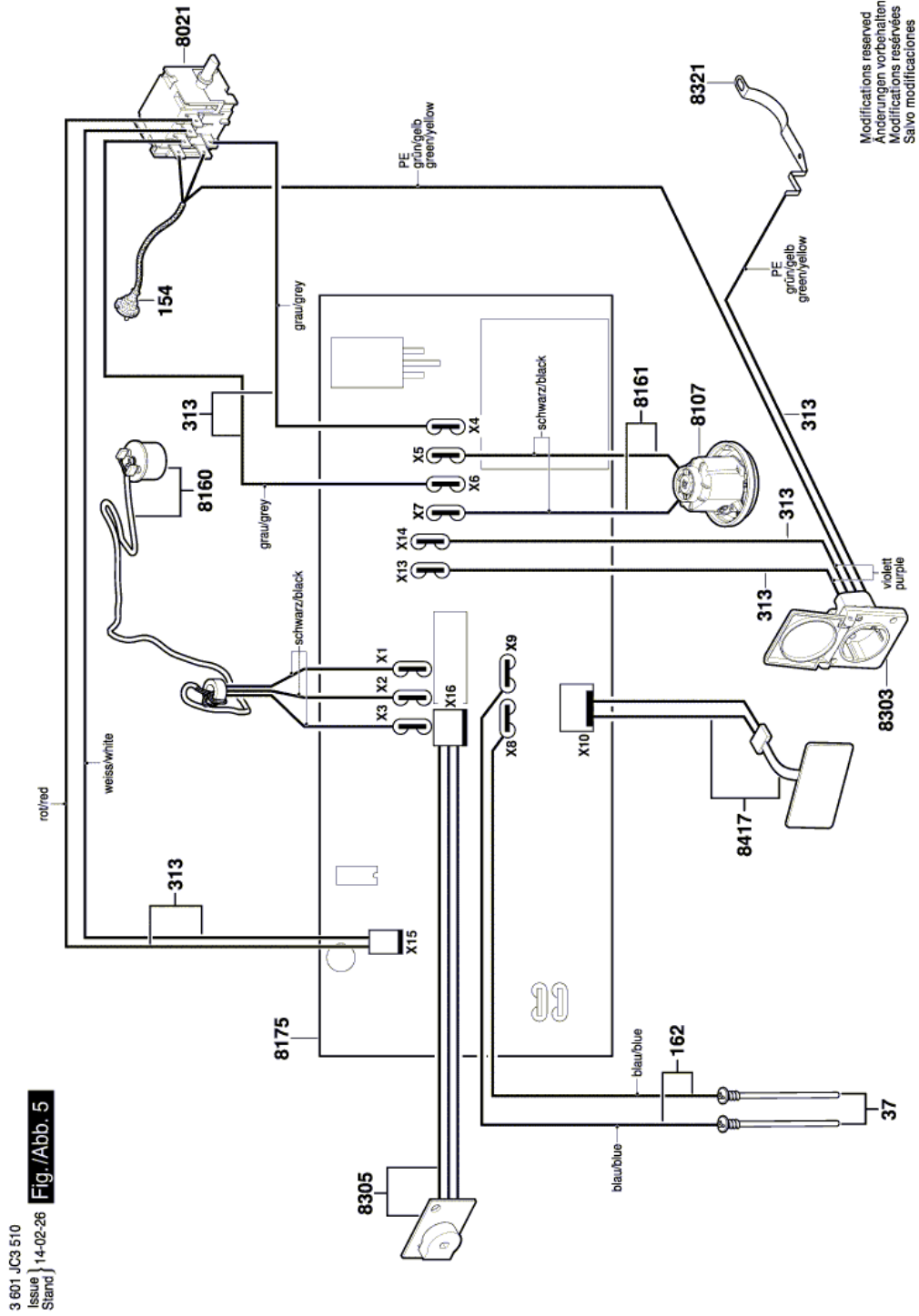
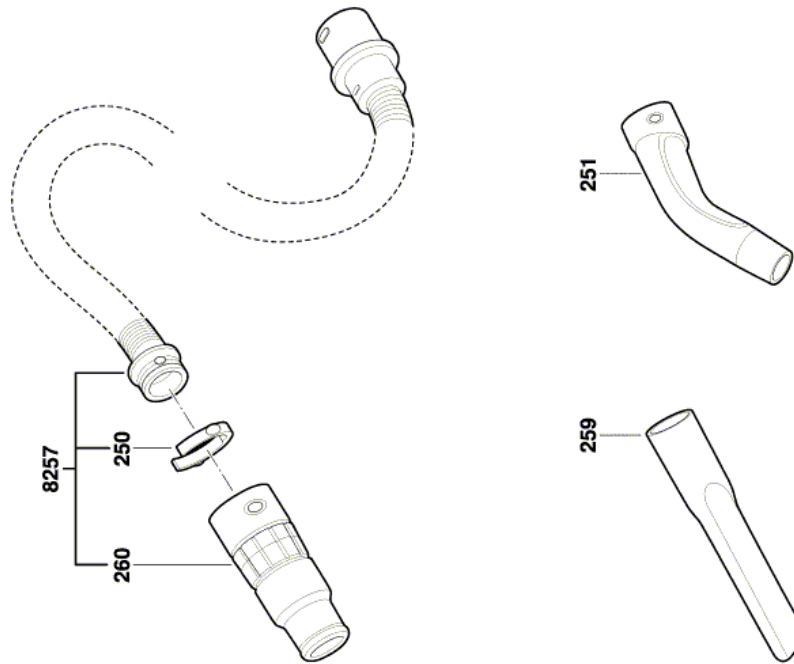


Illustration - Type E



3 601 JC3 510
Issue } 14-02-26
Stand } **Fig./Abb. 6**

Modifications reserved
Änderungen vorbehalten
Modificaciones reservées
Salvo modificaciones

Information subject to change without further notice.