



BOSCH

All Purpose Vacuum Cleaners

VAC90AH | 3 601 JC3 111

Table of Content

Spare parts list.....	2
Illustration - Type.....	5

All Purpose Vacuum Cleaners | VAC90AH | 3 601 JC3 111

Spare parts list

Item	Part Number	Description	Illustration
23	2 609 200 453	Support	1
85	2 609 200 436	Hose Holder	1
113	2 609 200 406	Plug	1
199	2 609 200 422	Screw	1
201	2 609 200 410	Screw	1
206	2 609 200 414	Positioning Element	1
300	2 609 200 445	Rotary Knob	1
307	2 610 033 191	Warning Label	1
308	2 609 200 438	Screw	1
313	2 610 033 193	Cable	1
414	2 610 033 194	Label	1
416	2 610 033 204	Label	1
417	2 610 033 206	Warning Label	1
422	2 610 033 205	Warning Label	1
8021	2 609 200 388	Switch	1
8034	2 610 033 020	Housing	1
8039	2 609 200 444	Handle	1
8049	2 610 047 951	Nameplate	1
8092	2 610 033 195	Sound Insulation Mat	1
8093	2 610 033 232	Sound Insulation Mat	1
8110	2 609 200 435	Holder	1
8301	2 610 033 199	Control Panel	1
8303	2 610 033 197	Socket	1
8305	2 609 200 383	Wafer	1
8417	2 609 200 387	Foil keyboard	1
25	2 609 200 452	Support	2
105	2 609 200 450	Caster Wheel	2
106	2 609 200 451	Caster Wheel	2
320	2 609 200 456	Bolt	2
8020	1 607 000 D8X	Support	2
8035	2 610 033 230	Dust Chamber	2
8036	2 609 200 458	Axle	2
8058	2 609 200 449	Bumper	2
8103	2 610 033 229	Wheel	2
24	2 609 200 425	Locking Piece	3

All Purpose Vacuum Cleaners | VAC90AH | 3 601 JC3 111

Spare parts list

Item	Part Number	Description	Illustration
28	2 609 200 423	Clamping Piece	3
37	2 609 200 427	Sensor	3
72	2 609 200 420	Seal	3
80	2 610 033 209	Motor Housing	3
99	2 609 200 424	Cord	3
154	2 610 033 210	Power supply cord	3
162	2 610 033 211	Cable	3
190	1 600 A01 317	Filter	3
215	2 609 200 397	Lens Head Screw	3
8022	2 610 034 324	Contact	3
8031	2 609 200 493	Housing	3
8068	2 609 200 431	Seal Kit	3
8090	2 609 200 413	Sound Insulation Mat	3
8107	2 610 033 213	Motor	3
8161	2 610 033 212	Cable	3
8175	2 609 200 561	Wafer	3
8321	2 609 200 428	Spring Housing	3
27	2 609 200 401	Magnet	4
29	2 609 200 390	Support	4
47	2 609 200 483	Spring	4
100	2 609 200 392	O-Ring	4
170	2 609 200 555	Magnet	4
205	2 609 200 400	Screw	4
210	2 609 200 399	Serrated Lock-Washer	4
322	2 609 200 461	Fastening Part	4
419	2 610 034 323	Warning Label	4
420	2 610 027 618	Label	4
8030	2 610 033 225	Valve Plate	4
8032	2 610 033 218	Housing Cover	4
8033	2 609 200 391	Cover	4
8111	2 609 200 407	Holder	4
8113	2 609 200 405	Fastening parts kit	4
8115	2 609 200 393	Filter Cover	4
8160	2 610 033 226	Magnet	4
8162	1 600 A01 A4P	Cable	4

Spare parts list

Item	Part Number	Description	Illustration
250	2 609 200 454	Clamping Ring	6
251	2 609 200 497	Suction Pipe	6
259	2 609 200 462	Nozzle	6
260	2 609 200 496	Socket	6
8257	2 608 000 A09	Hose	6

Illustration - Type - E

3 601 JC3 110
 Issue | 14-02-26
 Stand | Fig./Abb. 1

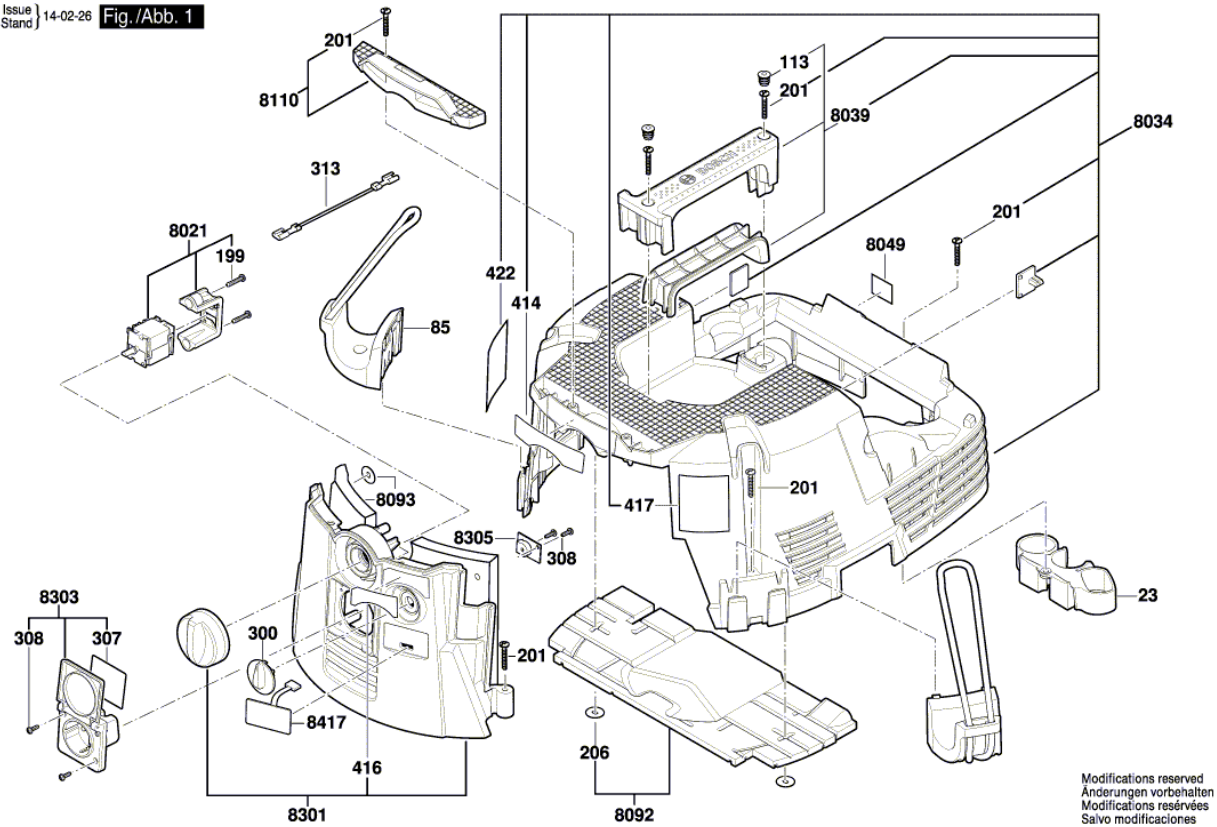
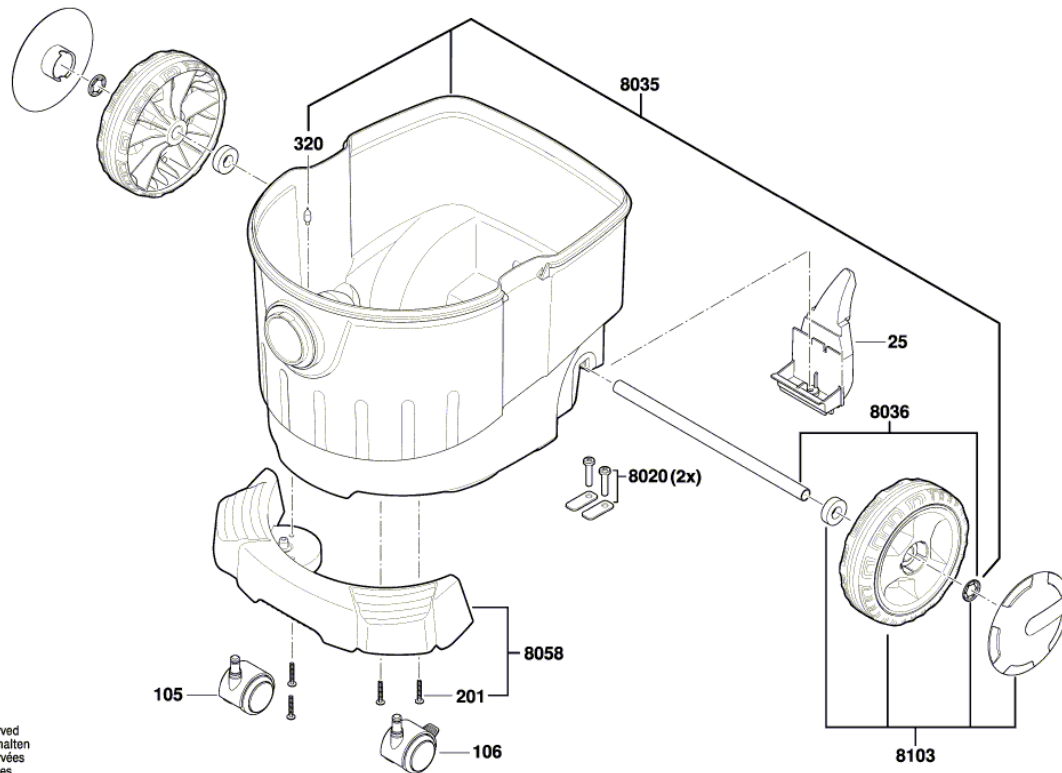


Illustration - Type - E

3 601 JC3 110
Issue | 19-01-21
Stand | **Fig./Abb. 2**

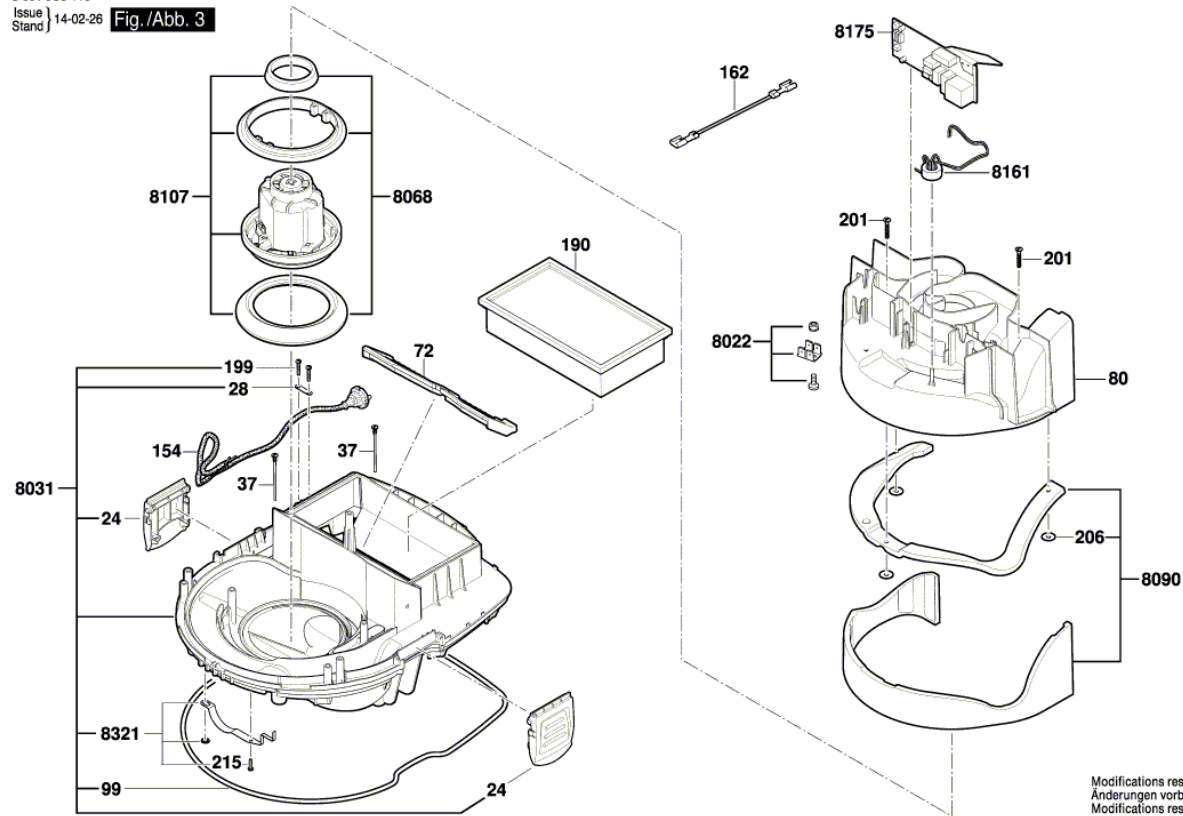


Modifications reserved
Änderungen vorbehalten
Modificaciones reservadas
Salvo modificaciones

Illustration - Type - E

3 601 JC3 110
Issue |
Stand |

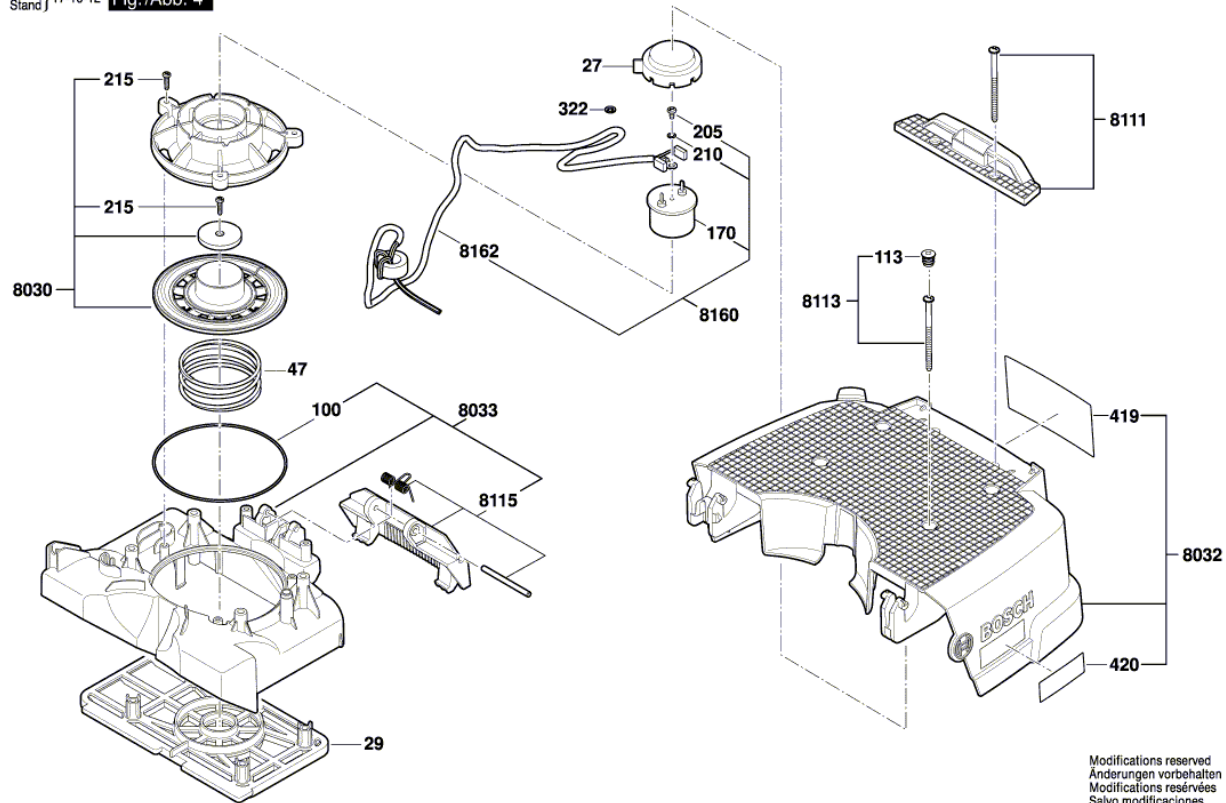
14-02-26 Fig./Abb. 3



Modifications reserved
Änderungen vorbehalten
Modifications réservées
Salvo modificaciones

Illustration - Type - E

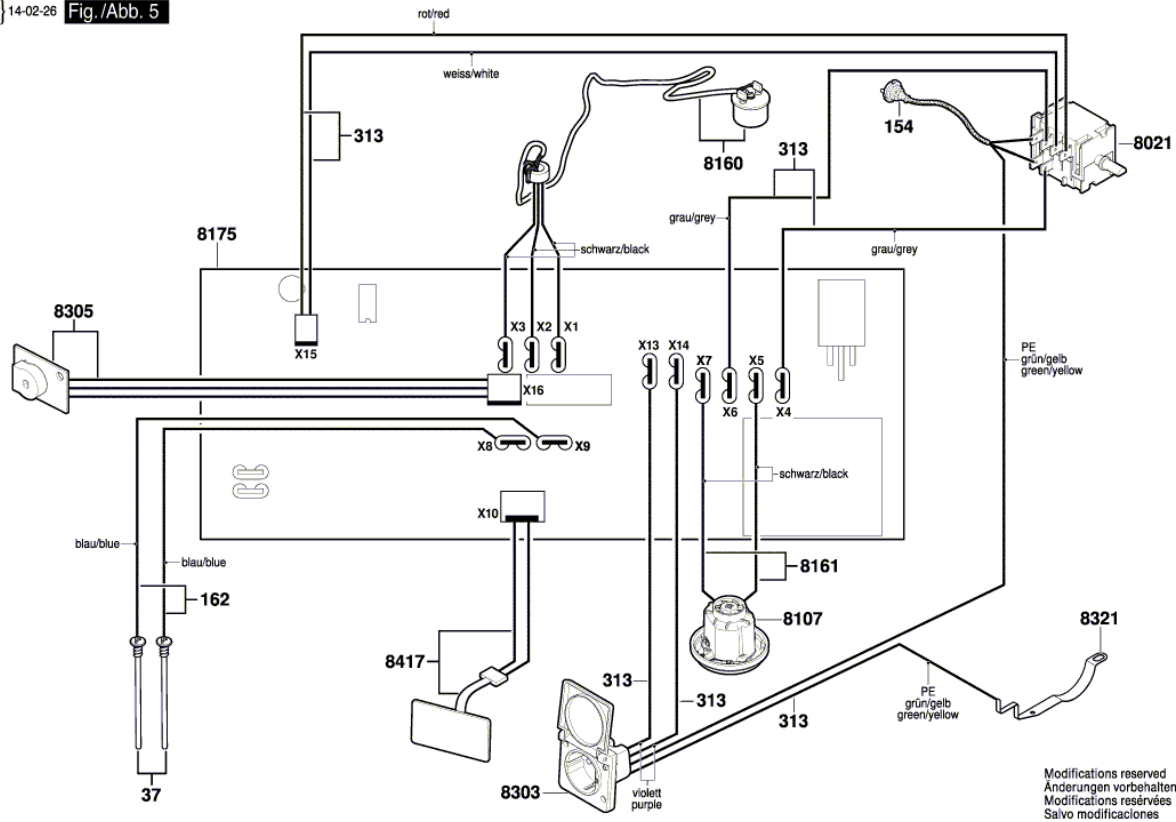
3 601 JC3 110
 Issue |
 Stand | 17-10-12 Fig./Abb. 4



Modifications reserved
 Änderungen vorbehalten
 Modifications réservées
 Salvo modificaciones

Illustration - Type - E

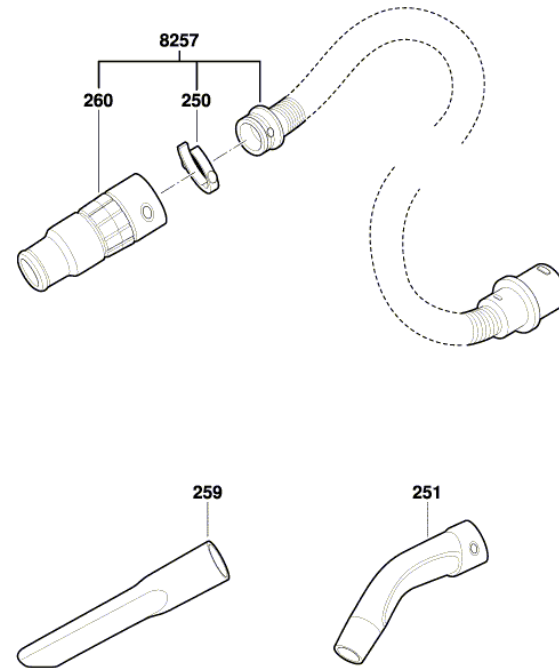
3 601 JC3 110
 Issue | 14-02-26
 Stand | Fig./Abb. 5



Modifications reserved
 Änderungen vorbehalten
 Modifications réservées
 Saivo modificaciones

Illustration - Type - E

3 601 JC3 110
Issue | 14-02-26
Stand | **Fig./Abb. 6**



Modifications reserved
Änderungen vorbehalten
Modifications réservées
Salvo modificaciones