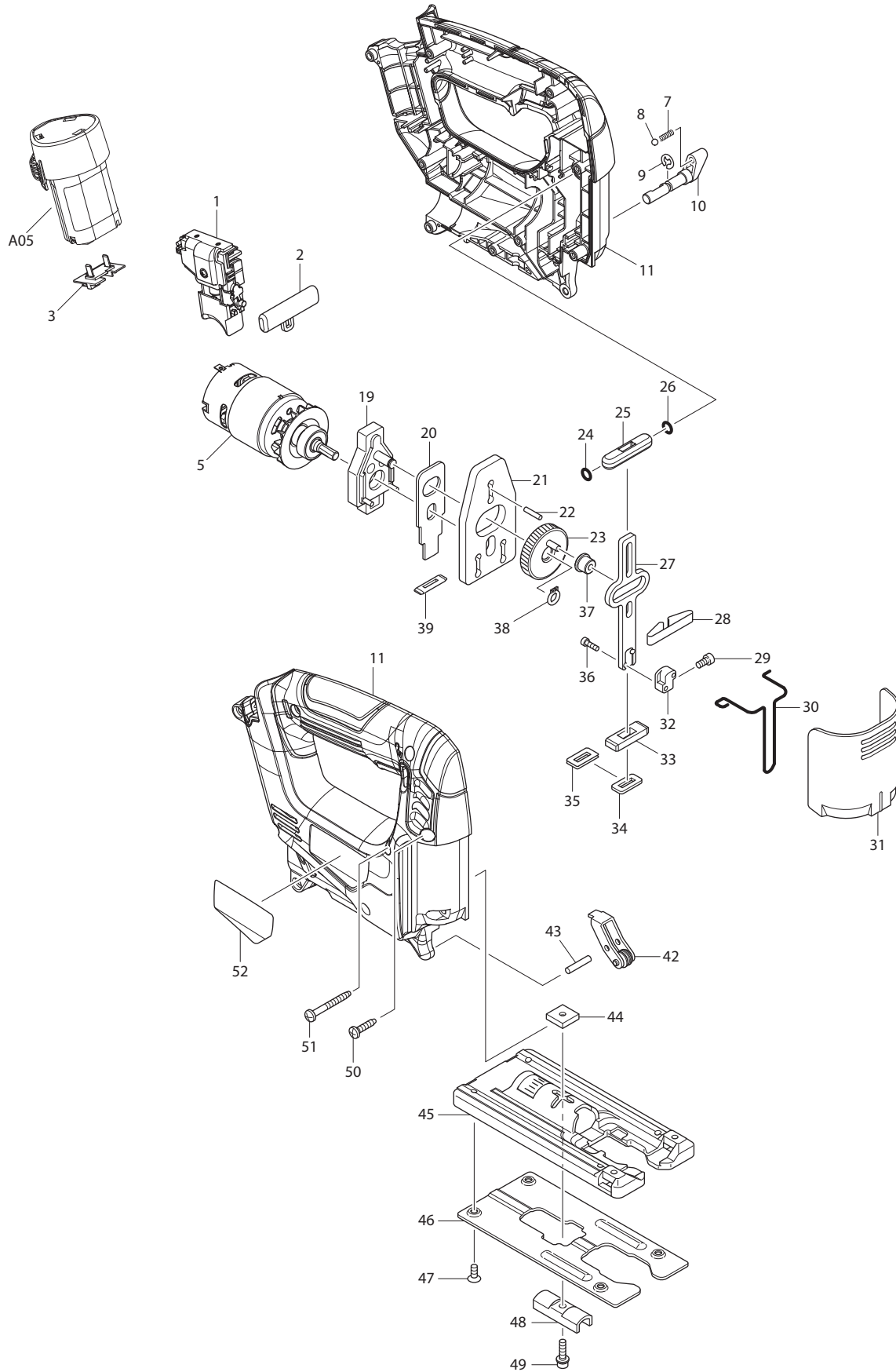




10 - 2011
VJ01 / VJ01Z
12V JIG SAW



Item No.	Type	Sub	Part No.	Description	Qty	Unit
1			650679-3	SWITCH C3HW-3A-M	1	PC.
2			417880-1	CHANGE LEVER F/R	1	PC.
3			643830-2	TERMINAL	1	PC.
5			629926-3	DC MOTOR	1	PC.
7			233151-6	COMPRESSION SPRING 4	1	PC.
8			216008-6	STEEL BALL 4	1	PC.
9			961011-9	STOP RING E-4	1	PC.
10			272267-2	LEVER 19	1	PC.
11			187274-1	HOUSING SET	1	SET
		INC.	890539-9	CAUTION LABEL (FR / SP)	1	PC.
19			152600-3	BEARING CASE COMPLETE	1	PC.
20			344683-9	PUSH PLATE	1	PC.
21			344614-8	BALANCE PLATE	1	PC.
22			256254-9	PIN 3	1	PC.
23			153260-4	GEAR COMPLETE	1	PC.
24			213038-8	O RING 5	1	PC.
25			313082-6	SLIDER GUIDE	1	PC.
26			213038-8	O RING 5	1	PC.
27			344613-0	SLIDER	1	PC.
28			232183-0	LEAF SPRING	1	PC.
29			922107-1	HEX. SOCKET HEAD BOLT M4X8	1	PC.
30			323748-0	SAFETY WIRE	1	PC.
31			416476-5	DUST COVER	1	PC.
32			313140-8	BLADE CLAMP	1	PC.
33			313086-8	SLIDER SUPPORT	1	PC.
34			423307-1	POLYURETHANE SPONGE SEAL	1	PC.
35			344686-3	SEAL PLATE	1	PC.
36			266177-3	HEX. SOCKET HEAD BOLT M3X10	2	PC.
37			257683-9	COLLAR SLEEVE	1	PC.
38			961002-0	RETAINING RING S-6	1	PC.
39			416703-0	DUST SEAL	1	PC.
42			158392-2	RETAINER COMPLETE	1	PC.
43			256117-9	PIN 4	1	PC.
44			343540-8	HOLDER	1	PC.
45			317796-9	BASE	1	PC.
46			345441-6	BASE PLATE	1	PC.
47			912107-9	COUNTERSUNK HEAD SCREW M4X8	4	PC.
48			344685-5	CLAMP COMPLETE	1	PC.
49			922128-3	HEX. SOCKET HEAD BOLT M4X16	1	PC.
50			266326-2	TAPPING SCREW 4X18	9	PC.
51			266351-3	TAPPING SCREW 4X35	1	PC.
52			896566-4	VJ01 NAME PLATE	1	PC.
C01			872757-1	CARTON FOR VJ01	1	PC.
C01A			872763-6	CARTON FOR VJ01Z	1	PC.
D01			654281-4	RECEPTACLE	2	PC.

ACCESSORIES

-See catalogue or visit www.makita.ca for more optional accessories -

A01			792529-7	JIG SAW BLADE B-10, 5PC/SET	1	PC.
A02			783201-2	HEX. WRENCH 3	1	PC.
A03			192732-4	GUIDE RULE SET	1	SET
		INC.	165217-3	GUIDE RULE (N/A individually)	1	PC.
		INC.	323802-0	GUIDE PIN	1	PC.
		INC.	271601-3	KNOB 20	1	PC.
		INC.	922107-1	HEX. SOCKET HEAD BOLT M4X8	1	PC.
A04			DC10WB	CHARGER DC10WB	1	PC.
A05			195332-9	12V MAX LI-ION BATTERY BL1014	1	PC.

Item No.	Type	Sub	Part No.	Description	Qty	Unit
A06			821508-9	PLASTIC CARRYING CASE	1	PC.
A06		INC.	162315-4	LATCH	2	PC.
		INC.	452137-3	HANDLE	1	PC.
A07			192278-0	HOSE COMPLETE 28-1.5	1	PC.
A08			192279-8	HOSE COMPLETE 28-3.0	1	PC.
A09			415524-7	ANTI-SPLINTERING DEVICE	1	PC.
A10			417852-6	COVER PLATE	1	PC.