



## Operating Instructions and Parts Manual VOLT™ Series Electric Chain Hoists

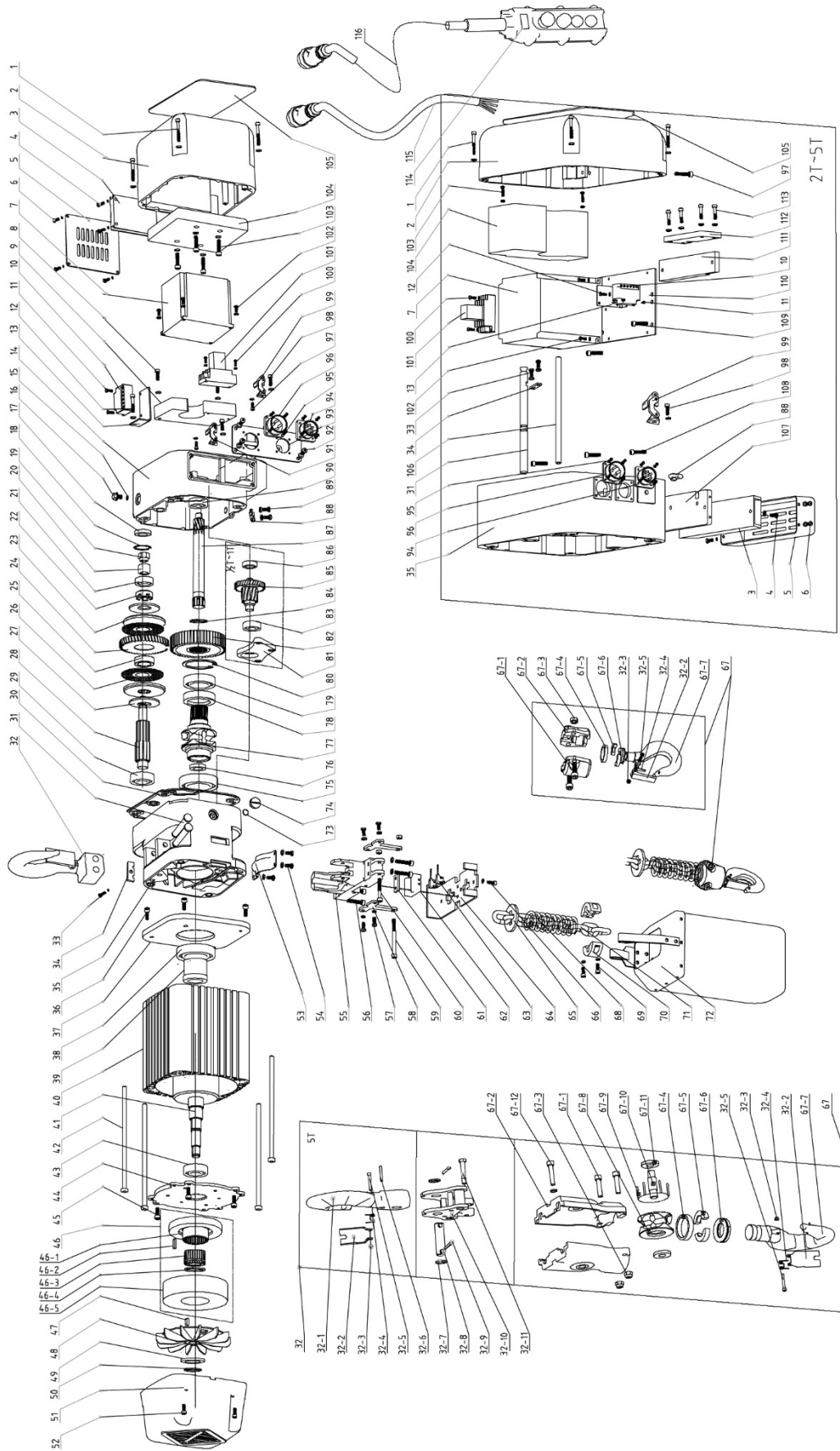


1/4 ton model shown

**JET**  
427 New Sanford Road  
LaVergne, Tennessee 37086  
Ph.: 800-274-6848  
www.jettools.com

**Part No. M-182510**  
Revision E 09/2015  
Copyright © 2015 JET

# 21.1.1 Exploded View for 0.25T to 5T Hoists (VOLT series)



## 21.1.2 Parts List for 0.25T to 5T Hoists (VOLT series)

Note: Items showing (5T) also pertain to the 10-ton model.

Index No.	Part No.	Description	Size	Qty
1	TS-1502091	Socket Head Cap Screw (1/4T~5T)	M5x40	4
2	VOLT-100-03P-2	Inverter Side Cover (1/4T,1/2T,1T)		1
	VOLT-300-03P-2	Inverter Side Cover (2T,3T,5T)		1
3	VOLT-050-13P-3	Brake Resistor (1/4T,1/2T)(230V 3PH, 230V 1PH)		1
	VOLT-050-03P-3	Brake Resistor (1/4T,1/2T)(460V 3PH)		1
	VOLT-100-13P-3	Brake Resistor (1T)(230V 3PH, 230V 1PH)		1
	VOLT-100-03P-3	Brake Resistor (1T)(460V 3PH)		1
	VOLT-300-13P-3	Brake Resistor (2T,3T,5T)(230V 3PH, 230V 1PH)		1
	VOLT-300-03P-3	Brake Resistor (2T,3T,5T)(460V 3PH)		1
4	VOLT-050-03P-4	Phillips Pan Hd Mach Screw (1/4T,1/2T)	M5x20	4
	VOLT-100-03P-4	Phillips Pan Hd Mach Screw (1T)	M5x35	4
	VOLT-300-03P-4	Phillips Pan Hd Mach Screw (2T,3T,5T)	M4x12	2
5	VOLT-100-03P-5	Brake Resistor Cover (1/4T,1/2T,1T)		1
	VOLT-300-03P-5	Brake Resistor Cover (2T,3T,5T)		1
6	TS-1502031	Socket Head Cap Screw (1/4T,1/2T,1T)	M5x12	2
	TS-1501031	Socket Head Cap Screw (2T,3T,5T)	M4x10	2
7	VOLT-025-03P-7	Inverter (1/4T)(460V 3PH)	WJ200-015(400V)	1
	VOLT-025-13P-7	Inverter (1/4T)(230V 3PH, 230V 1PH)	WJ200-015(200V)	1
	VOLT-050-03P-7	Inverter (1/2T)(460V 3PH)	WJ200-015(400V)	1
	VOLT-050-13P-7	Inverter (1/2T)(230V 3PH, 230V 1PH)	WJ200-015(200V)	1
	VOLT-100-03P-7	Inverter (1T)(460V 3PH)	WJ200-022(400V)	1
	VOLT-100-13P-7	Inverter (1T)(230V 3PH, 230V 1PH)	WJ200-022(200V)	1
	VOLT-200-03P-7	Inverter (2T,5T,10T)(460V 3PH)	WJ200-040(400V)	1
	VOLT-200-13P-7	Inverter (2T,5T,10T)(230V 3PH, 230V 1PH)	WJ200-040(200V)	1
	VOLT-300-03P-7	Inverter (3T)(460V 3PH)	WJ200-040(400V)	1
	VOLT-300-13P-7	Inverter (3T)(230V 3PH, 230V 1PH)	WJ200-040(200V)	1
8	TS-1503061	Socket Head Cap Screw (1/4T,1/2T,1T)	M6x25	2
9	VOLT-100-03P-9	Relay Bracket (1/4T,1/2T,1T)		1
10	VOLT-100-03P-10	Rectifier (1/4T~5T)		1
11	VOLT-100-03P-11	Phillips Pan Hd Mach Screw (1/4T~5T)	M4x12	2
12	TS-1503061	Socket Head Cap Screw (1/4T,1/2T,1T)	M6x25	1
13	VOLT-100-03P-13	Rectifier Bracket (1/4T,1/2T,1T)		1
	VOLT-300-03P-13	Rectifier Bracket (2T,3T,5T)		1
14	VOLT-100-03P-14G	Gear Side Cover (1/4T,1/2T,1T)		1
	VOLT-300-03P-14G	Gear Side Cover (2T,3T,5T)		1
15	VOLT-100-03P-15	O-Ring (1/4T~5T)	Ø14mm	1
16	VOLT-100-03P-16	Vent Plug (1/4T~5T)		1
17	VOLT-100-03P-17	U-Packing (1/4T,1/2T,1T)	35x22x7mm	1
	VOLT-300-03P-17	U-Packing (2T,3T,5T)	47x28x7mm	1
18	VOLT-100-03P-18	Retainer Ring (1/4T,1/2T,1T)	Ø35mm	1
	VOLT-300-03P-18	Retainer Ring (2T,3T,5T)	Ø47mm	1
19	VOLT-100-03P-19	Nylon Lock Hex Nut (1/4T,1/2T,1T)	M12x1.25	1
	TS-2342161	Nylon Lock Hex Nut (2T,3T,5T)	M16	1
20	VOLT-100-03P-20	Spacer B (1/4T,1/2T,1T)		1
	VOLT-300-03P-20	Spacer B (2T,3T,5T)		1
21	BB-6202	Ball Bearing (1/4T,1/2T,1T)	6202	1
	BB-6204	Ball Bearing (2T,3T,5T)	6204	1
22	VOLT-025-03P-22	Spacer A (1/4T)		1
	VOLT-100-03P-22	Spacer A (1/2T,1T)		1
	VOLT-300-03P-22	Spacer A (2T,3T,5T)		1
23	VOLT-100-03P-23	Friction Pad (1/4T,1/2T,1T)		2
	VOLT-300-03P-23	Friction Pad (2T,3T,5T)		2
24	VOLT-025-03P-24	Big Gear 1 (1/4T)		1
	VOLT-100-03P-24	Big Gear 2 (1/2T,1T)		1
	VOLT-300-03P-24	Big Gear 1 (2T,3T,5T)		1
25	VOLT-025-03P-25	Collar (1/4T)		1
	VOLT-100-03P-25	Collar (1/2T,1T)		1
	VOLT-300-03P-25	Collar (2T,3T,5T)		1

Index No.	Part No.	Description	Size	Qty
26	VOLT-100-03P-26	Friction Disc Assembly (1/4T,1/2T,1T)		2
	VOLT-300-03P-26	Friction Disc Assembly (2T,3T,5T)		2
27	VOLT-025-03P-27	Dish Spring (1/4T,1/2T)		2
	VOLT-100-03P-27	Dish Spring (1T)		4
	VOLT-300-03P-27	Dish Spring (2T,3T,5T)		2
28	VOLT-025-03P-28	Small Gear Shaft 2 (1/4T)		1
	VOLT-100-03P-28	Small Gear Shaft 3 (1/2T,1T)		1
	VOLT-300-03P-28	Small Gear Shaft 2 (2T,3T,5T)		1
29	BB-6204	Ball Bearing (1/4T,1/2T,1T)	6204	1
	VOLT-300-03P-29	Ball Bearing (2T,3T,5T)	NJ305	1
30	VOLT-100-03P-30	Inside Seal (1/4T,1/2T,1T)		1
	VOLT-300-03P-30	Inside Seal (2T,3T,5T)		1
31	VOLT-100-03P-31	Hook Shaft (1/4T,1/2T,1T)		2
	VOLT-300-03P-31	Hook Shaft (2T,3T,5T)		1
32	VOLT-025-03P-32	Top Hook Assembly (1/4T)		1
	VOLT-050-03P-32	Top Hook Assembly (1/2T)		1
	VOLT-100-03P-32	Top Hook Assembly (1T)		1
	VOLT-300-03P-32	Top Hook Assembly (2T,3T)		1
	VOLT-500-03P-32	Top Hook Assembly (5T)		1
33	VOLT-100-03P-33	Phillips Pan Hd Mach Screw (1/4T,1/2T,1T)	M5x12	1
	VOLT-300-03P-33	Phillips Pan Hd Mach Screw (2T,3T,5T)	M5x12	2
34	VOLT-100-03P-34	Hook Shaft Baffle (1/4T,1/2T,1T)		1
	VOLT-300-03P-34	Hook Shaft Baffle (2T,3T,5T)		1
35	VOLT-100-03P-35G	Gear Box Housing (1/4T,1/2T,1T)		1
	VOLT-300-03P-35G	Gear Box Housing (2T,3T,5T)		1
36	TS-1503051	Socket Head Cap Screw (1/4T~5T)	M6x20	4
37	VOLT-100-03P-37	Motor Front Cover (1/4T,1/2T,1T)		1
	VOLT-300-03P-37	Motor Front Cover (2T,3T,5T)		1
38	BB-6007ZZ	Double Seal Ball Bearing (1/4T,1/2T,1T)	6007-2z	1
	BB-6009ZZ	Double Seal Ball Bearing (2T,3T,5T)	6009-2z	1
39	VOLT-100-03P-39	Motor Junction Collar (1/4T,1/2T,1T)		1
	VOLT-300-03P-39	Motor Junction Collar (2T,3T,5T)		1
	VOLT-050-13P-MAG	Motor Assembly 1/4T,1/2T (includes #40 thru 50)	230V	1
	VOLT-050-03P-MAG	Motor Assembly 1/4T,1/2T (includes #40 thru 50)	460V	1
	VOLT-100-13P-MAG	Motor Assembly 1T (includes #40 thru 50)	230V	1
	VOLT-100-03P-MAG	Motor Assembly 1T (includes #40 thru 50)	460V	1
	VOLT-300-13P-MAG	Motor Assembly 2T,3T,5T,10T (includes #40 thru 50)	230V	1
	VOLT-300-03P-MAG	Motor Assembly 2T,3T,5T,10T (includes #40 thru 50)	460V	1
40	VOLT-050-13P-40G	Stator (1/4T,1/2T)	230V	1
	VOLT-050-03P-40G	Stator (1/4T,1/2T)	460V	1
	VOLT-100-13P-40G	Stator (1T)	230V	1
	VOLT-100-03P-40G	Stator (1T)	460V	1
	VOLT-300-13P-40G	Stator (2T,3T,5T)	230V	1
	VOLT-300-03P-40G	Stator (2T,3T,5T)	460V	1
41	VOLT-050-03P-41	Rotor (1/4T,1/2T)		1
	VOLT-100-03P-41	Rotor (1T)		1
	VOLT-300-03P-41	Rotor (2T,3T,5T)		1
42	VOLT-050-03P-42G	Motor Stay Bolt (1/4T,1/2T)		4
	VOLT-100-03P-42G	Motor Stay Bolt (1T)		4
43	BB-6004ZZ	Double Seal Ball Bearing (1/4T,1/2T,1T)	6004-2z	1
	BB-6205ZZ	Double Seal Ball Bearing (2T,3T,5T)	6205-2z	1
44	VOLT-100-03P-44	Motor Rear Cover (1/4T,1/2T,1T)		1
	VOLT-300-03P-44	Motor Rear Cover (2T,3T,5T)		1
45	TS-1503051	Socket Head Cap Screw (1/4T,1/2T,1T)	M6x20	4
	TS-1505031	Socket Head Cap Screw (2T,3T,5T)	M10x25	4
46	VOLT-025-03P-46	Brake Assembly (1/4T,1/2T)	8 Nm	1
	VOLT-100-03P-46	Brake Assembly (1T)	20 Nm	1
	VOLT-300-03P-46	Brake Assembly (2T,3T,5T)	40 Nm	1

Index No.	Part No.	Description	Size	Qty
46-1	VOLT-025-03P-461	Friction Disc (1/4T,1/2T,1T)		1
	VOLT-300-03P-461	Friction Disc (2T,3T,5T)		1
46-2	VOLT-025-03P-462	Key (1/4T,1/2T,1T)		1
	VOLT-300-03P-462	Key (2T,3T,5T)		1
46-3	VOLT-025-03P-463	Spline Drive (1/4T,1/2T,1T)		1
	VOLT-300-03P-463	Spline Drive (2T,3T,5T)		1
46-4	VOLT-025-03P-464	Retainer Ring (1/4T,1/2T,1T)		1
	VOLT-300-03P-464	Retainer Ring (2T,3T,5T)		1
46-5	VOLT-025-03P-465	Electromagnetic Disc (1/4T)	8 Nm	1
	VOLT-050-03P-465	Electromagnetic Disc (1/2T,1T)	20 Nm	1
	VOLT-300-03P-465	Electromagnetic Disc (2T,3T,5T)	40 Nm	1
47	VOLT-100-03P-47	Flat Key (1/4T,1/2T,1T)	5x14mm	1
48	VOLT-100-03P-48	Cooling Fan (1/4T,1/2T,1T)		1
	VOLT-300-03P-48	Cooling Fan (2T,3T,5T)		1
49	VOLT-100-03P-49	Collar (1/4T,1/2T,1T)		1
50	VOLT-100-03P-50	Stop Ring	Ø15mm	1
	VOLT-300-03P-50	Stop Ring	Ø30mm	1
51	VOLT-100-03P-51	Motor Rear Cover (1/4T,1/2T,1T)		1
	VOLT-300-03P-51	Motor Rear Cover (2T,3T,5T)		1
52	F005367	Socket Head Cap Screw (1/4T,1/2T,1T)	M5x25	4
	F005370	Socket Head Cap Screw (2T,3T,5T)	M5x40	4
53	VOLT-025-03P-53	Chain Guide (1/4T)		1
	VOLT-050-03P-53	Chain Guide (1/2T)		1
	VOLT-100-03P-53	Chain Guide (1T)		1
	VOLT-300-03P-53	Chain Guide (2T,3T,5T)		1
54	TS-1533042	Phillips Pan Hd Mach Screw (1/4T,1/2T,1T)	M5x12	4
	TS-1534042	Phillips Pan Hd Mach Screw (2T,3T,5T)	M6x12	4
55	VOLT-025-03P-55	Chain Guide Block (1/4T)		1
	VOLT-050-03P-55	Chain Guide Block (1/2T)		1
	VOLT-100-03P-55	Chain Guide Block (1T)		1
	VOLT-300-03P-55	Chain Guide Block (2T,3T,5T)		1
56	TS-1503071	Socket Head Cap Screw (1/4T,1/2T,1T)	M6x30	4
	TS-1504061	Socket Head Cap Screw (2T,3T,5T)	M8x30	4
57	VOLT-100-03P-57	Socket Head Cap Screw (1/4T,1/2T,1T)	M5x14	6
	TS-1503041	Socket Head Cap Screw (2T,3T,5T)	M6x16	7
58	VOLT-100-03P-58	Fixing Plate (1/4T,1/2T,1T)		2
	VOLT-300-03P-58	Fixing Plate (2T,3T,5T)		2
59	TS-1503141	Socket Head Cap Screw (1/4T,1/2T,1T)	M6x70	1
	VOLT-300-03P-59	Socket Head Cap Screw (2T,3T,5T)	M8x80	1
60	TS-1504091	Socket Head Cap Screw (1/4T,1/2T,1T)	M8x45	1
	TS-1504131	Socket Head Cap Screw (2T,3T,5T)	M8x70	1
61	VOLT-100-03P-61	Limit Switch Block (1/4T~5T)		1
62	VOLT-100-03P-62	Limit Switch Housing (1/4T~5T)		1
63	VOLT-100-03P-63	Limit Switch (1/4T~5T)		2
64	VOLT-025-03P-64	Limit Plate (1/4T)		1
	VOLT-050-03P-64	Limit Plate (1/2T)		1
	VOLT-100-03P-64	Limit Plate (1T)		1
	VOLT-300-03P-64	Limit Plate (2T,3T,5T)		1
65	VOLT-025-03P-65	Limit Block (1/4T)		2
	VOLT-050-03P-65	Limit Block (1/2T)		2
	VOLT-100-03P-65	Limit Block (1T)		2
	VOLT-300-03P-65	Limit Block (2T,3T,5T)		2
66	F005366	Socket Head Cap Screw (1/4T~5T)	M5x20	2
67	VOLT-025-03P-67	Bottom Hook Assembly (1/4T)		1
	VOLT-050-03P-67	Bottom Hook Assembly (1/2T)		1
	VOLT-100-03P-67	Bottom Hook Assembly (1T)		1
	VOLT-300-03P-67	Bottom Hook Assembly (2T,3T)		1
	VOLT-500-03P-67	Bottom Hook Assembly (5T)		1
68	VOLT-025-03P-68	Limit Spring (1/4T)		2
	VOLT-050-03P-68	Limit Spring (1/2T)		2
	VOLT-100-03P-68	Limit Spring (1T)		2
	VOLT-200-03P-68	Limit Spring (2T,3T,5T)		2

Index No.	Part No.	Description	Size	Qty
69	TS-1502041	Socket Head Cap Screw (1/4T,1/2T,1T)	M5x16	2
	TS-1503041	Socket Head Cap Screw (2T,3T,5T)	M6x16	2
70	VOLT-025-03P-70	Chain Stop (1/4T)(Set of 2 pcs)		1
	VOLT-050-03P-70	Chain Stop (1/2T)(Set of 2 pcs)		1
	VOLT-100-03P-70	Chain Stop (1T)(Set of 2 pcs)		1
	VOLT-300-03P-70	Chain Stop (2T,3T,5T)(Set of 2 pcs)		1
71	VOLT-025-03P-71	Load Chain (1/4T)	5x15mm	per ft.
	VOLT-050-03P-71	Load Chain (1/2T)	6.3x19mm	per ft.
	VOLT-100-03P-71	Load Chain (1T)	8x24mm	per ft.
	VOLT-300-03P-71	Load Chain (2T,3T,5T,10T)	11.2x34mm	per ft.
72	(refer to Table 8)	Canvas Chain Container		1
73	VOLT-100-03P-73	O-Ring (1/4T~5T)	Ø12mm	2
74	VOLT-100-03P-74	Oil Plug (1/4T~5T)		2
75	BB-6009ZZ	Double Seal Ball Bearing (1/4T,1/2T,1T)	6009-2z	1
	VOLT-300-03P-75	Double Seal Ball Bearing (2T,3T,5T)	6212-2z	1
76	VOLT-100-03P-76	U-Packing (1/4T,1/2T,1T)	35x22x7mm	1
	VOLT-300-03P-76	U-Packing (2T,3T,5T)	45x28x7mm	1
77	VOLT-025-03P-77	Chain Sheave (1/4T)		1
	VOLT-050-03P-77	Chain Sheave (1/2T)		1
	VOLT-100-03P-77	Chain Sheave (1T)		1
	VOLT-300-03P-77	Chain Sheave (2T,3T,5T)		1
78	VOLT-100-03P-78	U-Packing (1/4T,1/2T,1T)	62x45x8mm	1
	VOLT-300-03P-78	U-Packing (2T,3T,5T)	80x60x8mm	1
79	BB-6007	Ball Bearing (1/4T,1/2T,1T)	6007	1
	VOLT-300-03P-79	Ball Bearing (2T,3T,5T)	NJ1010	1
80	VOLT-100-03P-80	Retainer Ring (1/4T,1/2T,1T)	Ø62mm	1
	VOLT-300-03P-80	Retainer Ring (2T,3T,5T)	Ø80mm	1
81	VOLT-100-03P-81	Bearing Bracket (1/2T,1T)		1
82	VOLT-050-03P-82	Spline Gear (1/4T,1/2T)		1
	VOLT-100-03P-82	Spline Gear (1T)		1
	VOLT-300-03P-82	Spline Gear (2T,3T,5T)		1
83	VOLT-100-03P-83	Ball Bearing (1/2T,1T)	6203N	1
84	VOLT-100-03P-84	Stop Ring (1/4T,1/2T,1T)	Ø35mm	1
	VOLT-300-03P-84	Stop Ring (2T,3T,5T)	Ø50mm	1
85	VOLT-100-03P-85	Gear Shaft Assembly (1/2T,1T)		1
86	BB-6001	Ball Bearing (1/2T,1T)	6001	1
87	VOLT-025-03P-87	Small Gear Shaft 1(1/4T)		1
	VOLT-100-03P-87	Small Gear Shaft 1 (1/2T,1T)		1
	VOLT-300-03P-87	Small Gear Shaft 1(2T,3T,5T)		1
88	VOLT-100-03P-88	Cable Holder (1/4T,1/2T,1T)		1
	VOLT-300-03P-88	Eyebolt Cable Holder (2T,3T,5T)		1
89	TS-1502031	Socket Head Cap Screw (1/4T,1/2T,1T)	M5x12	2
90	BB-6301	Ball Bearing (1/4T,1/2T,1T)	6301	1
	BB-6303	Ball Bearing (2T,3T,5T)	6303	1
91	VOLT-100-03P-91	Hinge 1 (1/4T,1/2T,1T)		1
	VOLT-300-03P-91	Hinge 1 (2T,3T,5T)		1
92	F005365	Socket Head Cap Screw (1/4T,1/2T,1T)	M5x14	4
93	VOLT-100-03P-93	Female Connector Board (1/4T,1/2T,1T)		1
94	VOLT-100-03P-94	Female Connector for Pushbutton Cord (1/4T~5T)	YD28J7Z	1
95	VOLT-100-03P-95	Phillips Pan Hd Mach Screw (1/4T~5T)	M3x14	8
96	VOLT-100-03P-96	Female Connector for Power Cord (1/4T~5T)	YD32J4Z	1
97	TS-1502031	Socket Head Cap Screw (1/4T,1/2T,1T)	M5x12	2
	TS-1503071	Socket Head Cap Screw (2T,3T,5T)	M6x30	2
98	TS-1503041	Socket Head Cap Screw (1/4T~5T)	M6x16	2
99	VOLT-100-03P-99	Hinge 2 (1/4T,1/2T,1T)		1
	VOLT-300-03P-99	Hinge 2 (2T,3T,5T)		1
100	TS-1532042	Phillips Pan Hd Mach Screw (1/4T~5T)	M4x12	2
101	VOLT-100-03P-101	Relay (1/4T~5T)		1
102	TS-1532042	Phillips Pan Hd Mach Screw (1/4T~5T)	M4x12	2
103	TS-1503051	Socket Head Cap Screw (1/4T,1/2T,1T)	M6x20	4
	TS-1503051	Socket Head Cap Screw (2T,3T,5T)	M6x20	2

Index No.	Part No.	Description	Size	Qty
104	VOLT-050-03P-104	Ballast Weight (1/4T,1/2T)		1
	VOLT-100-03P-104	Ballast Weight (1T)		1
	VOLT-300-03P-104	Ballast Weight (2T,3T,5T)		1
105	VOLT-025-03P-105	Name Plate (1/4T,1/2T,1T)		1
	VOLT-200-03P-105	Name Plate (2T,3T,5T)		1
106	VOLT-300-03P-106	Ring Stay Bolt (2T,3T,5T)		1
107	VOLT-300-03P-107	Resistor Bracket (2T,3T,5T)		1
108	TS-1503051	Socket Head Cap Screw (2T,3T,5T)	M6x20	3
109	TS-1503051	Socket Head Cap Screw (2T,3T,5T)	M6x20	2
110	VOLT-300-03P-110	Inverter Bracket (2T,3T,5T)		1
111	VOLT-300-03P-111	Block (2T,3T,5T)		1
112	VOLT-300-03P-112	Bracket (2T,3T,5T)		1
113	TS-1503051	Socket Head Cap Screw (2T,3T,5T)	M6x20	4
114	162210	Pushbutton Control Assembly (1/4T~5T)	10ft	1
	162215	Pushbutton Control Assembly (1/4T~5T)	15ft	1
	162220	Pushbutton Control Assembly (1/4T~5T)	20ft	1
	162230	Pushbutton Control Assembly (1/4T~5T)	30ft	1
115	VOLT-100-03P-115	Power Cord Assembly (2T,3T,5T)	3x2.5/1x1mm <sup>2</sup> (>5A)	1
	VOLT-100-13P-115	Power Cord Assembly (1/4T,1/2T,1T)	3x1.5/1x1mm <sup>2</sup> (<5A)	1
116	VOLT-116	Pushbutton Cord		per ft.
	VOLT-100-13P-WL	Warning Label (not shown)	74 x 102mm	1
	VOLT-100-13P-WT	Pendant Warning Tag (not shown)	60 x 127mm	1
	JET-92	JET Logo (1/4T,1/2T,1T) (not shown)	92 x 38mm	1
	JET-113	JET Logo (2T,3T,5T) (not shown)	113 x 47mm	1

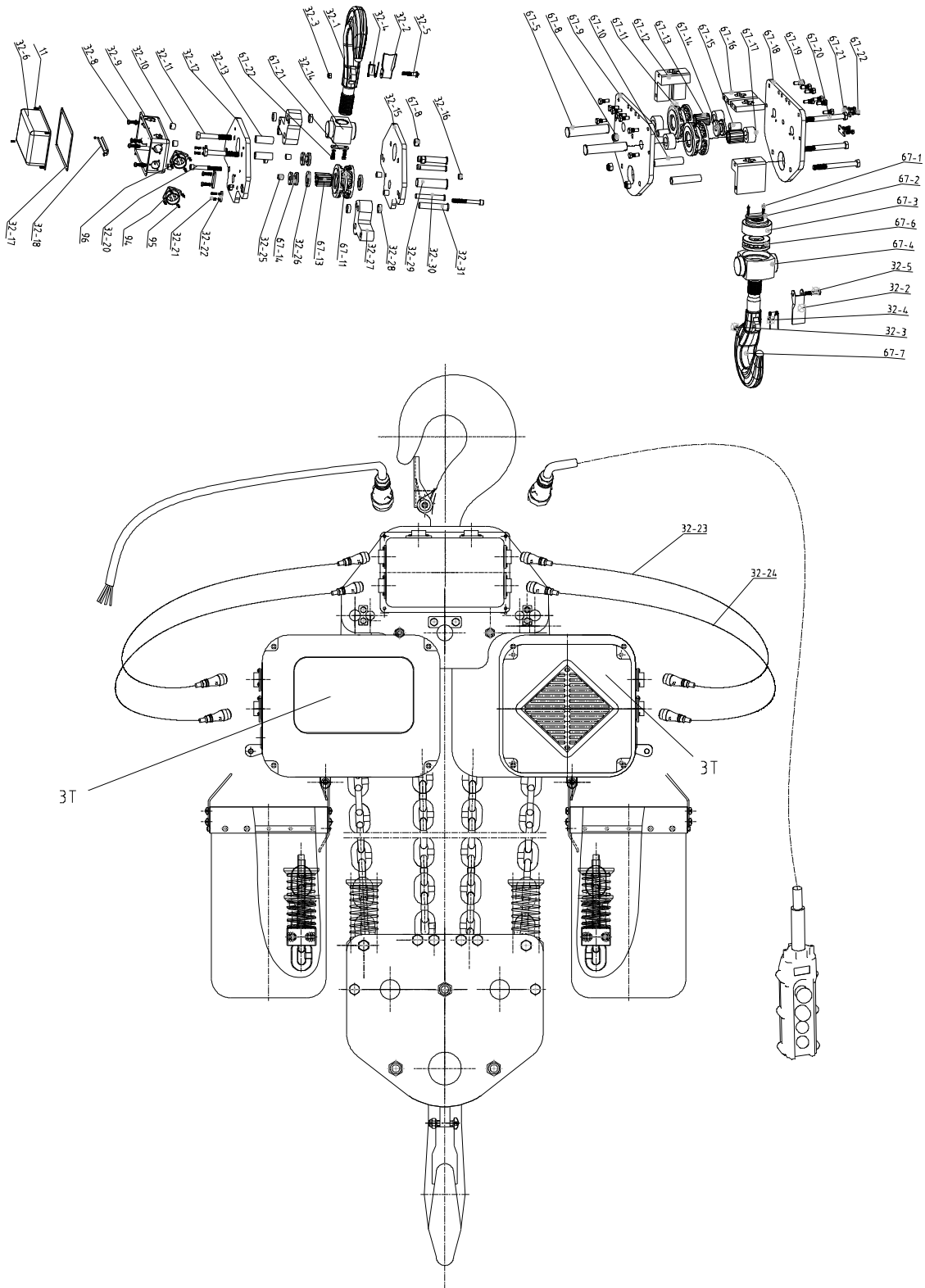
### 21.1.3 Parts List for Top & Bottom Hook Assemblies, 0.25T to 5T Hoists (VOLT)

Index No.	Part No.	Description	Size	Qty
32-1	VOLT-025-03P-32-1	Top Hook (1/4T)		1
	VOLT-050-03P-32-1	Top Hook (1/2T)		1
	VOLT-100-03P-32-1	Top Hook (1T)		1
	VOLT-300-03P-32-1	Top Hook (2T,3T)		1
	VOLT-500-03P-32-1	Top Hook (5T)		1
32-2	VOLT-025-03P-32-2	Safety Latch Assembly (1/4T) (includes #32-3,32-4,32-5)		1
	VOLT-050-03P-32-2	Safety Latch Assembly (1/2T) (includes #32-3,32-4,32-5)		1
	VOLT-100-03P-32-2	Safety Latch Assembly (1T) (includes #32-3,32-4,32-5)		1
	VOLT-300-03P-32-2	Safety Latch Assembly (2T,3T) (includes #32-3,32-4,32-5)		1
	VOLT-500-03P-32-2	Safety Latch Assembly (5T) (includes #32-3,32-4,32-5)		1
32-3	TS-1541021	Nylon Lock Hex Nut (1/4T,1/2T,1T)	M6	1
	TS-1541001	Nylon Lock Hex Nut (2T,3T,5T)	M4	1
32-4	VOLT-100-03P-32-4	Double Spring (1/4T,1/2T,1T)		1
	VOLT-300-03P-32-4	Double Spring (2T,3T)		1
	VOLT-500-03P-32-4	Double Spring (5T)		1
32-5	TS-1503071	Socket Head Cap Screw (1/4T,1/2T,1T)	M6x30	1
	TS-1501081	Socket Head Cap Screw (2T,3T,5T)	M4x30	1
32-6	VOLT-300-03P-32-6	HD Spring Pin (2T,3T)	Ø8x70mm	1
32-7	VOLT-500-03P-32-7	Stop Ring (5T)		2
32-8	VOLT-500-03P-32-8	Hook Shaft (5T)		1
32-9	VOLT-500-03P-32-9	Cotter Pin (5T)	Ø4x40mm	2
32-10	VOLT-500-03P-32-10	Top Hook Housing (5T)		1
32-11	VOLT-500-03P-32-11	Top Hook Pin (5T)		1
67-1	F005384	Socket Head Cap Screw (1/4T)	M6x25	2
	F005404	Socket Head Cap Screw (1/2T)	M8x25	2
	F005405	Socket Head Cap Screw (1T)	M8x30	2
	F005455	Socket Head Cap Screw (2T,3T,5T)	M12x45	2
67-2	VOLT-025-03P-67-2	Bottom Hook Housing (1/4T)		2
	VOLT-050-03P-67-2	Bottom Hook Housing (1/2T)		2
	VOLT-100-03P-67-2	Bottom Hook Housing (1T)		2
	VOLT-300-03P-67-2	Bottom Hook Housing (2T,3T)		2
	VOLT-500-03P-67-2	Bottom Hook Housing (5T)		2
67-3	TS-1541021	Nylon Lock Hex Nut (1/4T)	M6	2
	TS-1541031	Nylon Lock Hex Nut (1/2T,1T)	M8	2
	TS-2342121	Nylon Lock Hex Nut (2T,3T,5T)	M12	2
67-4	VOLT-025-03P-67-4	Bottom Hook Collar (1/4T)		1
	VOLT-050-03P-67-4	Bottom Hook Collar (1/2T)		1
	VOLT-100-03P-67-4	Bottom Hook Collar (1T)		1
	VOLT-300-03P-67-4	Bottom Hook Collar (2T,3T)		1
67-5	VOLT-025-03P-67-5	Bottom Hook Stop Ring (1/4T)		1
	VOLT-050-03P-67-5	Bottom Hook Stop Ring (1/2T)		1
	VOLT-100-03P-67-5	Bottom Hook Stop Ring (1T)		1
	VOLT-300-03P-67-5	Bottom Hook Stop Ring (2T,3T)		1
	VOLT-500-03P-67-5	Bottom Hook Stop Ring (5T)		1
67-6	BB-51102	Thrust Ball Bearing (1/4T)	51102	1
	BB-51103	Thrust Ball Bearing (1/2T)	51103	1
	BB-51104	Thrust Ball Bearing (1T)	51104	1
	BB-51106	Thrust Ball Bearing (2T,3T)	51106	1
	BB-51107	Thrust Ball Bearing (5T)	51307	1
67-7	VOLT-025-03P-67-7	Bottom Hook (1/4T)		1
	VOLT-050-03P-67-7	Bottom Hook (1/2T)		1
	VOLT-100-03P-67-7	Bottom Hook (1T)		1
	VOLT-300-03P-67-7	Bottom Hook (2T,3T)		1
	VOLT-500-03P-67-7	Bottom Hook (5T)		1
67-8	VOLT-500-03P-67-8	Sheave (5T)		1
67-9	VOLT-500-03P-67-9	Roller (5T)		20
67-10	VOLT-500-03P-67-10	Sheave Shaft (5T)		1
67-11	VOLT-500-03P-67-11	Washer (5T)		2



## 21.2.1 Exploded View for 10-Ton Hoist (VOLT series)

**Note:** The 10-Ton hoist consists of two hoist bodies which are also used on the 3- and 5-Ton models; consult the parts list and breakdown for the 3-Ton model. Top and Bottom Hook Assemblies for the 10-Ton are listed on the following pages.



## 21.2.2 Parts List for Top and Bottom Hook Assemblies, 10-Ton Hoist (VOLT series)

Index No.	Part No.	Description	Size	Qty
32-1	VOLT-1000-03P-32-1	Top Hook		1
32-2	VOLT-1000-03P-32-2	Safety Latch Assembly (includes #32-3,32-4,32-5)		1
32-3	TS-1541041	Nylon Lock Hex Nut	M10	1
32-4	VOLT-1000-03P-32-4	Double Spring		1
32-5	TS-1505081	Socket Head Cap Screw	M10x50	1
32-6	VOLT-1000-03P-32-6	Electrical Box 1		1
32-8	VOLT-1000-03P-32-8	Phillips Pan Hd Mach Screw	M8x35	4
32-9	VOLT-1000-03P-32-9	Electrical Box 2		1
32-10	VOLT-1000-03P-3210	Washer		4
32-11	VOLT-1000-03P-3211	Hex Bolt	M16x120	2
32-12	VOLT-1000-03P-3212	Top Hook Left Side Plate		1
32-13	VOLT-1000-03P-3213	Spacer 6		2
32-14	VOLT-1000-03P-3214	Top Hook Beam		1
32-15	VOLT-1000-03P-3215	Top Hook Right Side Plate		1
32-16	TS-2342121	Nylon Lock Hex Nut	M12	2
32-17	VOLT-1000-03P-3217	Rubber Pad for Electrical Box		1
32-18	VOLT-1000-03P-3218	Wiring Board		1
32-20	VOLT-1000-03P-3220	Socket Head Cap Screw	M12x110	2
32-21	TS-1503051	Socket Head Cap Screw	M6x20	4
32-22	VOLT-1000-03P-3222	Position Plate 1		2
32-23	VOLT-1000-03P-3223	Connection Cable 1		2
32-24	VOLT-1000-03P-3224	Connection Cable 2		2
32-25	VOLT-1000-03P-3225	Spacer 5		4
32-26	VOLT-1000-03P-3226	Washer		2
32-27	VOLT-1000-03P-3227	Top Hook Housing		2
32-28	VOLT-1000-03P-3228	Spacer 7		4
32-29	VOLT-1000-03P-3229	Top Sheave Shaft		1
32-30	VOLT-1000-03P-3230	Pin 1		2
32-31	VOLT-1000-03P-3231	Pin 2		2
11	TS-1532042	Phillips Pan Hd Mach Screw	M4x12	12
94	VOLT-100-03P-94	Female Connector for Pushbutton Cord	YD28J7Z	3
95	VOLT-100-03P-95	Phillips Pan Hd Mach Screw	M3x14	24
96	VOLT-100-03P-96	Female Connector for Pushbutton Cord	YD32J4Z	3
67-8	TS-2342161	Nylon Lock Hex Nut	M16	2
67-11	VOLT-1000-03P-6711	Sheave		1
67-13	VOLT-1000-03P-6713	Roller		20
67-14	VOLT-1000-03P-6714	Guide Wheel		2
67-21	VOLT-1000-03P-6721	Position Plate 2		2
67-22	TS-1504041	Socket Head Cap Screw	M8x20	4
67-1	GB70-M6x14	Socket Head Cap Screw	M6x14	2
67-2	VOLT-1000-03P-67-2	Bottom Hook Locking Plate		1
67-3	VOLT-1000-03P-67-3	Bottom Hook Nut		1
67-4	VOLT-1000-03P-67-4	Bottom Hook Beam		1
67-5	VOLT-1000-03P-67-5	Bottom Sheave Shaft		2
67-6	BB-81210	Thrust Ball Bearing	81210	1
67-7	VOLT-1000-03P-67-7	Bottom Hook		1
67-8	TS-2342161	Nylon Lock Hex Nut	M16	3
67-9	VOLT-1000-03P-67-9	Bottom Hook Left Side Plate		1
67-10	VOLT-1000-03P-6710	Spacer 3		2
67-11	VOLT-1000-03P-6711	Sheave		2
67-12	VOLT-1000-03P-6712	Chain Guide Block		2
67-13	VOLT-1000-03P-6713	Roller		20
67-14	VOLT-1000-03P-6714	Guide Wheel		1
67-15	VOLT-1000-03P-6715	Spacer 4		4
67-16	VOLT-1000-03P-6716	Chain Guide Plate		2
67-17	VOLT-1000-03P-6717	Washer		4
67-18	VOLT-1000-03P-6718	Bottom Hook Right Side Plate		1

<b>Index No.</b>	<b>Part No.</b>	<b>Description</b>	<b>Size</b>	<b>Qty</b>
67-19	VOLT-1000-03P-6719	Fixing Bolt		16
67-20	VOLT-1000-03P-6720	Hex Bolt	M16x160	3
67-21	VOLT-1000-03P-6721	Position Plate 2		2
67-22	TS-1490031	Hex Cap Screw	M8x20	4
32-2	VOLT-1000-03P-32-2	Safety Latch Assembly (includes #32-3,32-4,32-5)		1
32-3	TS-1541041	Nylon Lock Hex Nut	M10	1
32-4	VOLT-1000-03P-32-4	Double Spring		1
32-5	TS-1505081	Socket Head Cap Screw	M10x50	1



427 New Sanford Road  
LaVergne, Tennessee 37086  
Phone: 800-274-6848  
[www.jettools.com](http://www.jettools.com)