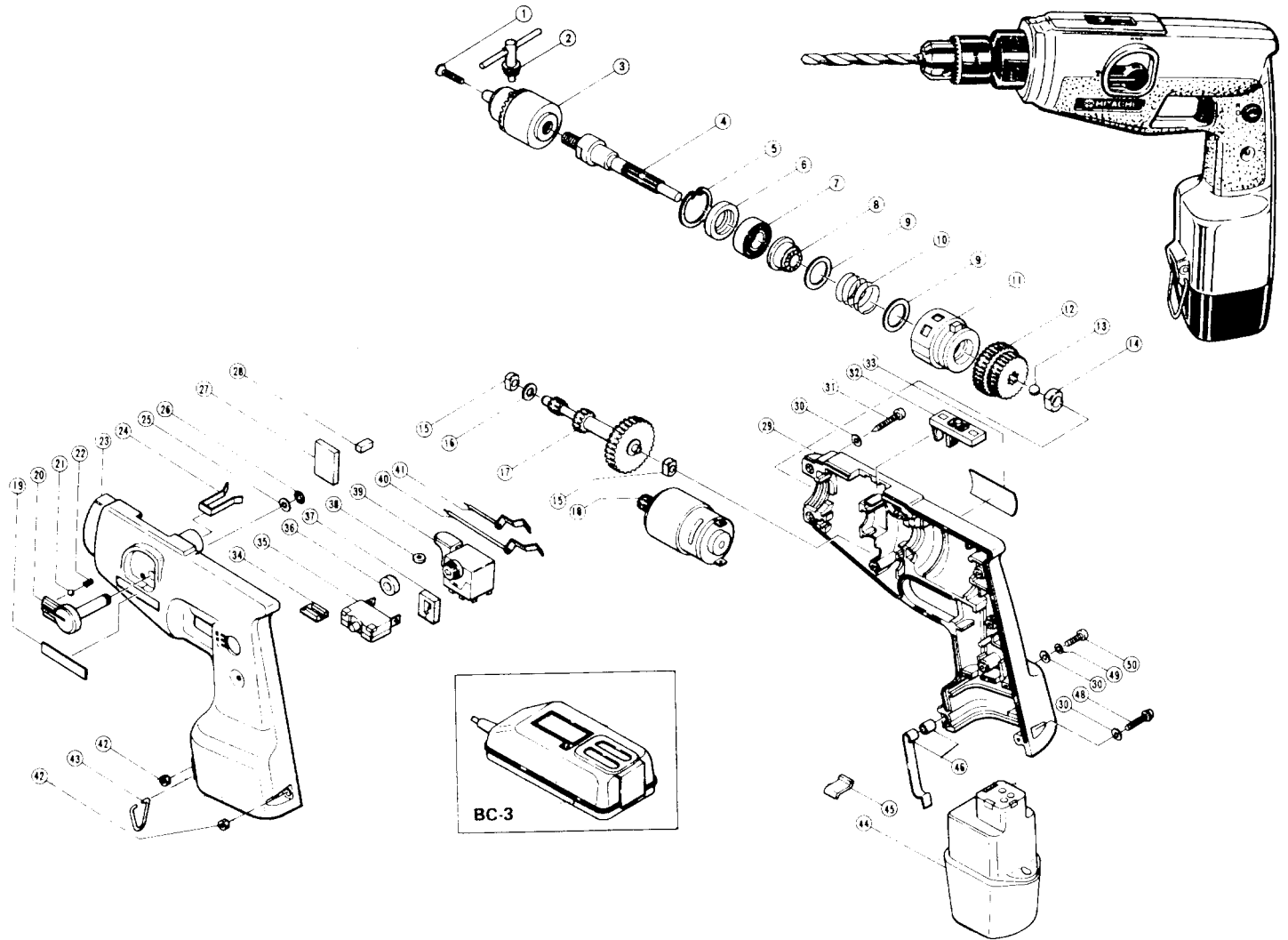


HITACHI CORDLESS HAMMER DRILL Model VTC-10



ITEM NO.	PART NO.	NO. USED	DESCRIPTION	SUPPLY Q'TY	ITEM NO.	PART NO.	NO. USED	DESCRIPTION	SUPPLY Q'TY
1	980836	1	Left Hand Flat Head Screw M5		25	982453	1	Washer	
2	980057	1	Chuck Handle		26	673489	1	Retaining Ring D5	
3	950292	1	Drill Chuck (old 950255)		27	980572	1	Cushion (A)	
4	982445	1	Spindle		29	982441	1	Use Item No. 23A	
5	948001	1	Retaining Ring D32		30	949423	8	Washer M4	10
6	971654	1	Dust Seal		31	956384	6	Tapping Screw M4x20	
7	6002DD	1	Ball Bearing 6002DDUCMPS2S		32	982455	1	Shift Knob	
8	982449	1	Ratchet (B)		33	-	1	Name Plate	
10	982450	1	Spring (A)		34	982462	2	Packing till 2 / 87	
11	982448	1	Ratchet Holder		35	982460	1	Circuit Breaker	
12	982444	1	Gear		36	957097	1	Pushing Holder	
13	959154	1	Ball D5.55 (old 939277)	10	37	982457	1	Switch Seal	
14	982446	1	Metal 9x10		38	982461	1	Seal	
15	997752	2	Metal		39	982456	1	Switch	
16	949425	1	Washer M6	10	40	982458	1	Terminal	
17	982443	1	Second Pinion		41	982459	1	Terminal	
18	992740	1	Motor		42	949554	2	Nut M4	10
19	950565	1	HITACHI Label		43	980838	1	Hook	
20	982452	1	Change Lever		44	982467Z	1	Battery	
21	959155	1	Ball D3.96	10	45	982466	1	Holder Spring	
22	982454	1	Spring (C)		46	980581	1	Battery Case Holder	
23	982440	1	Use Item No. 23A		48	949219	1	Machine Screw M4x16	10
23 A	992748	1	Housing Set		49	949453	1	Spring Washer M4	10
24	980837	1	Key Holder		50	949223	1	Machine Screw M4x25	10