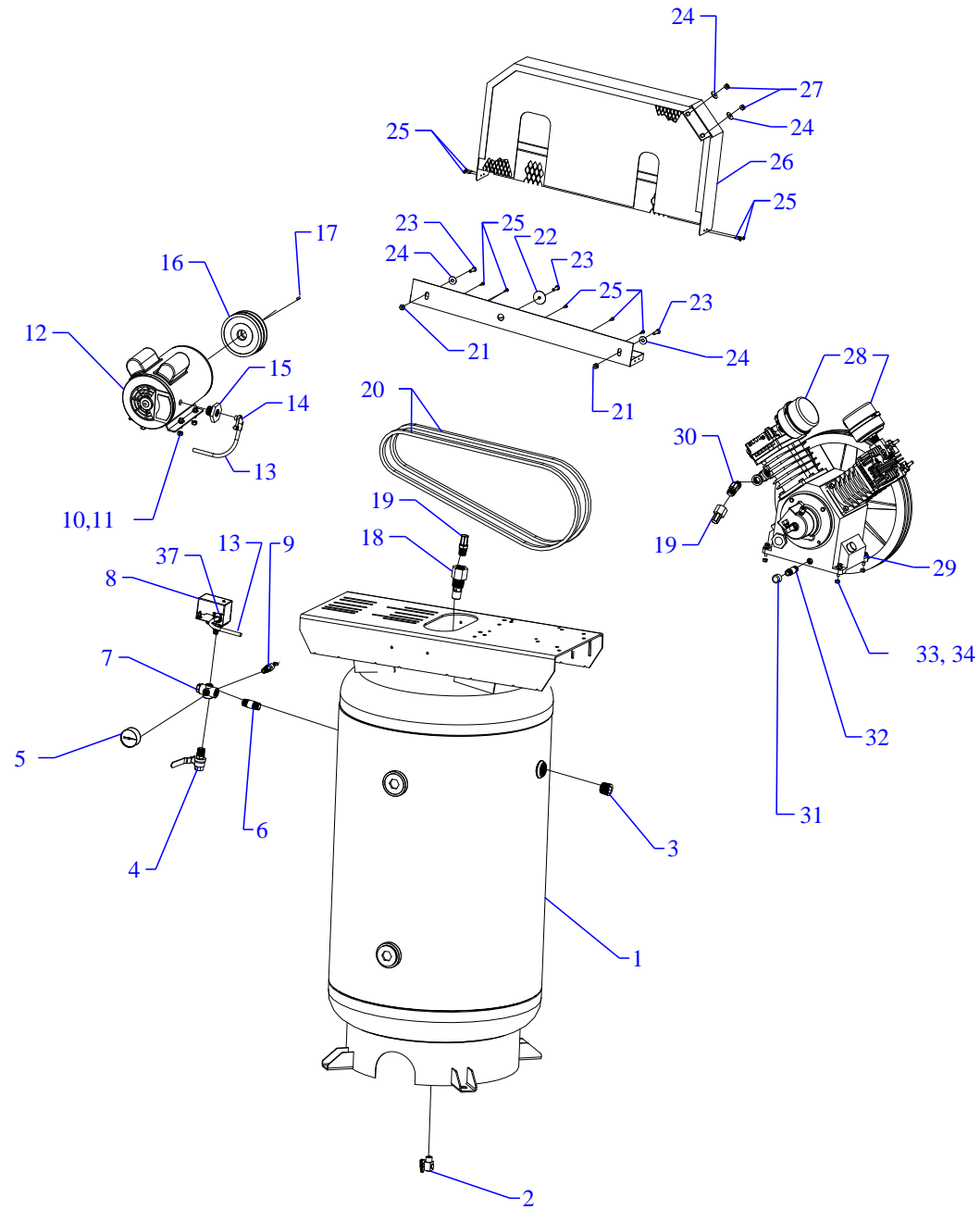


# MODEL W3B - 80V



## Parts List for Model W3B-80 Vertical Single & Three Phase

NOTE: The quantity number indicates the total number of pieces required for a complete unit repair.

When ordering parts give compressor model, serial number and part number. Order assemblies when possible.

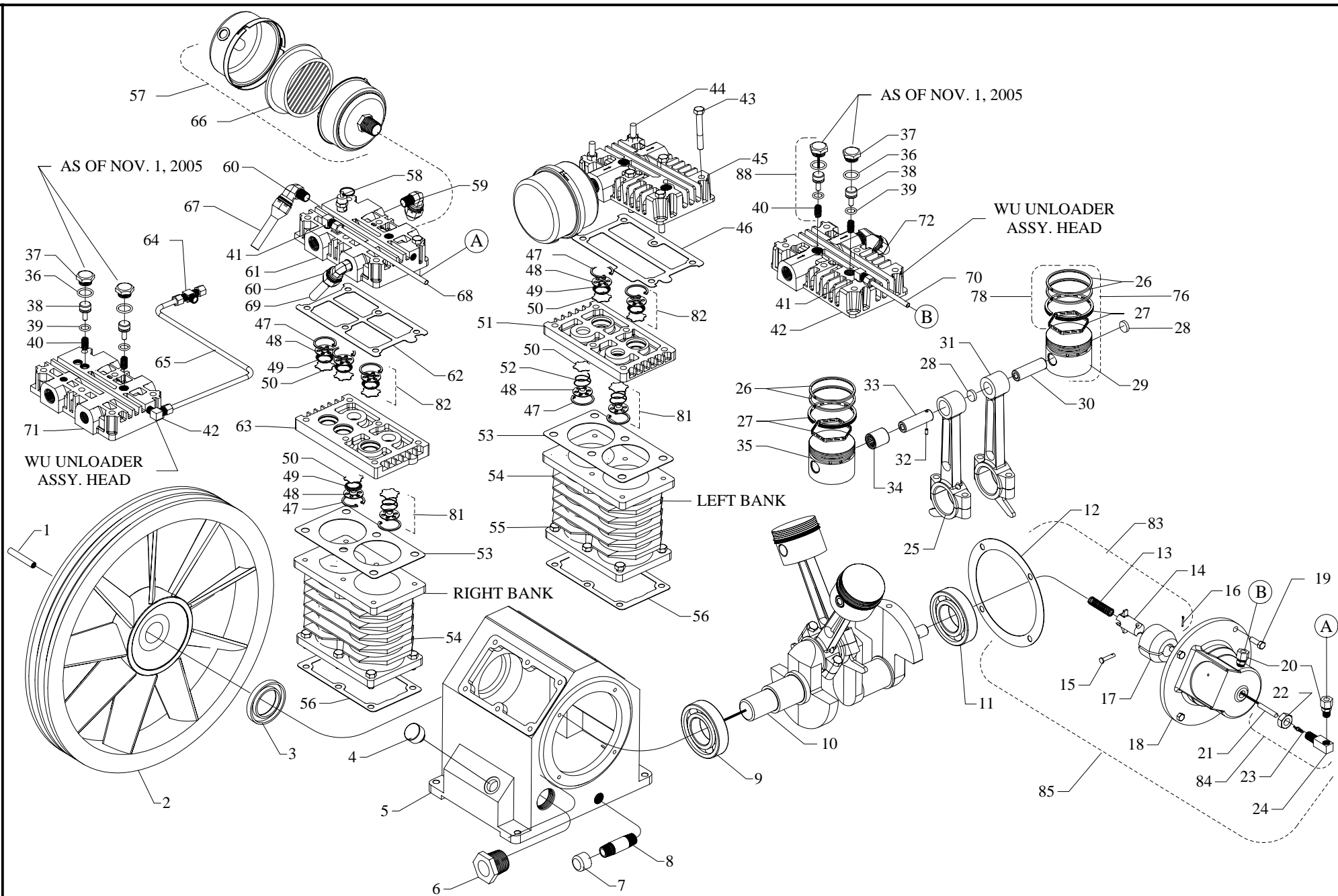
<u>REF. NO.</u>	<u>PART NO.</u>	<u>DESCRIPTION</u>	<u>QTY.</u>
1	411-1083	TANK,VERTCL,80G,UNB,G&GC&GT&W&J&U,V80U-1	1
2	141-1077	VALVE,BALL,LEVER,1/4 TURN,1/4"M X 1/4"F	1
3	122-1049	PLUG,HEX HEAD,STEEL,BLK,1" NPT	1
4	141-1078	VALVE,BALL,OUTLET,1/4 TURN,1/2"M X 1/2"F	1
5	142-1001	GAUGE,PSI,300#,BK MT,JENNY,2", 1/4NPT,PG3	1
6	122-1088	NIPPLE,STEEL,SCH 80,PLATED,1/2" X 2"	1
7	220-1059	BLOCK,MANIFOLD,AL,5 PORT,SPRINKLER,MC-5S	1
8	140-1072	SWITCH,PSI,2HP,115-175#,PB	1
9	141-1011	VALVE,SAFETY,ASME,1/4",200 PSI,SVU200	1
10	120-1018	SCREW,FLANGE,HEX,SERR,ST,PLD,5/16-18X3/4	4
11	120-1119	NUT,LOCK,FLANGE,HEX,SERR,ST,PLTD,5/16-18	4
12	130-1104	MOTOR,3HP,230/60/1,3600RPM,ODP	1
12*	130-1023	MOTOR,3HP,200/60/1,1760RPM,ODP	1
12**	130-1025	MOTOR,3HP,230-460/60/3,1725RPM,ODP	1
12***	130-1024	MOTOR,3HP,200/60/3,1725 RPM	1
13	123-1003	WIRE,ASSY,BX,14/2,WITH GROUND	2FT
14	123-1034	CONNECTOR,CABLE,ARMORED,90 DEG,1/2"	1
15	122-1071	BUSHING,REDUCER,HEX,ST,PLTD,3/4" X 1/2"N	1
16	154-1044	PULLEY,CI,DG,4.0PDA,1-1/8ID,2AK44 X1-1/8	1
17	120-1108	KEY,STEEL,BLACK,3/16X3/16X 1-1/2" LENGTH	1
18	141-1037	VALVE,CHECK,INSERT,1"M X 3/4", 134	1
19	360-1401	AFTERCOOLER,HOSE,SS,TEFLON,3/4"ODX12"L	1
20	154-4L700	BELT,VEE,A68,4L-700	2
21	120-1116	NUT,LOCK,FLANGE,HEX,SERR,ST,PLTD,1/4-20	2
22	120-1072	WASHER,FENDER,ST,PLATED,1/4"X1-1/2"OD	1

## Parts List for Model W3B-80 Vertical Single & Three Phase

NOTE: The quantity number indicates the total number of pieces required for a complete unit repair.

When ordering parts give compressor model, serial number and part number. Order assemblies when possible.

<u>REF. NO.</u>	<u>PART NO.</u>	<u>DESCRIPTION</u>	<u>QTY.</u>
23	120-1267	SCREW,PAN HD,PHIL,STEEL,PLTD,1/4-20 X 1"	3
24	120-1075	WASHER,FLAT,STEEL,PLATED,5/16"	4
25	120-1177	SCREW,SELF DRILL,HEX,ST,PL,12 X 3/4	9
26	320-1181	BELTGUARD,J&W,W/PAN,4.13WX18.0HX32.25LG	1
27	120-1119	NUT,LOCK,FLANGE,HEX,SERR,ST,PLTD,5/16-18	2
28	320-1121	FILTER,W/DECALS,ASSY,G154S	2
29	421-1501	PUMP,CMPSR,PISTON,REPLCMT,BLUE,W	1
30	121-1109	ELBOW,BRASS,MALE,45DEG,3/4-45SAEX1/2"NPT	1
31	122-1084	CAP,FEMALE,MI,3/8"NPT	1
32	122-1037	NIPPLE,STEEL,SCH 40,3/8" X 2" L	1
33	120-1220	SCREW,CAP,HEXHD,GR5,ST,PLD,1/4-20X1-3/4	4
34	120-1116	NUT,LOCK,FLANGE,HEX,SERR,ST,PLTD,1/4-20	4
NOT SHOWN	610-1225	KIT,ELEMENT,FILTER,G54E,PKG OF 4,G54EP	1
NOT SHOWN	105-1209	OIL,PUMP,SYNTHETIC,BLUE,1 QUART,ESQ	1
NOT SHOWN	330-1023	MAG STRT,25A 3P 460V,SVC RPLM,MGSA-3-460	1
OPTIONAL	140-1028-E44	OVERLOAD,HEATER,STARTER,MAGNETIC,E44	3
NOT SHOWN	330-1022	MAG STR,25A,3P,200/208/230V,MGSA-3-230	1
OPTIONAL	140-1028-E55	OVERLOAD,HEATER,STARTER,MAGNETIC,E55	3
NOT SHOWN	330-1013	STARTER,1P,30A,230V,ASSY,SVC,FMGSC-1-230	1
OPTIONAL	140-1028-E54	OVERLOAD,HEATER,STARTER,MAGNETIC,E54	1



MODEL W & WU  
Four Cylinder Two Stage  
2-1/2 (3) -2-1/2 Bore X 3-1/4 Stroke

## Parts List for Model W & WU

NOTE: The quantity number indicates the total number of pieces required for a complete pump repair.  
When ordering parts give compressor model, serial number and part number. Order assemblies when possible.

<u>REF. NO.</u>	<u>PART NO.</u>	<u>DESCRIPTION</u>	<u>QTY.</u>
1	120-1166	PIN,FLYWHEEL, STL, 5/16 ODX 1-1/4 L, W25	1 EA
2	220-1094	FLYWHEEL,W PUMP,CI,16"DIA,2 GROOVE,W23A	1 EA
3	150-1038	SEAL,OIL,LIP,SINGLE,1.575 DIA,W11	1 EA
4	610-1051	PLUG,FILL,OIL,W/O-RING&DIPSTICK,ASSY,W14	2 EA
5	220-1036	CRANKCASE,W PUMP,CI,MACHINED,W1	1 EA
6	360-1114	SIGHT GLASS 1" INSTALLED LOW	1 EA
7	122-1084	CAP,FEMALE,MI,3/8"NPT	1 EA
8	122-1037	NIPPLE,STEEL,SCH 40,3/8" X 2" L	1 EA
9	150-1031	BEARING,BALL,W9	1 EA
10	220-1038	CRANKSHAFT,W PUMP,CI,MACHINED,W20	1 EA
11	150-1032	BEARING,BALL,W10	1 EA
12	104-1014	GASKET,CAP,BEARING,W PUMP,1/32THK,W3	1 EA
13	150-1081	COIL SPRING C/U UNLOADER ZN	1 EA
14	220-1049	TUBE,OPERATING,CENTRIFICAL UNLOADER,EQ71	1 EA
15	120-1169	PIN,COTTER,ST,BLACK,1\16DIA X 1\2LG,EQ73B	1 EA
16	610-1066	PIN,PIVOT,UNLDR,CNTRFCL,W/CTTR PIN,EQ73	1 EA
17	610-1167	UNLOADER,CENTRIFUGAL,WEIGHT,SET,EQ70	1 EA
18	220-1037	CAP,BEARING,W PUMP,CI,MACHINED,W2	1 EA
19	120-1002	SCREW,CAP,HEXHD,GR5,ST,BLK,1/4-20X5/8 ( 15 FT - LB.	4 EA
20	121-1025	CONNECTOR,MALE,COMPRESSION,BR,1/4TBX1/8"	2 EA
21	220-1050	PIN,UNLOADER,CENTRIFICAL,EQ74D	1 EA
22	120-1171	NUT,HEX,JAM,STEEL,PLATED,7/16-20,EQ74C	1 EA
23	120-1170	VALVE,CORE,EQ74A	1 EA

## Parts List for Model W & WU

NOTE: The quantity number indicates the total number of pieces required for a complete pump repair.  
When ordering parts give compressor model, serial number and part number. Order assemblies when possible.

<u>REF. NO.</u>	<u>PART NO.</u>	<u>DESCRIPTION</u>	<u>QTY.</u>
24	150-1035	BODY,UNLOADER,EQ74B	1 EA
25	310-1012	ROD,CONNECTING,AL,HIGH PRESSURE,W21W	1 EA
26	150-1003	RING,COMPRESSION,PISTON,STEEL,EBA 22,K33	8 EA
27	610-1065	KIT,RING,OIL,W/EXPANDER,ASSY,K34	4 EA
28	104-1103	BUMPER,WRIST PIN,PLASTIC,K36A	6 EA
29	220-1005	PISTON,PUMP,ALUMINUM,MACHINED,K32	3 EA
30	150-1005	PIN,PISTON,STEEL,HARDENED,K35	3 EA
31	310-1007	ROD,CONNECTING,PUMP,ALUM,MACHINED,W21	3 EA
32	120-1165	PIN,ROLLED,STEEL,BLACK,1/8ODX5/16L,EQ37	1 EA
33	150-1039	PIN,PISTON,STEEL,EQ35	1 EA
34	150-1034	BEARING,NEEDLE,EQ38	1 EA
35	220-1042	PISTON,MACHINED,2 STAGE,K32W	1 EA
36	104-1015	RING,O,BUNA-N,1/2"IDX11/16"ODX3/32"THK	4 EA
37	122-1051	PLUG,HEX ,BRASS,11/16-16 UN-2B X .550	4 EA
38	150-1028	PISTON,UNLOADER,VALVE,CHECK,BRASS,KU81	4 EA
39	104-1020	RING,O,SILICON,7/16"IDX5/8"ODX3/32"THK	4 EA
40	150-1020	SPRING,VALVE,UNLOADER,INTAKE, KU83	4 EA
41	121-1032	ELBOW,MALE,COMPRESSION,BR,1/4TBX1/8"NPTM	3 EA
42	220-1016	HEAD,UNLOADING,G PUMP,CI,6HOLES,LU80	1 EA
43	120-1028	SCREW,CAP,HEXHD,GR5,ST,BLK,5/16-18X2-1/4(22FT-LB)	10 EA
44	120-1252	BOLT,STUD,HEX,ST,5/16-18X2-1/4X5/8,K52-1(22FT-LB)	2 EA
45	310-1004	HEAD,START/STOP,G PUMP,REPLACEMNT,L50 ( LEFT HEAD )	1 EA
46	104-1008	GASKET,HEAD,K&G&W PUMP,1/32THK,L51	1 EA

## Parts List for Model W & WU

NOTE: The quantity number indicates the total number of pieces required for a complete pump repair.  
When ordering parts give compressor model, serial number and part number. Order assemblies when possible.

<u>REF. NO.</u>	<u>PART NO.</u>	<u>DESCRIPTION</u>	<u>QTY.</u>
47	150-1041	RETAINER, VALVE, STEEL, PAS, 0.062" THK, K43	9 EA
48	109-1010	VALVE, CHECK, BUMPER, STEEL, K44	9 EA
49	150-1018	SPRING, CONE, SS, VALVE, DISCHARGE, K46	6 EA
50	109-1011	VALVE, DISC, STEEL, K47	9 EA
51	220-1013	PLATE, VALVE, L PUMP, CI, MACHINED, L40	1 EA
52	150-1017	SPRING, CONE, SS, VALVE, INTAKE, K45	3 EA
53	104-1007	GASKET, PLATE, VALVE, K&G&W PUMP, 1/32TK, L41	2 EA
54	360-1152	CYLINDER W30 REPLACEMENT BLUE W30	2 EA
55	120-1017	SCREW, CAP, HEXHD, GR5, ST, BLK, 5/16-18X3/4 ( 15 FT - LB. )	12 EA
56	104-1006	GASKET, CYLINDER, K&G&W PUMP, 1/32THK, K31	2 EA
57	320-1121	FILTER, W/DECALS, ASSY, G154S	2 EA
58	141-1006	VALVE, SAFETY, NON-CODE, 1/4", 65 PSI, SV65	1 EA
59	121-1013	ELBOW, MALE, BRASS, 1/2-45SAEX1/2"NPTM	2 EA
60	121-1015	ELBOW, MALE, BRASS, 5/8-45SAEX1/2"NPTM	1 EA
61	310-1022	HEAD, START/STOP, EQ PUMP ( RIGHT HEAD )	1 EA
62	104-1013	GASKET, HEAD, K&G&W PUMP, 1/32THK, EQ51	1 EA
63	220-1041	PLATE, VALVE, W PUMP, CI, MACHINED, W40	1 EA
64	121-1039	TEE, BRANCH, BRASS, 1/4"TBX1/4"TBX1/8"NPTM	1 EA
65	610-1136	TUBING, UNLOADER, HEAD-HEAD, W PUMP, WU88	1 EA
66	150-1104	ELEMENT, FILTER, AIR, (92 EMGLO), G54E	2 EA
67	610-1057	INTERCOOLER, FINNED, W/FLARE NUTS, ASY, EQ65	1 EA
68	610-1135	TUBE, UNLOADER, CENTRIFUGAL, W PUMP, CU, W78	1 EA

## Parts List for Model W & WU

NOTE: The quantity number indicates the total number of pieces required for a complete pump repair.  
When ordering parts give compressor model, serial number and part number. Order assemblies when possible.

<u>REF. NO.</u>	<u>PART NO.</u>	<u>DESCRIPTION</u>	<u>QTY.</u>
69	610-1059	INTERCOOLER,FINNED,W/FLARE NUTS,ASSY,W65	1 EA
70	610-1134	TUBE,BREATHER,COPPER,BENT,J&W PUMP,W18	1 EA
71	220-1043	HEAD,UNLOADING,EQ PUMP,CI,6HOLES,EQ80	1 EA
72	121-1015	ELBOW,MALE,BRASS,5/8-45SAEX1/2"NPTM	1 EA
73	610-1050	KIT,GASKET,W PUMP,ASSY,W100 SET INCLUDES 12, 2 OF 56, 2 OF 53, 46, 62	1 EA
74	610-1132	KIT,BASIC,REPAIR,W PUMP,W101 KIT INCLUDES (2) 78, 73, 79, 80, 81(3) 82(6)	1 EA
75	610-1133	KIT,BASIC,REPAIR,WU PUMP,WU101 SAME AS 73, W / (4) 88	1 EA
76	610-1028	PISTON,W/RINGS&PIN,ASSY,K132	3 EA
77	610-1013	PISTON,HIGH PSI,W/RINGS&PIN,ASSY,EQ132	1 EA
78	610-1020	KIT,PUMP,RING,PISTON,F&K&G&W PUMP,K133	2 EA
79	610-1045	PLATE,VALVE,W/VALVES,ASSY,L140 INSTALLED W / 53, 46 GASKET	1 EA
80	610-1052	PLATE,VALVE,RIGHT,W/VALVES,ASSY,W140 INSTALLED W / 53, 62 GASKETS	1 EA
81	610-1031	VALVE,CHECK,SUCTION,ASSY,K145	3 EA
82	610-1032	VALVE,CHECK,DISCHARGE,ASSY,K146	6 EA
83	610-1053	WEIGHT,UNLOADER,CENTRIFICAL,W/GSKT,W170 ASSY, W / GASKET,INCLUDES 12, 13, 14, 16, 17	1 EA
84	310-1016	VALVE,UNLOADER,CENTRIFICAL,ASSY,EQ174 ASSY. INCLUDES 20, 21, 22, 23, 24	1 EA
85	610-1054	UNLOADER,CENTRIFICAL,W/B CAP,ASSY,W175 ASSY. W / BEARING CAP, TUBING AND GASKET	1 EA
86*	310-1008	HEAD,UNLOADING,K&G,W/1/2"PRT 6 HLE,LU180 COMPLETE W / UNLOADERS ( RIGHT HEAD )	1 EA
86**	310-1013	HEAD UNLOADING,SVC REPLACEMENT,EQ180	1 EA



## Parts List for Model W & WU

NOTE: The quantity number indicates the total number of pieces required for a complete pump repair.  
When ordering parts give compressor model, serial number and part number. Order assemblies when possible.

<u>REF. NO.</u>	<u>PART NO.</u>	<u>DESCRIPTION</u> ( LEFT HEAD ) NEW AS OF 12/1/05	<u>QTY.</u>
87	610-1042	VALVE,UNLOADER,HEAD,PUMP,ASSY,KU181 INCLUDES 36,37, 38, 39, 40	1 EA

86\* for units built after serial #D110105001

86\*\* for units built before serial #D103105001