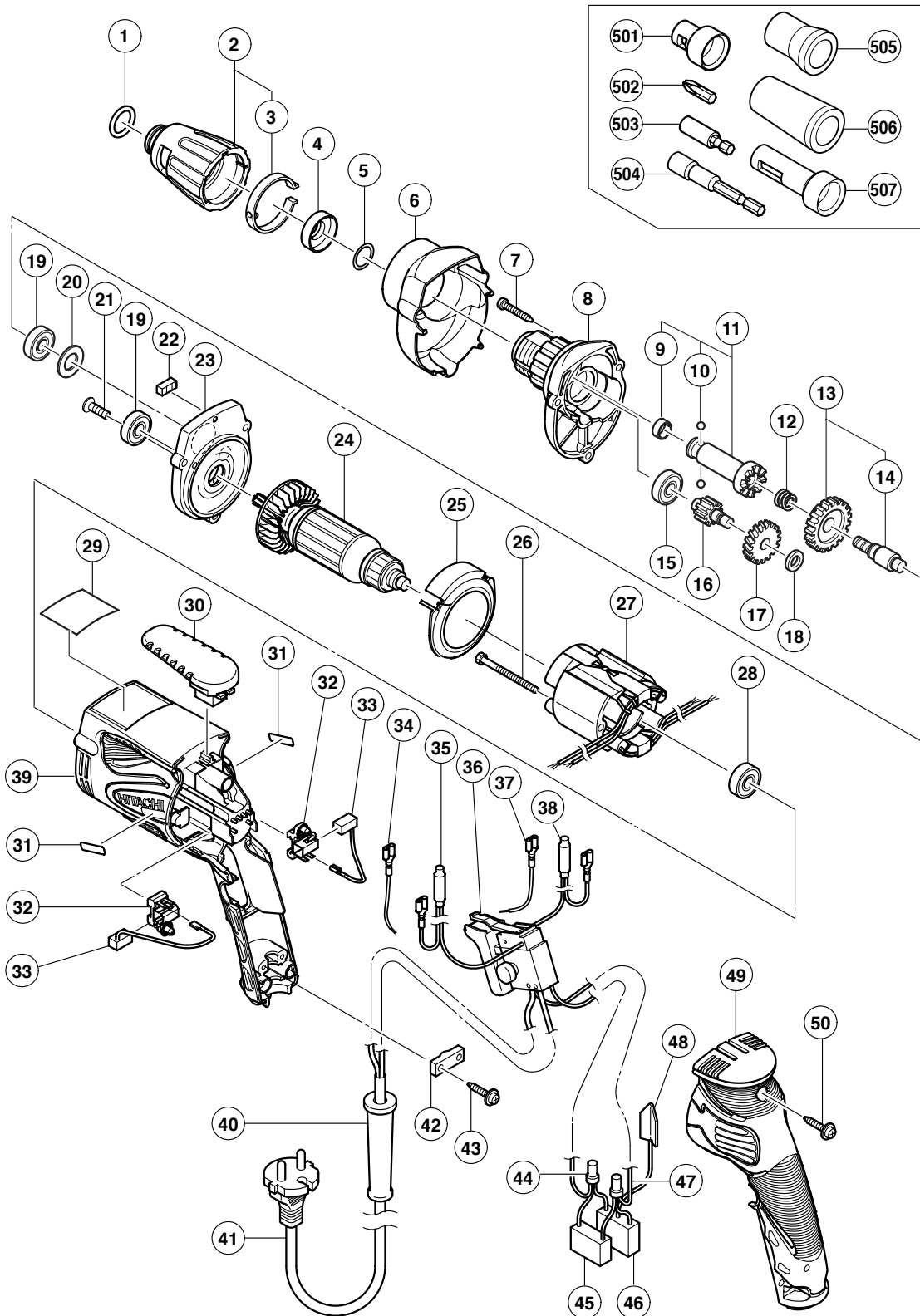


ELECTRIC TOOL PARTS LIST

■ SCREW DRIVER
Model W 6VB3

2004 · 8 · 25
(E1)



PARTS

W 6VB3

ITEM NO.	CODE NO.	DESCRIPTION	NO. USED	REMARKS
1	876-031	O-RING (S-16)	1	
2	323-487	LOCATOR ASS'Y	1	INCLUD. 3
3	323-488	CLICK SPRING	1	
4	971-468	FRINGER (A)	1	
5	317-662	O-RING (F)	1	
6	323-494	PROTECT COVER (B)	1	
7	321-057	TAPPING SCREW D4X25 (BLACK)	3	
8	323-498	GEAR COVER ASS'Y (B)	1	INCLUD. 5, 15
9	872-573	SET RING	1	
10	959-148	STEEL BALL D3.175 (10 PCS.)	2	
11	317-664	SOCKET (B) ASS'Y	1	INCLUD. 9, 10
12	306-024	SPRING	1	
13	317-771	GEAR ASS'Y	1	INCLUD. 14
14	307-340	GEAR SHAFT	1	
15	608-VVM	BALL BEARING 608VVC2PS2L	1	
16	317-770	SECOND PINION ASS'Y	1	INCLUD. 17
17	307-337	FIRST GEAR	1	
18	323-497	WASHER	1	
19	608-VVM	BALL BEARING 608VVC2PS2L	2	
20	933-545	WASHER (A)	1	
21	323-556	SLOTTED HD. SCREW (SEAL LOCK) M4X8	2	
22	323-557	FELT (A)	1	
23	323-493	INNER COVER ASS'Y (A)	1	INCLUD. 19-22
* 24	360-674	ARMATURE (D) 110V	1	
* 24	360-675U	ARMATURE ASS'Y (D) 120V	1	INCLUD. 19, 28
* 24	360-675E	ARMATURE (D) 220V-230V	1	
* 24	360-675F	ARMATURE (D) 240V	1	
25	323-472	FAN GUIDE	1	
26	961-672	HEX. HD. TAPPING SCREW D4X50	2	
* 27	340-599C	STATOR 110V-120V	1	
* 27	340-599E	STATOR 220V-240V	1	
28	608-VVM	BALL BEARING 608VVC2PS2L	1	
29		NAME PLATE	1	
30	323-471	HOOK	1	
31		HITACHI LABEL	2	
32	323-512	BRUSH HOLDER (A)	2	
33	999-091	CARBON BRUSH (AUTO STOP TYPE) (1 PAIR)	2	
* 34	323-567	INTERNAL WIRE (BROWN)	1	FOR SAU
* 35	323-566	CHOKE COIL (W/INTERNAL WIRE) BROWN	1	EXCEPT FOR SAU
36	323-479	SWITCH (1P PILLAR TYPE) W/LOCK	1	
* 37	323-569	INTERNAL WIRE (BLUE)	1	FOR SAU
* 38	323-568	CHOKE COIL (W/INTERNAL WIRE) BLUE	1	EXCEPT FOR SAU
39	323-483	HOUSING	1	
40	953-327	CORD ARMOR D8.8	1	
* 41	323-559	CORD (LENGTH 7.5M)	1	(CORD ARMOR D8.8)
* 41	323-562	CORD (LENGTH 7.5M)	1	(CORD ARMOR D8.8) FOR GBR (110V)
* 41	323-560	CORD (LENGTH 7.5M)	1	(CORD ARMOR D8.8) FOR GBR (230V)
* 41	323-561	CORD (LENGTH 7.5M)	1	(CORD ARMOR D8.8) FOR AUS
* 41	320-130	CORD (LENGTH 7.5M)	1	(CORD ARMOR D8.8) FOR USA, CAN
* 41	500-409Z	CORD	1	(CORD ARMOR D8.8) FOR SAU
42	937-631	CORD CLIP	1	

STANDARD ACCESSORIES

W 6VB3

ITEM NO.	CODE NO.	DESCRIPTION	NO. USED	REMARKS
* 501	323-352	SUB STOPPER (G)	1	FOR FRA, ITA, AUT, SAU
* 502	971-511Z	+ DRIVER BIT (A) NO.2 25L	1	FOR FRA, ITA, AUT, SAU
* 503	982-554Z	MAGNETIC BIT HOLDER (75L)	1	FOR FRG
* 503	317-674	MAGNETIC BIT HOLDER ASS'Y (41L)	1	INCLUD. 502 FOR FRA, ITA, AUT, SAU
* 504	985-322	MAGNETIC HEX. SOCKET 5/16"X65L	1	FOR FIN, AUS, GBR, USA, CAN
* 504	985-321	MAGNETIC HEX. SOCKET 10MMX65L	1	FOR HOL
* 505	317-671	SUB STOPPER (B) FOR H5/16 HEX. SOCKET	1	
* 505	317-670	SUB STOPPER (B) FOR H3/8, H10 HEX. SOCKET	1	FOR HOL
* 506	317-899	SUB STOPPER (D) FOR HEX. SOCKET	1	FOR FRA
* 507	323-351	SUB STOPPER (F)	1	FOR FRG

OPTIONAL ACCESSORIES

ITEM NO.	CODE NO.	DESCRIPTION	NO. USED	REMARKS
601	317-827	SUB STOPPER (B) H1/4 HEX. SOCKET	1	
602	985-326	NON-MAGNETIC HEX. SOCKET 3/8" 65L	1	
603	985-327	NON-MAGNETIC HEX. SOCKET 5/16" 65L	1	
604	985-328	NON-MAGNETIC HEX. SOCKET 1/4" 65L	1	
605	985-329	NON-MAGNETIC HEX. SOCKET 10MM 65L	1	
606	982-563Z	NON-MAGNETIC BIT HOLDER	1	
607	982-554Z	MAGNETIC BIT HOLDER (75L)	1	
608	985-333	+ DRIVER BIT NO. 1 25L	1	
609	971-512Z	+ DRIVER BIT (A) NO. 3 25L	1	
610	985-334	+ DRIVER BIT NO. 1 25L W/STEPPED ROD	1	
611	985-335	+ DRIVER BIT NO. 2 25L W/STEPPED ROD	1	
612	985-336	- DRIVER BIT 4MMX25	1	
613	985-337	- DRIVER BIT 5MMX25	1	
614	985-338	- DRIVER BIT 6MMX25	1	
615	985-339	- DRIVER BIT 8MMX25	1	
616	985-340	- DRIVER BIT 4MMX25 (W/STEPPED ROD)	1	
617	985-341	- DRIVER BIT 5MMX25 (W/STEPPED ROD)	1	
618	985-342	HEX. BIT 4MMX25L	1	
619	985-343	HEX. BIT 5MMX25L	1	
620	985-344	HEX. BIT 6MMX25L	1	
621	985-330	MAGNETIC HEX. SOCKET 3/8"X65L	1	
622	985-332	MAGNETIC HEX. SOCKET 1/4"X65L	1	
623	310-904	CASE	1	