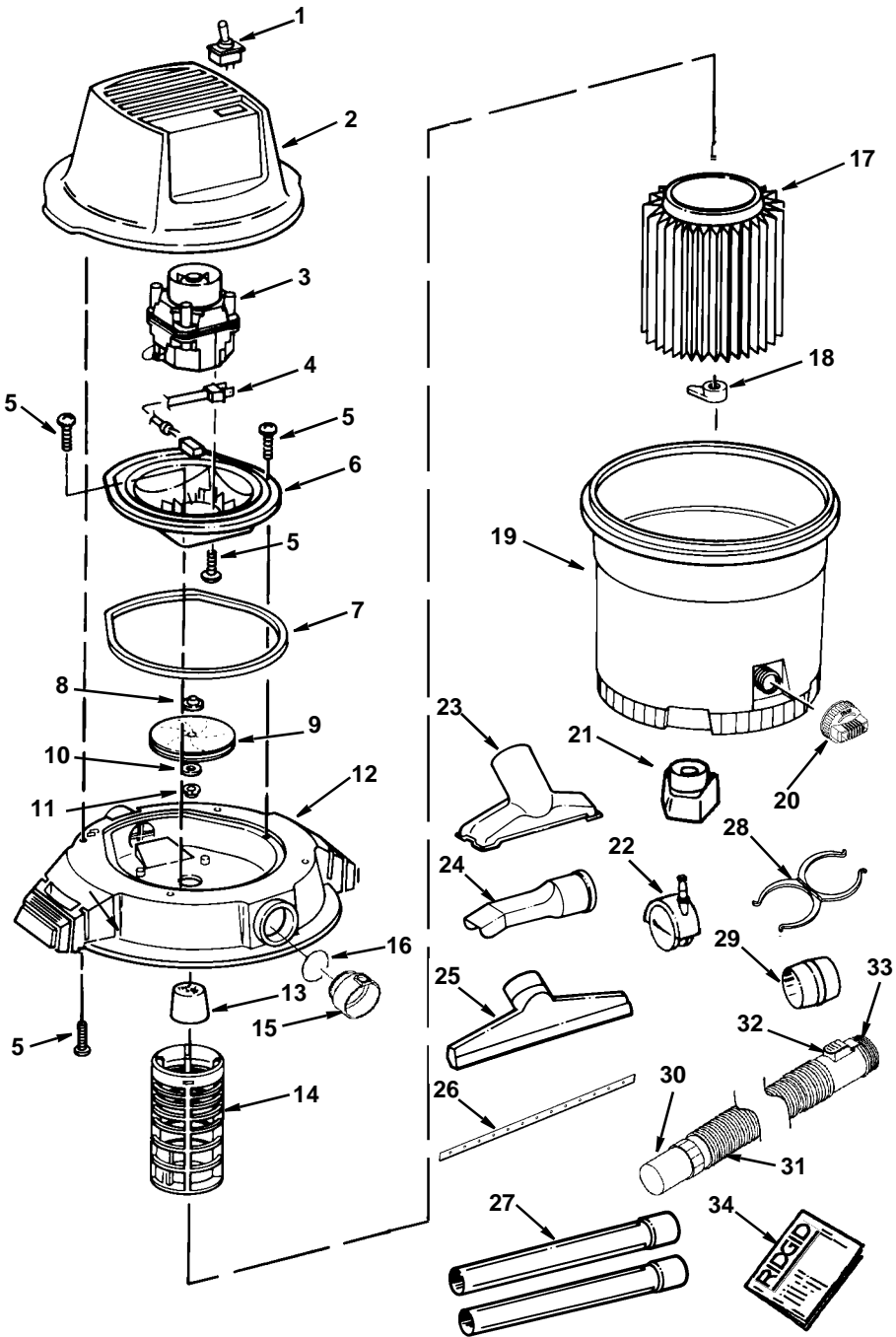


Repair Parts

Model Number WD16300

RIDGID parts are available on-line at www.ridgidparts.com



Repair Parts


16 U.S. Gallons Wet/Dry Vac Model Number WD16300

RIDGID parts are available on-line at www.ridgidparts.com

Always order by Part Number - Not by Key Number

WARNING

SERVICING OF DOUBLE-INSULATED WET/DRY VAC

In a double-insulated Wet/Dry Vac, two systems of insulation are provided instead of grounding. No grounding means is provided on a double-insulated appliance, nor should a means for grounding be added. Servicing a double-insulated Wet/Dry Vac requires extreme care and knowledge of the system, and should be done only by qualified service personnel. Replacement parts for a double-insulated Wet/Dry Vac must be identical to the parts they replace. Your double-insulated Wet/Dry Vac is marked with the words "DOUBLE INSULATED" and the symbol  (square within a square) may also be marked on the appliances.

Key No.	Model WD16300 Part No.	Description	Key No.	Model WD16300 Part No.	Description
1	73180	Toggle Switch	17	VF4000	† Filter
2	823684-6	Motor Cover	18	73316	Filter Nut
3	823682	Motor (Includes Blower Wheel)	19	826319	Dust Drum
4	822467-7	Cord w/plug	20	825881-2	Drain Cap
5	*	Screw, Pan Hd. Ty "AB" 10 x 3/4	21	818231	Caster Foot w/Storage
6	823685-4	Collector	22	822481	Caster Twin Wheel
7	818793	Lid Gasket	23	VT2509	† Utility Nozzle
8	818961	Spacer	24	VT2503	† Car Nozzle
9	818413-2	Blower Wheel	25	VT2510	† Wet Nozzle
10	15534-1	Washer	26	822256	Squeegee
11	73352	Nut, Hex Flange1/4-20	27	VT2508	† Extension Wands
12	823690-6	Lid	28	818230-1	Hose Lock
13	509488	Float	29	822482	Adapter Male/Male
14	823201-1	Filter Cage	30	815096	Adapter Hose
15	827596	Adapter Hoselock	31	826356-1	Hose (Includes Adapters & Spring Tab)
16	821421-10	Ring "O"	32	826355-1	Spring Tab
			33	826354	End Hose Interlock
			34	SP6248	Owners Manual

* Standard Hardware Item - May Be Purchased Locally

† These replacement parts are available where you purchased your vac.