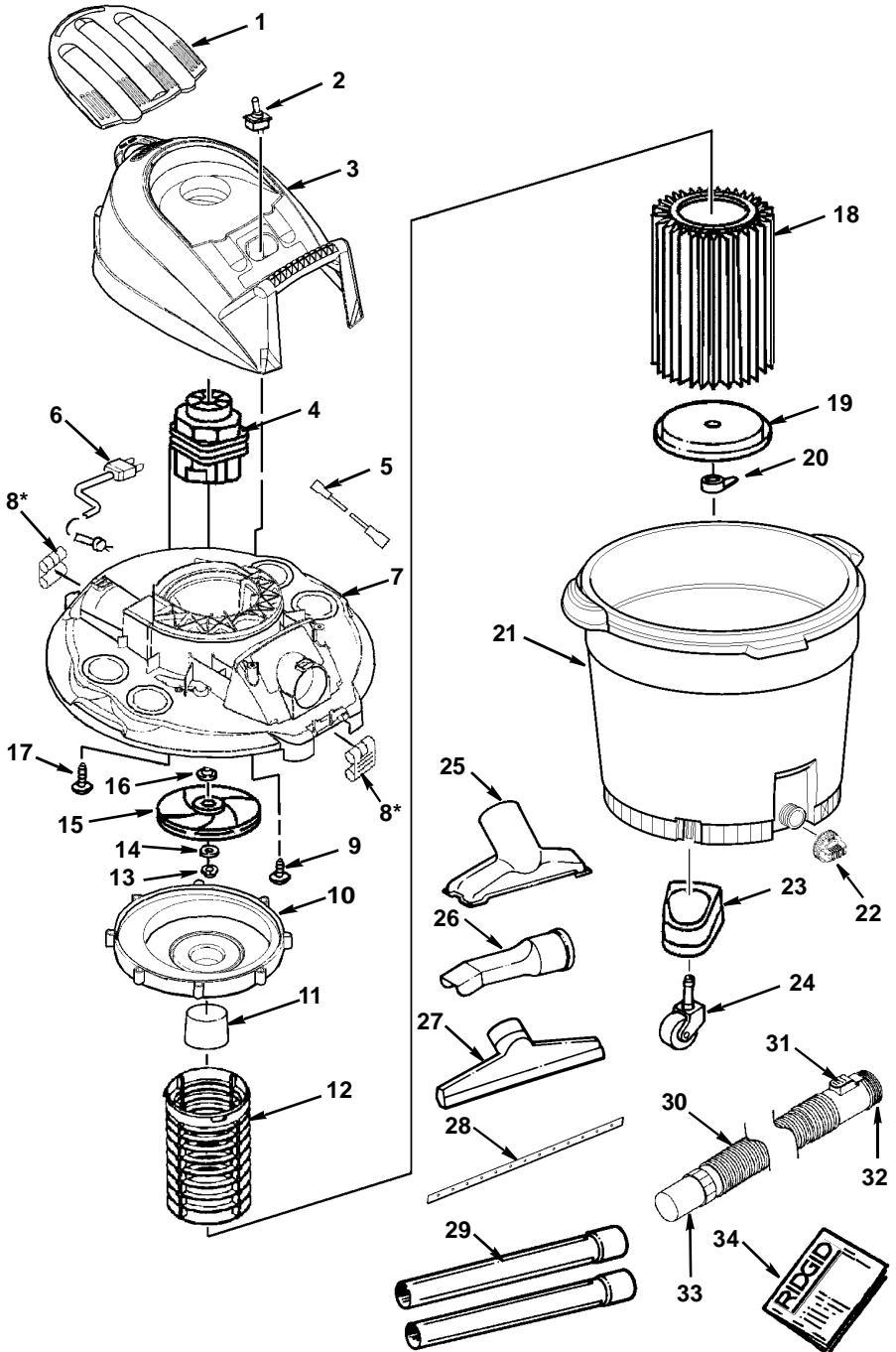


# Repair Parts

Model Number WD20600

RIDGID parts are available on-line at [www.ridgidparts.com](http://www.ridgidparts.com)




# Repair Parts

## 20 U.S. Gallons Wet/Dry Vac Model Number WD20600

RIDGID parts are available on-line at [www.ridgidparts.com](http://www.ridgidparts.com)

### WARNING

#### SERVICING OF DOUBLE-INSULATED WET/DRY VAC

In a double-insulated Wet/Dry Vac, two systems of insulation are provided instead of grounding. No grounding means is provided on a double-insulated appliance, nor should a means for grounding be added. Servicing a double-insulated Wet/Dry Vac requires extreme care and knowledge of the system, and should be done only by qualified service personnel. Replacement parts for a double-insulated Wet/Dry Vac must be identical to the parts they replace. Your double-insulated Wet/Dry Vac is marked with the words "DOUBLE INSULATED" and the symbol  (square within a square) may also be marked on the appliances.

Always order by Part Number - Not by Key Number

Key No.	Model WD20600 Part No.	Description
1	828830	Cap Trim
2	813213	Toggle Switch
3	828829	Motor Cover
4	829693	Motor (Includes Key No. 13 thru 16)
5	819260-2	Lead Asm
6	829718-2	Cord Asm
7	828831	Lid
8	826387	Drum Latch
9	820563-4	* Screw, Pan Hd. Ty "AB" 10 x 3/4
10	829692	Collector Asm
11	509488	Float
12	823201-1	Filter Cage
13	826817	Nut, Hex Flange 5/16-18
14	15534-1	Washer
15	818413-2	Blower Wheel
16	818961	Spacer
17	820563-5	* Screw, Pan Hd. Ty "AB" 10 x 1-1/4
18	VF4000	† Filter
19	73317	Filter Plate
20	73316	Filter Nut
21	830113	Dust Drum
22	825881-2	Drain Cap
23	828833	Caster Foot w/Storage
24	73102	Caster
25	VT2509	† Utility Nozzle
26	VT2503	† Car Nozzle
27	VT2510	† Wet Nozzle (Includes Key No. 28)
28	822256	Squeegee
29	VT2508	† Extension Wands
30	826356-1	Hose Asm (Includes Key Nos 31, 32, 33)
31	826355-1	Spring Tab
32	826354	End Hose Interlock
33	815096	Adapter Hose
34	SP6484	Owners Manual

\* Standard Hardware Item - May Be Purchased Locally

† These replacement parts are available where you purchased your vac.