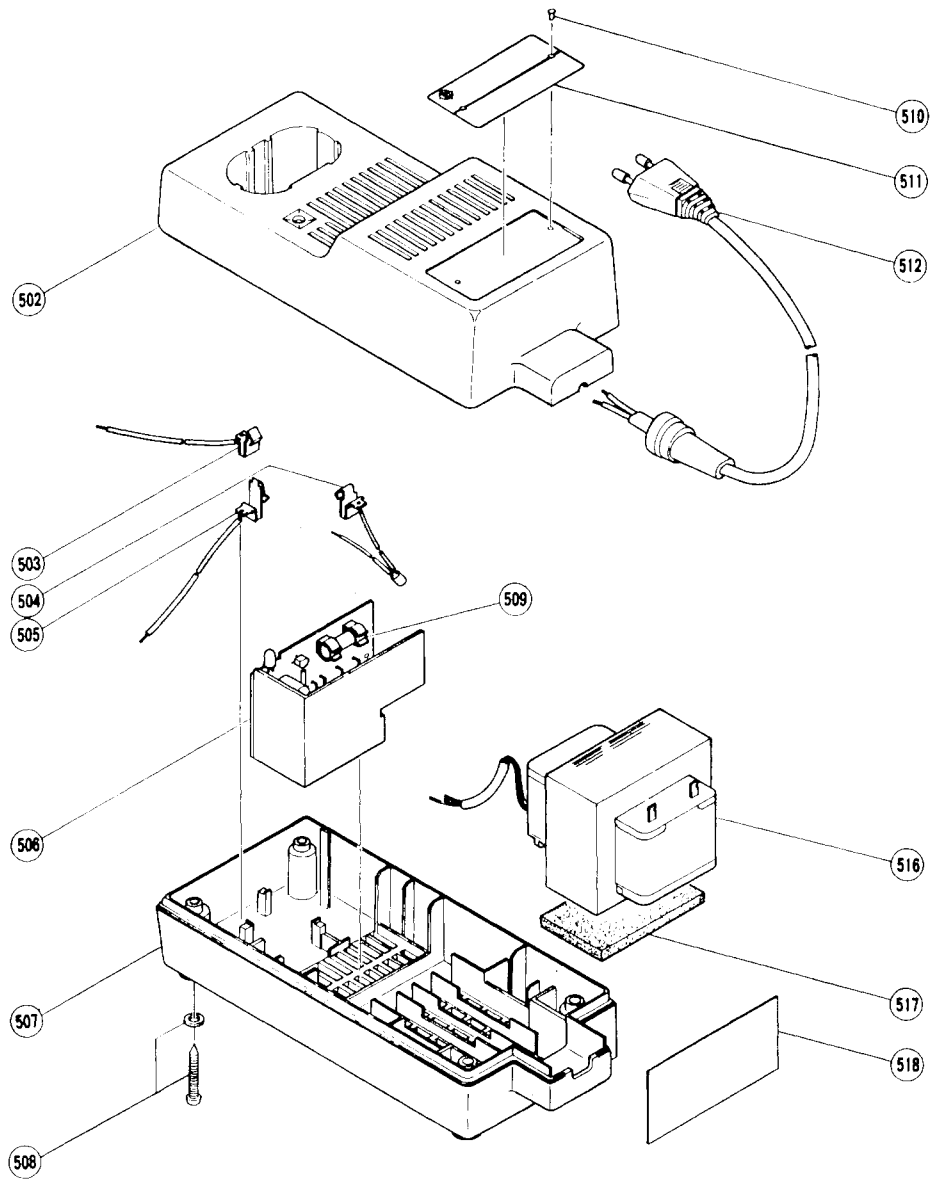


ITEM NO.	PART NO.	NO. USED	DESCRIPTION	SUPPLY Q'TY	ITEM NO.	PART NO.	NO. USED	DESCRIPTION	SUPPLY Q'TY
1	996146	4	Tapping Screw D4×30 w / Spring Washer		16	991455	1	Washer (C)	
2	996112	1	Hammer Case		17	6001CM	1	Ball Bearing 6001CM	
3	996111	1	Washer (A)		18	996103	1	Inner Cover	
4	996121	1	Anvil (Pin,O-ring Type)		19	876078	1	O-Ring (S-20)	
5	959154	2	Steel Ball D5.55	10	20	996101	1	Motor Assembly (includes Item 21,29)	
6	996108	1	Hammer Assembly (includes Item 7,9)		21	996114	1	Internal Wire (B)	
7	959148	21	Steel Ball D3.17	10	22	996102	1	Rubber Ring	
8	996109	1	Spring Seat		23	300207	1	Housing Set (old 996158)	
9	996110	1	Retaining Ring		24	-	1	Name Plate	
10	996107	1	Spring		25	930446	3	Tapping Screw D4×16 W / Washer	
11	996106	1	Washer (B)		27	980834	1	Seal	
12	996105	1	Spindle		28	995426	1	Switch (old 996115)	
13	991448	2	Idle Gear		29	996113	1	Internal Wire (B)	
14	991449	2	Needle Roller		30	958715	2	Tapping Screw D4×10	
15	996104	1	Ring Gear						



ITEM NO.	PART NO.	NO. USED	DESCRIPTION	SUPPLY Q'TY	ITEM NO.	PART NO.	NO. USED	DESCRIPTION	SUPPLY Q'TY
31	996118	2	Holder Spring		506	991794Z	1	Print Board Assembly (includes Item 509)	
32	996116	1	Terminal		507	991784	1	Case (B)	
33	996119	1	Terminal Piece		508	982095	4	Tapping Screw D4×20 W / Washer	
34	996117	1	Terminal		509	991807	1	Fuse	
35	991644Z	1	Battery EB9		510	949510	2	Rivet D2.5×4.8	10
36	987679	1	HITACHI Label		511	—	1	Name Plate	
501	—		Charger (Model UC9) includes Item 503–518 Depending on Order Spec.		512	984431Z	1	Cord	
502	991781	1	Case (A)		516	991808	1	Transformer	
503	991797	1	Terminal (A)		517	984404	1	Cushion	
504	991801	1	Thermo Fuse		518	991802	1	Plate	
505	991798	1	Terminal (B)		519	301845	1	Case (old 995315)	