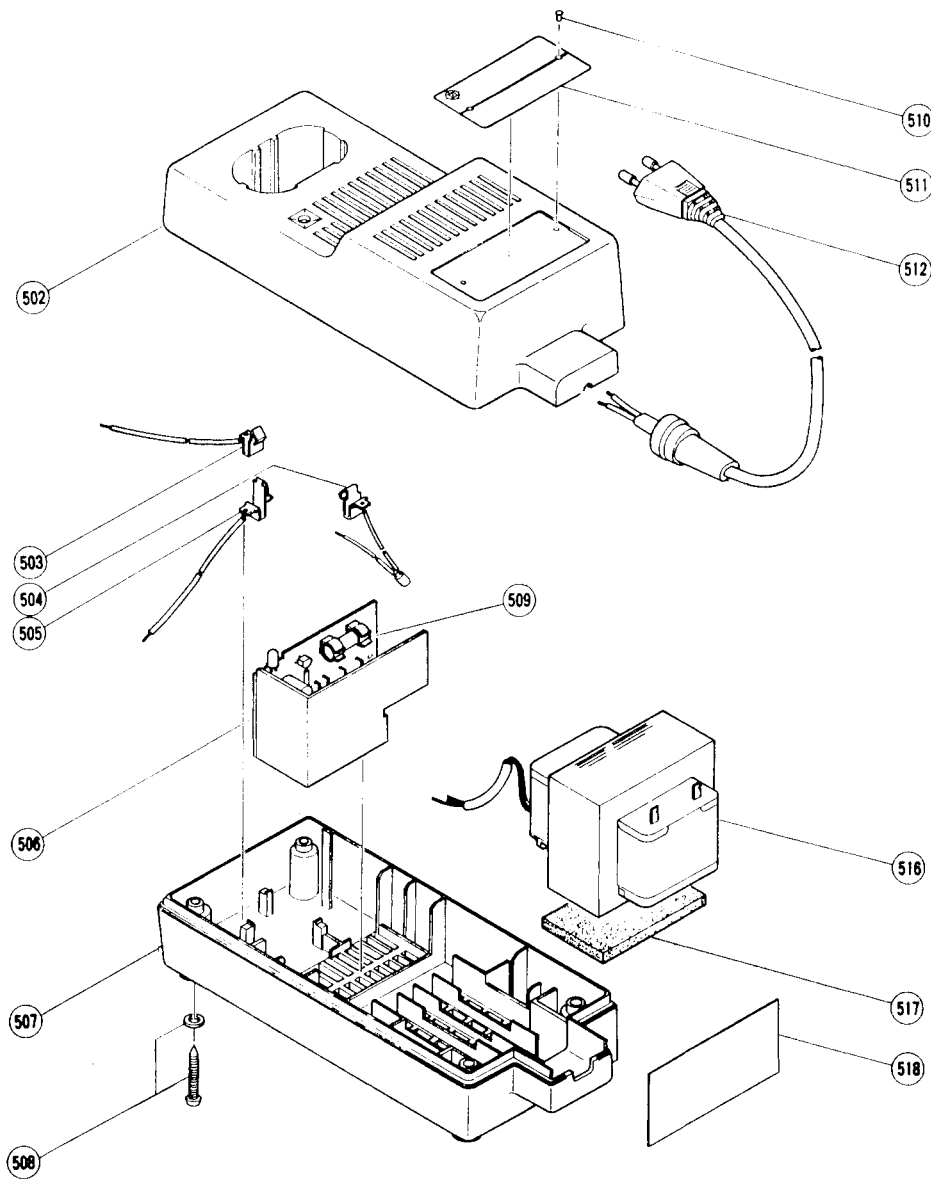


ITEM NO.	PART NO.	NO. USED	DESCRIPTION	SUPPLY Q'TY	ITEM NO.	PART NO.	NO. USED	DESCRIPTION	SUPPLY Q'TY
1	995933	1	Retaining Ring		16	996105	1	Spindle	
2	995932	1	Guide Sleeve		17	991448	2	Idle Gear	
3	995931	1	Guide Spring		18	991449	2	Needle Roller	
4	996170	1	Washer (D)		19	996104	1	Ring Gear	
5	996146	4	Tapping Screw D4×30 w / Spring Washer		20	991455	1	Washer (C)	
6	996112	1	Hammer Case		21	6001CM	1	Ball Bearing 6001CM	
7	996111	1	Washer (A)		22	996103	1	Inner Cover	
8	959148	23	Steel Ball	10	23	876078	1	O-Ring S-20	
9	996172	1	Anvil (D)		24	996101	1	Motor Assembly (includes Item 25,33)	
10	959154	2	Steel Ball D5.55	10	25	996114	1	Internal Wire (B)	
11	996108	1	Hammer Assembly (includes Item 8,12,13)		26	996102	1	Rubber Ring	
12	996109	1	Spring Seat		27	300207	1	Housing Set (old 996158)	
13	996110	1	Retaining Ring		28	—	1	Name Plate	
14	996107	1	Spring		29	930446	3	Tapping Screw D4×16 w / Washer	
15	996106	1	Washer (B)						



ITEM NO.	PART NO.	NO. USED	DESCRIPTION	SUPPLY Q'TY	ITEM NO.	PART NO.	NO. USED	DESCRIPTION	SUPPLY Q'TY
31	980834	1	Seal		504	991801	1	Thermo Fuse	
32	995426	1	Switch (old 996115)		505	991798	1	Terminal (B)	
33	996113	1	Internal Wire (B)		506	991794Z	1	Print Board Assembly (includes Item 509)	
34	958715	2	Tapping Screw D4×10		507	991784	1	Case (B)	
35	996118	2	Holder Spring		508	982095	4	Tapping Screw D4×20 w / Washer	
36	996116	1	Terminal		509	991807	1	Fuse	
37	996119	1	Terminal Piece		510	949510	2	Rivet D2.5×4.8	10
38	996117	1	Terminal		511	—	1	Name Plate	
39	991644Z	1	Battery		512	984431Z	1	Cord	
40	987679	1	HITACHI Label		516	991808	1	Transformer	
501	—	—	Charger (Model UC9) includes Item 502 – 518)		517	984404	1	Cushion	
502	991781	1	Case (A)		518	991802	1	Plate	
503	991797	1	Terminal (A)		519	301845	1	Case (old 995315)	