

**Repair Parts**

---

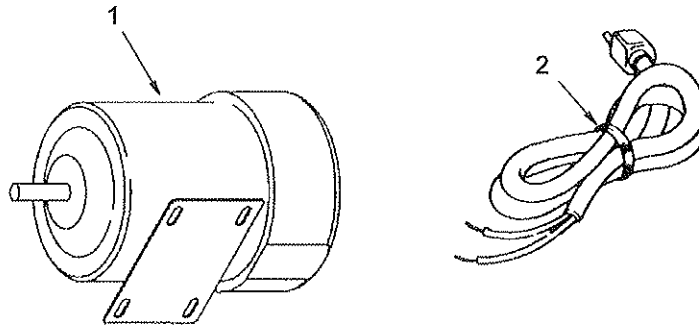
**RIDGID 12" Wood Lathe**

**Model No. WL1200LS1**

**Figure 1**

**NOTE:** Any attempt to repair this motor may create a hazard unless repair is done by qualified service technician.

Repair service is available at an Authorized Service Center.



Always order by Part Number -- Not by Key Number

Key No.	Part No.	Description
1	828929	Motor
2	830177	Cord, Motor



## Repair Parts

### RIDGID 12" Wood-Turning Lathe Model No. WL1200LS1 Figure 2

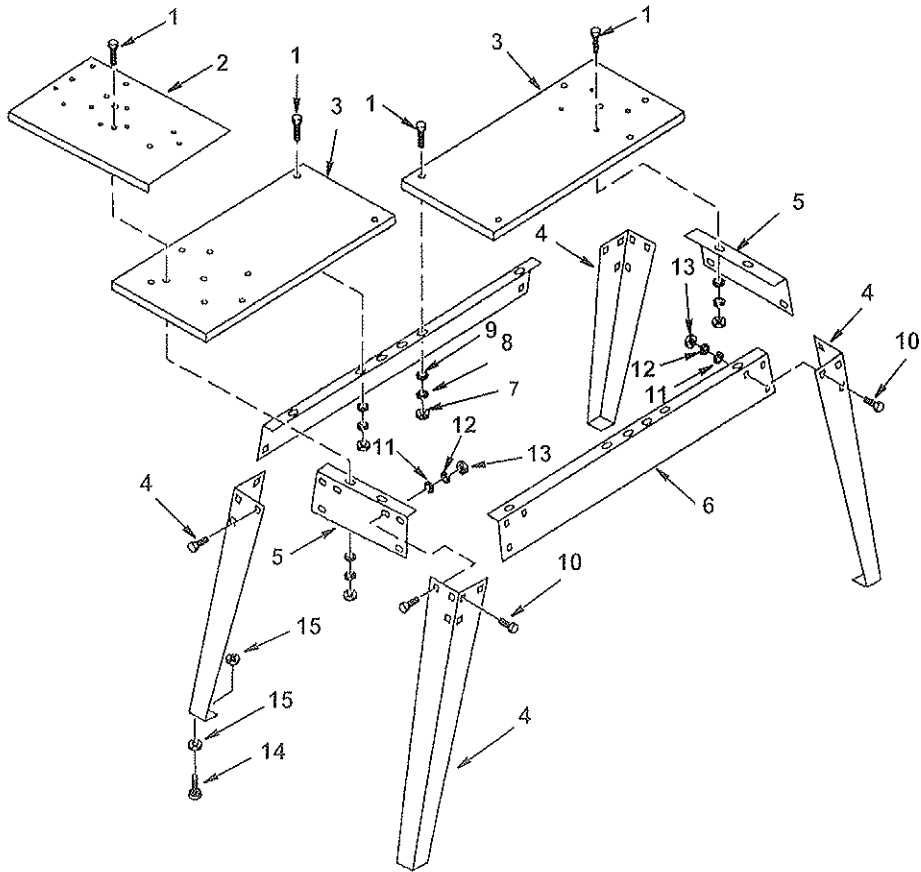
Always order by Part Number -- Not by Key Number

Key No.	Part No.	Description	Key No.	Part No.	Description
1	826550	Headstock	38	826586	* Screw, Pan Hd Ty T M5 x 0.8-12
2	826564	Plunger	39	826606	Box, Junction
3	813249-54	Pin, Roll 2.5-12	40	813314-8	* Lockwasher, Ext M5
4	826563	Spring	41	824026-4	* Nut, Hex M4 x 0.7
5	826562	Housing, Plunger	42	829787	Switch, Locking
6	826584	Center, Point	43	826122	Key Switch
7	826582	Center, Spur	44	817450-7	* Screw, Pan Hd Ty T M4 x .7-8
8	816989	Nut, Hex 3/4-16	45	826396	Bezel, Switch
9	826553	Spindle	46	60341	Outlet
10	826552	Bearing, Ball	47	826599	Guard Asm.
11	826551	Ring, Retaining	48	See Fig. 1	Motor
12	820377-2	Bolt, Carriage M6 x 1.0-65	49	826572	Pulley, 4 Step
13	826560	Wheel, Hand	50	830245	* Screw, Soc Set M8 x 1.25-8
14	828268	Housing, Tailstock	51	SP6489	Operator's Manual
15	826591	Stud, Nut	52	SP6489S	Operator's Manual - Spanish
16	826592	Lever	53	SP6489F	Operator's Manual - French
17	817449-1	Nut, Lock M6 x 1.0	54	826556	Pulley, 4 Step
18	826587	* Screw, Pan Hd. M8 x 1.25-45	55	818826-6	* Lockwasher M6
19	826577	Foot, Rear	56	813163-6	* Lockwasher Int M4
20	820258-4	Nut, Sq. M8 x 1.25	57	820249-6	* Screw, Hex Hd M6 x 1.0-12
21	828180	Screw, SI Set M8 x 1.25-31.75	58	820377-1	Bolt, Cup Hd Sq Neck M6 x 1.0-45
22	820326-7	* Nut, Hex M8 x 1.25	59	820238-7	* Washer, M6
23	826559	Spindle, Tailstock	60	830245	* Screw, Soc Set M8 x 1.25-8
24	AC8020	Center, Live	61	826554	Collar
25	826574	Rest, 12" Tool	62	821750	* Screw, Hex Head M10 x 1.5-30
26	826575	Holder, Tool Rest	63	826605	Plate, Guard
27	826576	Clamp, Support	64	826590	Shoe, Lock
28	826571	Tube Asm	65	826593	Stud, Nut
29	808644	* Belt, V 1/2 x 37	66	830244	Relief, Strain
30	816743-4	* Screw, Pan Cr M4 x 0.7-8	67	826569	Bracket, Plate
31	813317-7	Wrench, Hex L. M4	68	818826-4	* Lockwasher, M4
32	826570	Rest, 6" Tool	69	828217	* Nut, Acorn M4
33	826601	Knob, Guard	70	AC8060	Faceplate, 6 In.
34	826607	Cord w/Plug			
35	63418	Clamp, Cord			
36	816743-4	* Screw, Pan Hd M4 x 0.7 x 8			
37	820236-6	Nut Hex M6 x 1.0			

\* Standard Hardware Item - May Be Purchased Locally

RIDGID 12" Wood-Turning Lathe  
Model No. WL1200LS1

Figure 2



**Repair Parts**

---

**RIDGID 12" Wood-Turning Lathe**

**Model No. WL1200LS1**

**Figure 3**

**Always order by Part Number -- Not by Key Number**

Key No	Part No.	Description
1	820377-1	Bolt, Rd. Hd. Sq. Neck M6 x 1.0-45
2	826579	Plate, Support
3	826619	Board, Wood Lathe
4	826890	Leg
5	826581	Support, End
6	826580	Support, Side
7	817449-1	* Nut, Hex M6 x 1.0
8	818826-6	* Lockwasher, M6
9	820238-7	* Washer, M6
10	821103	Bolt, Rd. Hd. Sq. Neck M8 x 1.25-16
11	821063-2	* Washer, M8 x 16 x 1.6
12	818826-7	* Lockwasher, M8
13	820236-7	* Nut, Hex M8
14	803835-1	Foot, Leveling
15	805483	* Nut, Hex Jam 3/8-16

\* Standard hardware item - may be purchased locally.