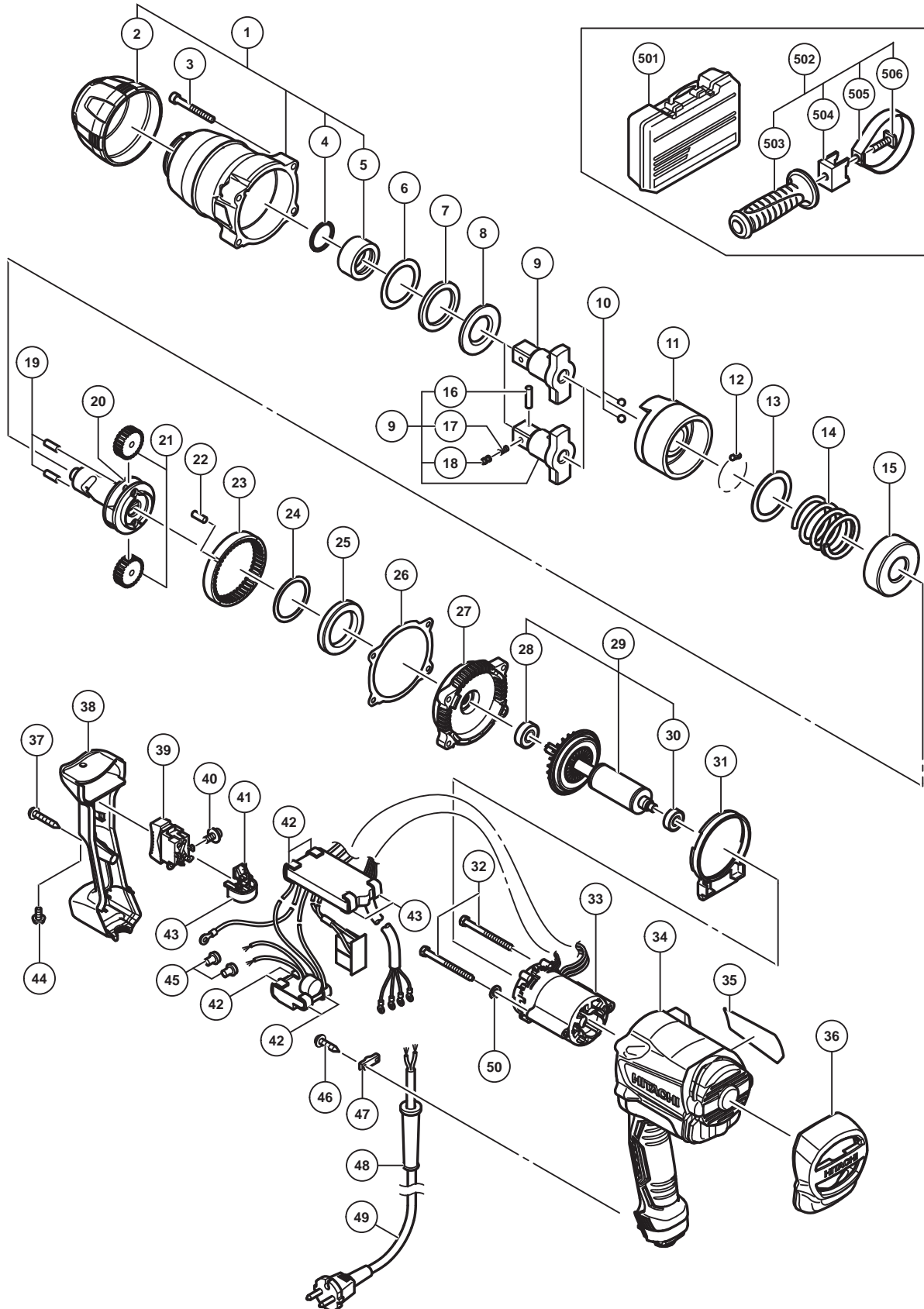


## ELECTRIC TOOL PARTS LIST

### ■ IMPACT WRENCH Model WR 22SE

2015-1-20  
(E1)



## PARTS

WR 22SE

ITEM NO.	CODE NO.	DESCRIPTION	NO. USED	REMARKS
1	337849	HAMMER CASE (D) ASS'Y	1	INCLUD.2,4,5
2	337850	BUMPER (D)	1	
3	323994	SEAL LOCK HEX. SOCKET HD. BOLT M5 X 45	4	
4	971028	O-RING (P-28)	1	
5	337851	METAL (F)	1	
6	338357	WASHER (D)	1	
7	338356	DAMPER (D)	1	
8	337848	WASHER (F)	1	
* 9	324013	ANVIL (A)	1	
* 9	324021	ANVIL (B) ASS'Y	1	INCLUD.16-18 FOR AUS,USA,CAN
10	959151	STEEL BALL D7.14 (10 PCS.)	2	
11	338358	HAMMER (D)	1	
12	959155	STEEL BALL D3.97 (10 PCS.)	38	
13	324004	HAMMER WASHER	1	
14	324002	SPRING	1	
15	324001	SPRING SEAT	1	
* 16	949507	ROLL PIN D2 X 14 (10 PCS.)	1	FOR AUS,USA,CAN
* 17	992571	SPRING	1	FOR AUS,USA,CAN
* 18	992572	PLUNGER	1	FOR AUS,USA,CAN
19	971016	GEAR SHAFT	2	
20	324003	SPINDLE	1	
21	318448	IDLE GEAR SET (2 PCS.)	2	
22	991449	NEEDLE ROLLER	1	
23	985303	RING GEAR	1	
24	337847	WASHER (E)	1	
25	337846	METAL (E)	1	
26	337842	PACKING (D)	1	
27	337845	INNER COVER (D)	1	
28	6000DD	BALL BEARING 6000DDCMPS2L	1	
29	360990	ROTOR ASS'Y (D)	1	INCLUD.28,30
30	333945	BALL BEARING 608VV	1	
31	337844	FAN GUIDE (D)	1	
32	960108	HEX. HD. TAPPING SCREW D4 X 60	2	
* 33	340897C	STATOR CONTROLLER (D) SET 110V	1	
* 33	340897D	STATOR CONTROLLER (D) SET 120V-127V	1	
* 33	340897E	STATOR CONTROLLER (D) SET 220V-230V	1	
* 33	340897F	STATOR CONTROLLER (D) SET 240V	1	
34	338355	HOUSING (D)	1	
35		NAME PLATE	1	
36	337843	TAIL BUMPER (D)	1	
37	303694	TAPPING SCREW (W/FLANGE) D4 X 35 (BLACK)	1	
38	337841	HANDLE COVER (D)	1	
39	337202	SWITCH	1	
40	980060	MACHINE SCREW (W/WASHER) M3.5 X 5	4	
41	323768	SWITCH ADAPTER	1	
42	338354	CUSHION RUBBER 45 X 10 X 3	6	
43	338353	CUSHION RUBBER 30 X 10 X 3	3	
44	338500	BUTTON BOLT M4	1	
45	959140	CONNECTOR 50091 (10 PCS.)	2	
46	984750	TAPPING SCREW (W/FLANGE) D4 X 16	2	



**STANDARD ACCESSORIES**

WR 22SE

ITEM NO.	CODE NO.	DESCRIPTION	NO. USED	REMARKS
501	338326	CASE	1	
502	338327	SIDE HANDLE ASS'Y	1	INCLUD.503-506
503	330209	SIDE HANDLE	1	
504	323775	HANDLE HOLDER	1	
505	338498	HANDLE RING	1	
506	980903	SQUARE BOLT M8	1	

**OPTIONAL ACCESSORIES**

ITEM NO.	CODE NO.	DESCRIPTION	NO. USED	REMARKS
601	874535	EXTENSION BAR ASS'Y (SQUARE) 19.0MM X 150L	1	INCLUD.602,603
602	874524	SOCKET RING	1	
603	874525	SOCKET PIN	1	
604	955088	UNIVERSAL JOINT ASS'Y	1	INCLUD.602,603
605	955091	UNIVERSAL JOINT PIN	1	
606	986004	ADAPTER ASS'Y 12.7MM	1	INCLUD.602,603
607	874527	HEX. SOCKET ASS'Y 23MM X 55L	1	INCLUD.602,603
608	874528	HEX. SOCKET ASS'Y 24MM X 55L	1	INCLUD.602,603
609	874529	HEX. SOCKET ASS'Y 26MM X 55L	1	INCLUD.602,603
610	874530	HEX. SOCKET ASS'Y 27MM X 55L	1	INCLUD.602,603
611	874532	HEX. SOCKET ASS'Y 30MM X 55L	1	INCLUD.602,603
612	874523	HEX. SOCKET ASS'Y 32MM X 55L	1	INCLUD.602,603
613	874533	HEX. SOCKET ASS'Y 35MM X 55L	1	INCLUD.602,603
614	874534	HEX. SOCKET ASS'Y 36MM X 55L	1	INCLUD.602,603
615	955028	HEX. SOCKET ASS'Y (LONG) 17MM X 60L	1	INCLUD.602,603
616	955029	HEX. SOCKET ASS'Y (LONG) 19MM X 60L	1	INCLUD.602,603
617	955030	HEX. SOCKET ASS'Y (LONG) 21MM X 60L	1	INCLUD.602,603
618	955031	HEX. SOCKET ASS'Y (LONG) 22MM X 60L	1	INCLUD.602,603
619	955033	HEX. SOCKET ASS'Y (LONG) 24MM X 60L	1	INCLUD.602,603
620	955034	HEX. SOCKET ASS'Y (LONG) 26MM X 85L	1	INCLUD.602,603
621	955035	HEX. SOCKET ASS'Y (LONG) 27MM X 85L	1	INCLUD.602,603
622	955037	HEX. SOCKET ASS'Y (LONG) 30MM X 85L	1	INCLUD.602,603
623	955038	HEX. SOCKET ASS'Y (LONG) 32MM X 100L	1	INCLUD.602,603
624	955092	HEX. SOCKET ASS'Y (LONG) 36MM X 100L	1	INCLUD.602,603